

User Manual

Commander T Series

Models: T82, T82 Europe, T90,
Gasoline, Lpg & Diesel



PowerBoss, Inc.
A Member Of The Hako Group

PREFACE

Thank you for your purchase of the now industry standard for sweepers. PowerBoss takes great pride in offering the most dependable, reliable and best value in industrial power sweepers and sweeper / scrubbers. We set the standard.

Our Publishing Department would like to hear from you. If you see any errors, omissions or something that needs clarification in this User Manual please let us know. We are working hard toward perfection in our corner of the process to bring you the best you can buy. Please copy the form below, fill out and comment on how you found our catalog.

Thank you.

*Name _____

*Title: _____

*Company Name: _____

*Address: _____

*Country: _____

Type of equipment or model number: _____

Comments:

*Information is optional.

Please return to:

Manager, Publishing Department, International
PowerBoss, Inc.
175 Anderson Street
Aberdeen, North Carolina 28315 USA

Phone (800) 982-7141 Toll Free
(910) 944-2105 Local

E-Mail - techsupport@powerboss.com

This is the User Manual for the PowerBoss Commander T Series Sweeper Scrubber.

This manual covers all Standard Commander T Series machine variations beginning May 2009.

We believe this machine will provide excellent service for many years.

However, the best results will be obtained if:

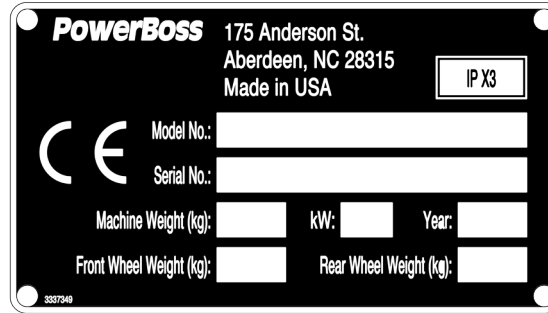
- The machine is operated with reasonable care.
- The machine is maintained regularly per the maintenance schedule provided in the User Manual.
- The machine is maintained with PowerBoss Inc. supplied or equivalent parts.

All right side and left side references to the machine (except for engine) are determined by facing the direction of forward travel. The front of the engine or engine fan faces the rear of the machine. Some hardware considered to be common or locally available has been omitted from the parts section to make this manual clear. Be sure to use equivalent hardware when replacement becomes necessary.

The Model and Serial Number of your machine is shown on the I.D. name plate. This information is needed when contacting Technical Support or when ordering parts. The I.D. plate is mounted on the console of the machine left of the operator and adjacent the main broom adjustment access door.

Parts may be ordered by phone, fax or e-mail from any PowerBoss parts and service center. Before ordering parts or supplies, be sure to have your machine model number and serial number handy. For your convenience Fill out the data block below for future reference.

Example I.D Plate;



MACHINE DATA
Fill out at installation

Serial Number: _____

Engine Serial Number: _____

Sales Rep.: _____

Date of Install: _____

All information contained in this catalog is current at the time of printing However, PowerBoss reserves the right to make changes at any time without notice.

©2010, PowerBoss, Inc., Printed in USA

TECHNICAL SPECIFICATIONS

Model Commander T Series

Model No. TSS90DSL / TSS90DSLBR / TSS90LP / TSS90LPBR / 3333780 / 3333780BR / TSS82DSLCE / TSS82LPCE

DIMENSIONS & WEIGHT

	T82 & T82 Europe	T90
Length	120.5 inches (306 cm)	.123 inch (312 cm)
Width	56 inch (142 cm)	.62 inch (158 cm)
Height	57 inch (145 cm)	.63 inch (160 cm)
Height w/ overhead guard . . .	87 inch (221 cm)	.87 inch (221 cm)
Height w/ cab.	83.5 inch (212 cm)	.83.5 inch (212 cm)
Weight	2900 lbs (1315 kg)	.3400 lbs (1542 kg)
Minimum U-turn.	120 inch (305 cm)	.126 inch (320 cm)

SCRUBBING SYSTEM

Scrub path	42 inch (107 cm)	.48 inch (122 cm)
Scrub deck pressure	300 lbs (136 kg)	.300 lbs (136 kg)
Brush speed	250 rpm	.250 rpm
Solution tank capacity	68 gal (257 L)	.100 gal (378.5 L)
Recovery tank capacity	65 gal (246 L)	.100 gal (378.5 L)
Squeegee width.	50 inch (127 cm)	.50 inch (127 cm)

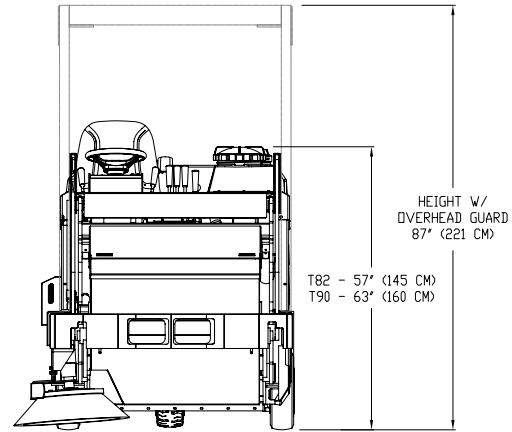
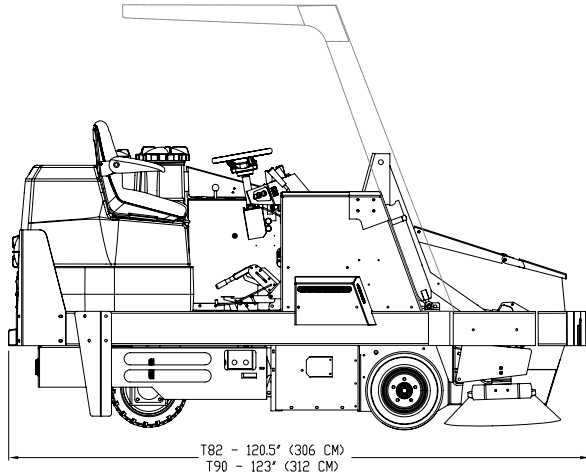
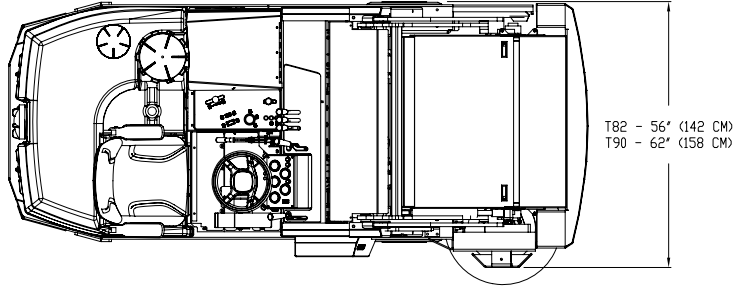
SWEEPING SYSTEM

	T82 & T82 Europe	T90
Sweep path	54 inch (137 cm)	.60 inch (152 cm)
Main broom	42 inch (107 cm)	.48 inch (122 cm)
Side broom	24 inch (61 cm)	.24 inch (61 cm)
Hopper type.	high dump	.high dump
Hopper volume	14 cu ft	.16 cu ft
Hopper load capacity.	1000 lbs (454 kg)	.1200 lbs (544 kg)
Dust control	100 sq ft	.100 sq ft
High dump	60 inch (152 cm)	.60 inch (152 cm)
RTR (rotary trash relocation). .	yes	.yes

OTHER SPECIFICATIONS

	T82 & T82 Europe	T90
Noise Level	84.5 dBA	.84.5 dBA

TECHNICAL SPECIFICATIONS



CE DECLARATION OF CONFORMITY

COMMANDER T82

- D** EG-Konformitätserklärung (entsprechend der EG-Richtlinie 2006/42/EG)
- GB** EC Declaration of Conformity (according to Directive 2006/42/EC)
- F** Déclaration de conformité pour la CEE (conforme à la directive de la CEE 2006/42/CEE)
- I** Dichiarazione CE di Conformità (ai sensi della direttiva CEE 2006/42)
- E** CEE Declaración de Conformidad (según la normativa de la CEE 2006/42/CE)

PowerBoss Inc. erklären in alleiniger Verantwortung, daß das Produkt,
declare under our sole responsibility, that the product,
déclarons sous notre seule responsabilité que le produit,
Dichiara sotto la propria responsabilità che il prodotto,
declaramos bajo responsabilidad propia que el producto,

Machine

Commander T82 LP (TSS82LPCE)
Commander T82 DSL (TSS82DSLCE)

D auf das sich diese Erklärung bezieht, den einschlägigen grundlegenden Sicherheits- und Gesundheitsanforderungen der EG-Richtlinie 2006/42/EG, sowie den Anforderungen gemäß 2004/108/EG entspricht. Zur sachgerechten Umsetzung der in den EG-Richtlinien genannten Sicherheits- und Gesundheitsanforderungen wurde(n) folgende Norm(en) und /oder technische Spezifikation(en) herangezogen:

GB to which this declaration relates corresponds to the relevant basic safety and health requirements of the Directive 2006/42/EC, and to the requirements of the other relevant Directives 2004/108/EC. For the relevant implementation of the safety and health requirements mentioned in the Directives, the following standard(s) and/or technical specification(s) has (have) been respected:

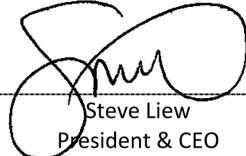
Faisant l'objet de la déclaration est conforme aux prescriptions fondamentales en matière de sécurité et de santé stipulées dans la Directive de la CEE 2006/42/CEE, ainsi qu'aux prescriptions des autres Directives de la CEE établies dans ce domaine 2004/108/CEE. Pour mettre en pratique dans les règles de l'art les prescriptions en matière de sécurité et de santé stipulées dans les Directives de la CEE, il a été tenu compte de la/des norme(s) et/ou de la/des spécification(s) technique(s) suivante(s):

Il est conforme ai requisiti essenziali di sicurezza e di tutela della salute di cui alla Direttiva CEE 2006/42 e sue successive modifiche, nonché ai requisiti di cui alle seguenti Direttive CEE 2004/108. Per la verifica della Conformità di cui alle Direttive sopra menzionate, sono state consultate le seguenti, Norme Armonizzate EN:

El cual se refiere la presente declaración corresponde a las exigencias básicas de la normativa de la CEE 2006/42/CE y referentes a la seguridad y a la sanidad, así como a las exigencias de la demás normativas de la CEE 2004/108/CE. Con el fin de realizar de forma adecuada las exigencias referentes a la seguridad y a la sanidad mencionadas en las normativas de la CEE fué(ron) consultada(s) la(s) siguiente(s) normativa(s) y especificación(es) técnicas(s):

EN 60335-2-72, EN 55012, EN 61000-6-2

Date 5/19/2010



Steve Liew
President & CEO

Name der autorisierten Person, die für PowerBoss die technischen Unterlagen zusammenstellt:

Name of the person authorized for PowerBoss to compile the technical file:

Personne chargée du suivi du dossier technique:

Nome della persona autorizzata da PowerBoss a compilare il file tecnico:

Nombre de la persona autorizada por PowerBoss para la creación del fichero técnico:

Jeff Pollack

TABLE OF CONTENTS

PREFACE 2

TECHNICAL SPECIFICATIONS 6

 DIMENSIONS & WEIGHT 6

 SCRUBBING SYSTEM 6

CE DECLARATION OF CONFORMITY 8

 COMMANDER C82 8

FEATURES 15

 AIR-MOVING SYSTEM 15

 ERGONOMICS SYSTEM 15

 DEBRIS-HANDLING SYSTEM 15

 DRIVE-TRAIN SYSTEM 15

 CHASSIS SYSTEM 15

 ENVIRONMENTAL FRIENDLY FEATURES 16

 WATER CONSERVATION 16

 CLEAN AIR 16

 LOWER EMISSIONS 16

 SAFER WORK ENVIRONMENT 16

 CLEAN ENERGY 16

 CLEAN ENERGY 16

SAFETY INFORMATION 17

 IMPORTANT SAFETY INSTRUCTIONS 17

 FOR SAFETY DURING OPERATION 17

 FOR SAFETY WHEN SERVICING OR
 MAINTAINING MACHINE 18

 SAFETY SYMBOLS 18

 SAFETY DECALS 19

BASIC POWERBOSS® SAFETY 22

MACHINE OPERATION 25

BASIC OPERATING CONTROLS AND INDICATORS 25

 IGNITION SWITCH 25

 HORN 25

 LIGHT SWITCH 25

 HOUR METER 25

 ENGINE COOLANT TEMPERATURE GAUGE 25

 ENGINE OIL PRESSURE 25

 VOLTMETER AMP GAUGE 25

 FUEL LEVEL GAUGE 25

 THROTTLE (DIESEL) 26

 GLOW PLUG BUTTON (DIESEL ONLY) 26

MURPHY SWITCH (DIESEL ONLY)	26	DEBRIS HOPPER DUMP CONTROLS	34
SEAT ADJUSTMENT	26	HIGH DUMP	34
PARKING BRAKE	26	Lever 1	34
BRAKE	26	Lever 2	34
THROTTLE (GAS AND LP)	28	HOPPER UNLOCK BUTTON	34
CHECK ENGINE INDICATOR (GAS AND LP ONLY)	28	ROTARY TRASH RELOCATOR (RTR™)	34
SPEED LIMITER	28	HOPPER FILTER SHAKER BUTTON	34
SWEEPING / SCRUBBING CONTROLS AND INDICATORS	30	FIRE IN THE HOPPER INDICATOR (OPTIONAL)	34
BROOM CONTROL LEVER	30	CLOGGED FILTER INDICATOR (OPTIONAL)	35
MAIN BROOM HANDLE	30	OPERATING PROCEDURES	36
SIDE BROOM HANDLE	30	PRE-OPERATION CHECKS	36
SCRUB HEAD SWITCH	32	STARTING	36
SCRUB DECK GAUGE	32	Gasoline or LP Power Units	36
IMPELLER LEVER	32	Diesel Power Units	37
IMPELLER STOP CONTROL	32	TRAVELING FORWARD OR BACKWARDS	37
SQUEEGEE SWITCH	32	Forward	37
SOLUTION LEVER	32	Reverse	37
SOLUTION TANK EMPTY INDICATOR	32	SLOWING AND STOPPING	37
RECOVERY TANK FULL INDICATOR	32	SWEEPING	38
		EMPTYING THE HOPPER WITH HIGH DUMP FEATURE	38

USING THE ROTARY TRASH RELOCATOR
(RTR™) 40

TO SHAKE THE FILTER 41

FIRE IN THE HOPPER 41

SCRUBBING 42

 Operating the Scrub Brushes 42

 Starting Solution Flow 42

 Lower The Squeegee 42

FILLING THE SOLUTION TANK 43

DRAINING THE RECOVERY TANK 44

CLEANING THE RECOVERY TANK 44

SQUEEGEE WAND (OPTION) 45

BLOWER (OPTION) 46

TRANSPORTING THE MACHINE 46

 Using a Trailer or Transport Vehicle 46

 Pushing the Machine 46

PREVENTATIVE MAINTENANCE 47

INTRODUCTION 47

SCHEDULED MAINTENANCE CHART 48

PREVENTATIVE MAINTENANCE INSTRUCTIONS 52

 ENGINE 52

 Air Intake System 52

 Check Air Filter Service Indicator 52

 Air Filter Element Removal 53

 Air Filter Cleaning 54

 Air Filter Inspection 54

 Air Filter Installation 54

 ELECTRICAL SYSTEM 55

 Battery Cleaning 55

 Battery Replacement 55

 Circuit Breaker 56

 Fuses 56

 FUEL SYSTEM 57

COOLANT SYSTEM.....	58	SWEEP COMPONENTS	64
Blowing Out Radiator Fins	58	Broom Door Flap Inspection	64
Reverse Flow Flushing.....	58	Broom Door Flap Replacement and Adjustment	64
LUBRICATION.....	59	Main Broom Pattern Check	65
Changing Engine Oil	59	Main Broom Height Adjustment	66
LUBRICATION POINTS	59	Main Broom Taper Adjustment	67
Steering Fork Assembly and Steering Link		Main Broom Replacement	68
Ball Joints.....	59	Side Broom Angle Adjustment	69
Steering Cylinder	60	Side Broom Height (Wear) Adjustment	70
Latches & Hinges.....	60	Side Broom Lift Cable Adjustment	71
Hopper Lift Arm Mounts	60	Side Broom Replacement	71
HYDRAULICS SYSTEM.....	62	SCRUB & WATER PICK-UP COMPONENTS.....	72
Filling The Fluid Reservoir	62	Scrub Brush Replacement.....	72
Hydraulic Fluid Viscosity Specifications	62	Scrubhead Gauge Adjustment	73
Maintaining Hydraulic Oil Cooler Efficiency	62		
Changing The Hydraulic Fluid	62		
Changing The Hydraulic Fluid Filter.....	63		

MAIN SQUEEGEE COMPONENTS	74	PARKING BRAKE	82
CHECKING and Adjusting the Rear Main Squeegee Flare	74	Adjusting The Parking Brake Cable Length	83
Turning or Replacing the Rear Squeegee Blade.	76	Cable Adjustment for Standard brake	83
Main Squeegee Tool Removal	76	CHANGING SOLID TIRES	84
Main Squeegee Tool Installation	77	Front Tire	84
Inner Squeegee Replacement	77	Rear Tire	84
Auto Squeegee Lift Mechanism	77	MISCELLANEOUS ADJUSTMENTS	84
HOPPER	78	Anti-Static Chain Adjustment	84
Hopper Filter Removal	78	Latch and Hinge Maintenance	84
Hopper Filter Cleaning	79	Cables	84
Hopper Filter Replacement	79	TROUBLESHOOTING	85
Flap Replacement	80	TROUBLESHOOTING CHART.	85
Frame Seal Replacement	80		
Front Frame Seal	80		
Side Frame Seal.	80		
Floor Clearance	81		
Vacuum Gasket Mount Adjustment	82		

FEATURES

AIR-MOVING SYSTEM

- Dual-phase dust filtration
- Built-in pre-filtering & ultra-fine screen panel filters for dust control
- Aggressive electric filter shakers
- Shock-mounted hydraulic impeller
- Engine area shielded from exhaust air
- Dust Control Filter: 100 Sq. Ft. total
- Timed Electric Filter Shakers
- Clogged Filter Indicator
- Fire-in-hopper Indicator

ERGONOMICS SYSTEM

- Roomy, open cockpit with extra comfort
- Adjustable, high-back seat with arm rests
- Power steering
- Comfortable pedal/controls placement
- Full instrumentation for all functions

DEBRIS-HANDLING SYSTEM

- Direct throw sweeping method
- Oversized hopper with RTR®
- Quick-change, floating 48" main broom & retractable side brooms
- Dual-performance sweep mode
- Multi-Level Hopper Dumping

DRIVE-TRAIN SYSTEM

- Industrial liquid-cooled engine
- Heavy-duty radiator & Tri-phase air cleaner
- Hydraulics protection package
- 4-Core Radiator
- Industrial smooth ride tires for traction and reliability

CHASSIS SYSTEM

- Massive One-Piece, unitized steel frame

ENVIRONMENTAL FRIENDLY FEATURES

WATER CONSERVATION

Aqua-Stop saves water usage by 50%, water is released through a pump system providing greater control of water usage than gravity systems

CLEAN AIR

High-performance filter system dramatically reduces the release of dust and debris back into the air, dust vacuum ensures that dust is put directly into the hopper, bristle pattern on main broom increases dust control.

LOWER EMISSIONS

All gas and LP engines meet Tier 2 specifications, catalyst mufflers, battery operated available, diesel operated available, bio-diesel fuel can be used in Kubota engine

SAFER WORK ENVIRONMENT

Orange machines are highly visible to others in the workplace, simple controls reduce operator error, one-button scrub, horn, fire in hopper indicator, effective braking system, “belly bar” prevents operator from being pinned behind machine when in reverse, parabolic squeegee picks up all water leaving the scrub path virtually dry for traffic,

seat equipped with safety shut-off switch, also available: overhead guard, back-up alarm, warning beacon

CLEAN ENERGY

Bio-diesel fuel can be used in Kubota engines

CLEAN ENERGY

Aqua-Stop saves chemical usage by 50%, pump system for water and chemical release allows for better control of chemical usage, chemical metering system is available as an option and regulates chemical usage to the correct dose.

SAFETY INFORMATION

IMPORTANT SAFETY INSTRUCTIONS

Operators must read and understand this manual before operating or maintaining this machine.

Do not operate this machine in flammable or explosive areas.

This machine is designed solely for removing dirt, dust and debris in an outdoor or indoor environment. PowerBoss does not recommend using this machine in any other capacity.

The following information below may cause a potential hazard to the operator and equipment. Read this manual carefully and be aware when these conditions can exist. Take necessary steps to locate all safety devices on the machine and train the personnel operating the machine. Report any machine damage or faulty operation immediately. Do not use machine if it is not in proper operating condition.

FOR SAFETY DURING OPERATION

Keep hands and feet clear of moving parts while machine is in operation.

Make sure all safety devices are in place and operate properly. All covers, doors and latches must be closed and fastened before use.

During operation, attention should be paid to other persons in the work area and especially if small children are present.

Components can cause an explosion when operated near explosive materials or vapor. Do not operate this machine near flammable materials such as solvents, thinners, fuels, grain dust, etc.

Store or park this machine on a level surface only. To prevent unauthorized use, machine should be stored or parked with the key removed.

This machine is designed for level operation only. Do not operate on ramps or inclines greater than 2%.

This machine is not suitable for picking up hazardous dusts.

Use caution when moving this machine into areas that are below freezing temperatures.

FOR SAFETY WHEN SERVICING OR MAINTAINING MACHINE

Stop on level surface.

Disconnect the power to the machine when servicing.

Avoid moving parts. Do not wear loose jackets, shirts, or sleeves when working on machine.

Avoid contact with battery acid. Battery acid can cause burns. When working on or around batteries, wear protective clothing and safety glasses. Remove metal jewelry. Do not lay tools or metal objects on top of battery.

Authorized personnel must perform repairs and maintenance. Use PowerBoss supplied replacement parts.

SAFETY SYMBOLS

Five symbols are used throughout this manual to emphasize various levels of safety information. These symbols and the meaning of each are listed below.

DANGER

To warn of immediate hazards which will result in severe personal injury or death

WARNING

To warn of hazards or unsafe practices which could result in severe personal injury or death.

CAUTION

To warn of hazards or unsafe practices which could result in minor personal injury.

ATTENTION!

To warn of practices which could result in extensive equipment damage.

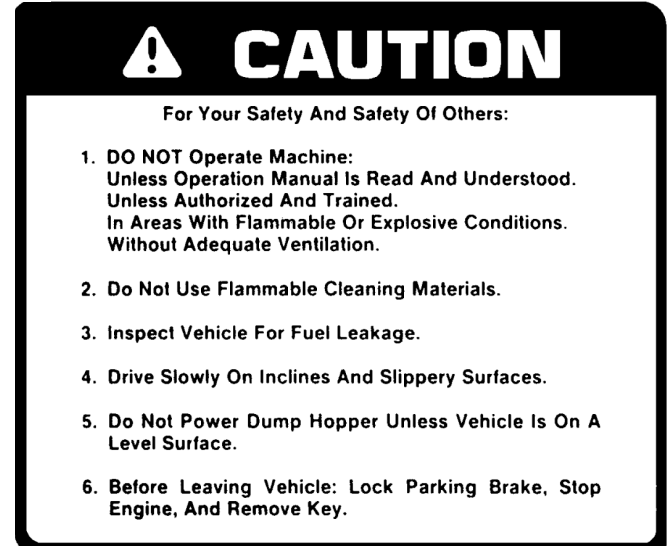
NOTE: To direct your attention to important equipment information or special instructions for preventing damage to equipment

Symbols at the top of the list are the strongest warnings. However, all symbols represent important information which should be observed to protect you and others from harm and injury, and to prevent damage to the equipment.

SAFETY DECALS

Decals directly attached to various parts of the unit are highly visible safety reminders which should be read and observed. Make sure the decals are replaced if they become illegible or damaged.

Located in the drive compartment:
Part Number 301854

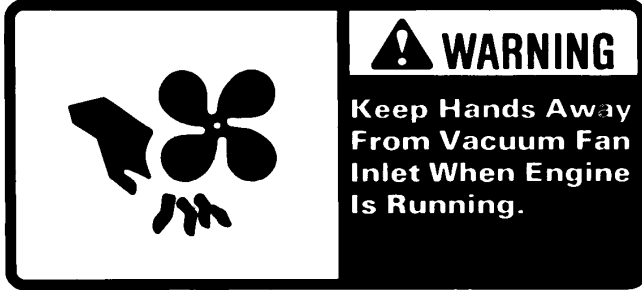


! **CAUTION**

For Your Safety And Safety Of Others:

- 1. DO NOT Operate Machine:**
Unless Operation Manual Is Read And Understood.
Unless Authorized And Trained.
In Areas With Flammable Or Explosive Conditions.
Without Adequate Ventilation.
- 2. Do Not Use Flammable Cleaning Materials.**
- 3. Inspect Vehicle For Fuel Leakage.**
- 4. Drive Slowly On Inclines And Slippery Surfaces.**
- 5. Do Not Power Dump Hopper Unless Vehicle Is On A Level Surface.**
- 6. Before Leaving Vehicle: Lock Parking Brake, Stop Engine, And Remove Key.**

Located at the Impeller:
Part Number 301729



Located on the Secondary Lift Arm:
Part Number 301732



Located on the shroud of the radiator:
Part Number 301733



Located on the shroud of the radiator:
Part Number 301728



Located on the shroud of the radiator:
Part Number 301730



Located on the Lift Arm:
Part Number 301731



BASIC POWERBOSS® SAFETY

PowerBoss® sweeper scrubbers should never be operated unless:

1. The operator is trained and authorized to operate the equipment and,
2. The equipment is free of malfunctions. Malfunctioning equipment should be removed from service.

⚠ DANGER

Keep cigarettes, matches and all other flame sources away from the sweeper. Gasoline, LP gas and diesel fuel are highly flammable. Lead acid batteries are equally dangerous due to the highly explosive hydrogen gas they emit.

⚠ WARNING

Do not operate an LPG powered sweeper when any component in the fuel system is malfunctioning or leaking.

⚠ WARNING

Before starting the engine, make sure that:

- * **You have read and understand the User Manual**
- * **You are securely seated in the operator's seat.**
- * **The parking brake is locked.**
- * **The directional control pedal is in neutral.**
- * **The throttle is in idle.**
- * **Hydraulic controls are in the OFF position.**

⚠ WARNING

During operation:

- * **Keep your hands and body clear of moving parts, especially when the hopper or lift arms are partially or fully raised.**
- * **Make sure others in the area stay clear of the equipment and moving parts.**
- * **Never attempt to dump debris from a dock or mezzanine. Dump from ground level only.**

⚠ WARNING

When leaving the sweeper unattended:

- * Place the controls in the OFF position.
- * Set the parking brake.
- * Shut off the engine.

⚠ WARNING

When servicing or repairing the fuel system:

- * Work in a properly ventilated area, do not smoke or allow an open flame near the fuel system.
- * Never bypass safety components unless you are testing them.
- * Never bypass the fuel filter lock, except when testing them (and always reconnect them after testing).
- * Wear gloves to disconnect the tank coupling.

⚠ WARNING

During cleaning and maintenance:

- * Always stop the engine and set the parking brake before servicing.
- * Never use detergents or cleansers that are flammable or combustible.
- * Never inflate a pneumatic tire without using a safety cage.
- * Do not attempt any impeller adjustment unless you have shut off the engine. Never place your hands near the intake hoses or inlet when the engine is running.
- * Always engage the safety arm before servicing the hopper. Do not rely on the hydraulic cylinder to keep the hopper raised.
- * Never test for hydraulic hose leaks using your hand or any other part of your body. High pressure leaks can be very dangerous and should only be checked using a piece of paper.

⚠ WARNING

Replace any defective safety components before operating the sweeper.

⚠ CAUTION

Do not drive with the hopper in the raised position except the few feet necessary to position the hopper over the dumpster or receptacle. Driving with the hopper raised reduces visibility and creates conditions for striking over-head objects, throwing the machine off-balance and other hazards.

⚠ CAUTION

Travel slowly on grades.

⚠ CAUTION

Place a block or chock behind the wheels when parking on inclines.

⚠ CAUTION

Use special care when traveling on wet surfaces.

⚠ CAUTION

Observe all proper procedures for operation and maintenance of the unit, as outlined in this manual.

⚠ CAUTION

Remain alert at all times to people and equipment in and around your area of operation.

ATTENTION!

Do not operate the #2 RTR lever before the #1 light illuminates.

ATTENTION!

Never push or tow a machine faster than 6 mph.

ATTENTION!

Engage tow valve before towing or pushing.

MACHINE OPERATION

BASIC OPERATING CONTROLS AND INDICATORS

Location of controls and indicators vary on engine type and options purchase. Some of the controls and indicator may not be on you unit.

IGNITION SWITCH

The three position key switch is used to turn the machine's power on and off. The ignition switch is located on the right side of the instrument panel next to the horn.

HORN

The horn is activated by pressing the horn button located on the right side of the instrument panel. Next to the ignition switch.

LIGHT SWITCH

The light switch located in the upper right of the control panel above the steering wheel. The light switch turn on and off the lights.

OUR METER

The hour meter records the number of hours the machine has been operated, providing a helpful guide for performing routine maintenance tasks.

ENGINE COOLANT TEMPERATURE GAUGE

The engine coolant temperature gauge registers the temperature of the engine coolant. Temperatures above 220°F indicate an overheating engine.

ENGINE OIL PRESSURE

The engine oil pressure gauge ranges from 0 psi to 60 psi. A reading below 7 psi indicates problems which may result in damage to the engine.

VOLTMETER AMP GAUGE

A battery gauge is used on LP & Gasoline units. It indicates the voltage being sent to the battery by the alternator. 13.5v is normal. An Amp. Gauge is used on diesel units, It indicates a charge or discharge of current to the battery.

FUEL LEVEL GAUGE

The fuel gauge indicates the amount of fuel remaining in the tank for gasoline & diesel units.

THROTTLE (DIESEL)

The throttle adjusts the engine speed from idle to the operating speed.

1. Press the button and pull the throttle out for normal operation to ensure proper broom speed.
2. Press the button and push the throttle in for idle speed.

GLOW PLUG BUTTON (DIESEL ONLY)

The glow plug button, when depressed will aid in cold starting. The diesel V1505 is equipped with 4 glow plugs. The ignition switch must be turned to the IGN position before pressing the glow plug button. Press and hold the glow plug button for 10 to 20 seconds before starting the engine.

MURPHY SWITCH (DIESEL ONLY)

In the event that the engine water temperature rises above 226 degrees or oil pressure drops below 7 psi, this switch will pop out and shut the engine off.

CAUTION

When the Murphy switch is tripped, it indicates a service issue that requires maintenance. Do not attempt to restart the engine.

SEAT ADJUSTMENT

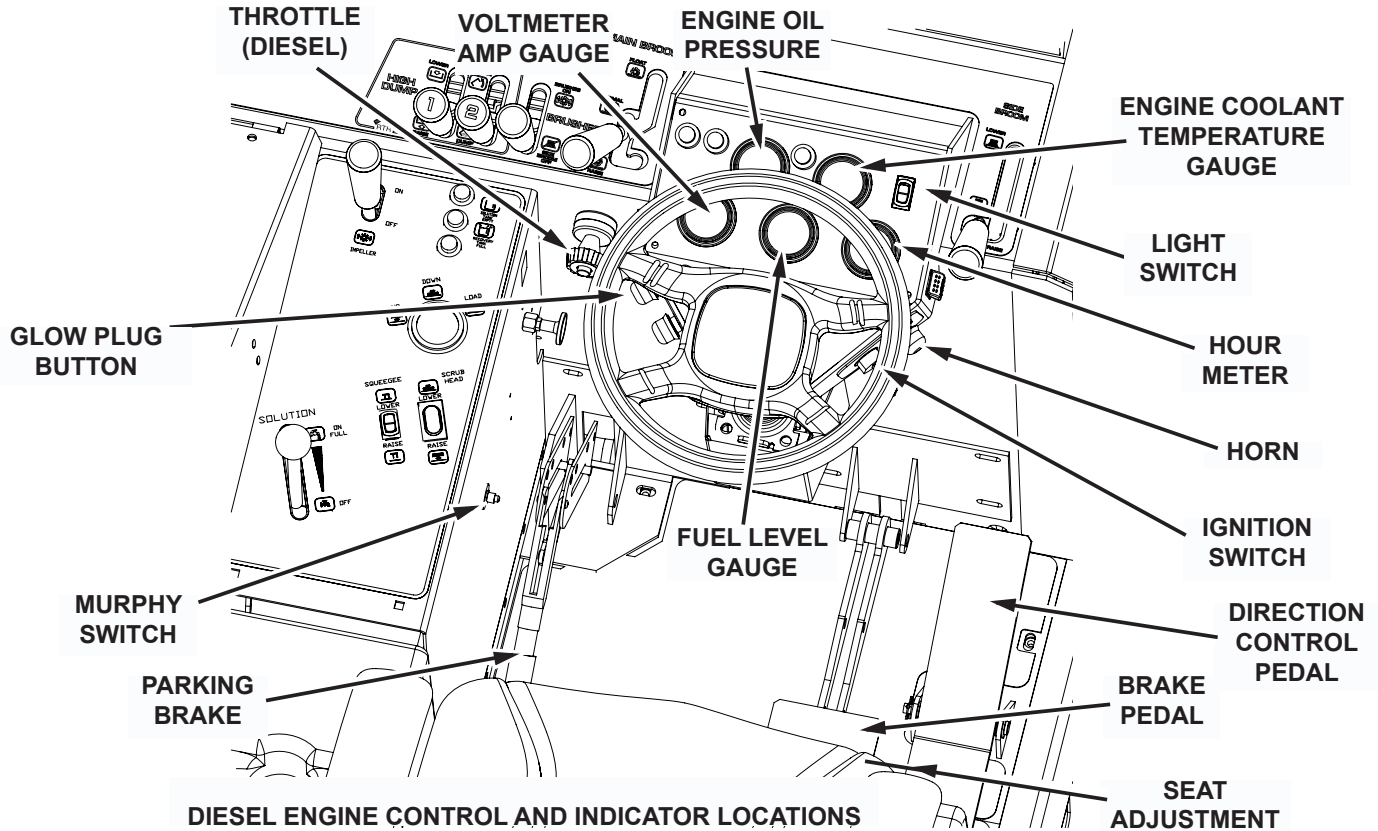
The driver's seat is adjustable to provide the most comfortable position for the operator. The adjustment lever is at the bottom right of the seat. While sitting in the seat, push the lever to the right and pull forward or push back on the seat. Release the lever when the seat is in the proper location.

PARKING BRAKE

The hand brake is engaged by lifting up on the lever. The parking brake operates the mechanical drum brakes on the front two wheels and is engaged by the brake pedal.

BRAKE

The brake is engaged by pressing down on the pedal, it is used for stopping in normal operation of the unit.



THROTTLE (GAS AND LP)

The throttle adjusts the engine speed from idle to the operating speed.

- The throttle should be in the IDLE position when starting the engine and immediately before shutdown.
- The throttle should be in the RUN position during normal operation to ensure proper broom speed.

CHECK ENGINE INDICATOR (GAS AND LP ONLY)

The indicator will illuminate in the event that the engine water temperature rises above 226 degrees or oil pressure drops below 7 psi. Shut down the unit and perform the required service.

 **CAUTION**

When the check engine indicator illuminates, it indicates a service issue that requires maintenance.

DIRECTIONAL CONTROL PEDAL

The directional control pedal controls the speed and direction of the machine. It is also used for slowing the machine or stopping.

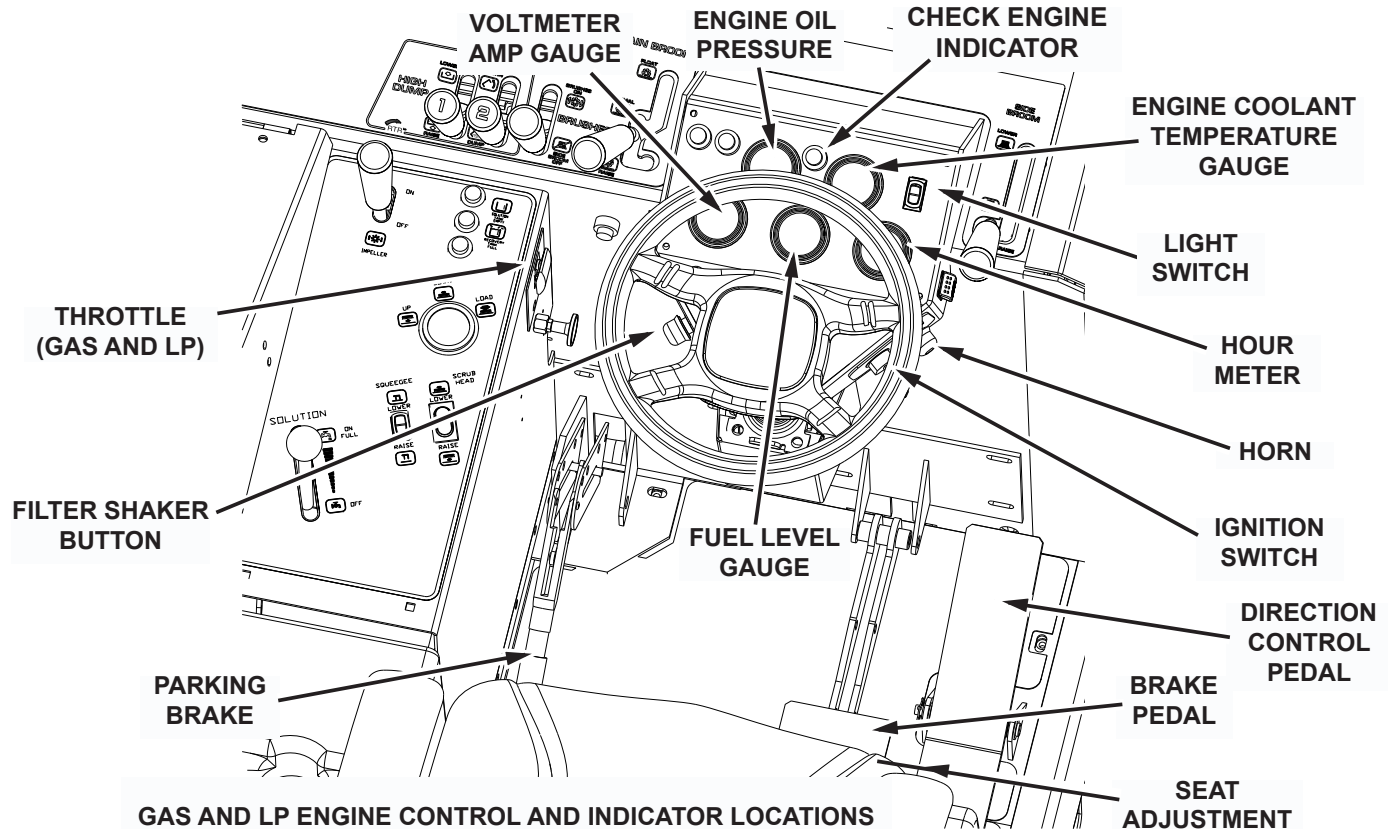
- To propel the machine forward, apply pressure to the front of the pedal, increasing pressure to increase speed.
- To propel the machine backward, apply pressure to the rear of the pedal.
- To slow or stop the machine, move the foot pedal into neutral.
- For emergency stops, move the foot pedal past neutral and into the opposite position.

 **CAUTION**

Use for emergency stops only! Constant use of this braking method may result in damage to the drive components.

SPEED LIMITER

The sweeper is equipped with a speed limiter. A stop is mounted under the directional control pedal and can be raised to reduce the maximum speed.



SWEEPING / SCRUBBING CONTROLS AND INDICATORS

BROOM CONTROL LEVER

The broom control lever activates or deactivates the brooms and scrub brushes. The lever is the second lever to the left of the instrument panel. The lever has three control positions.

1. Push the lever forward to the brushes on position. This activates the main broom, side broom, and scrub brushes.
2. Pull the lever back to the side broom off position. This will deactivate the side broom. The main broom and scrub brushes will be remain activated.
3. Place the lever in the center of the slot. This will deactivate the side broom, main broom and scrub brushes.

NOTE: The main broom, side broom, and scrub brushes may be raised or lowered independently.

MAIN BROOM HANDLE

The main broom handle to the immediate left of the instrument panel, raises and lowers the main broom. The handle has three control positions, raise, normal and float.

1. Push the handle forward to the normal position for typical sweeping applications.
2. Push the handle forward to the float position for surfaces that are extremely uneven.

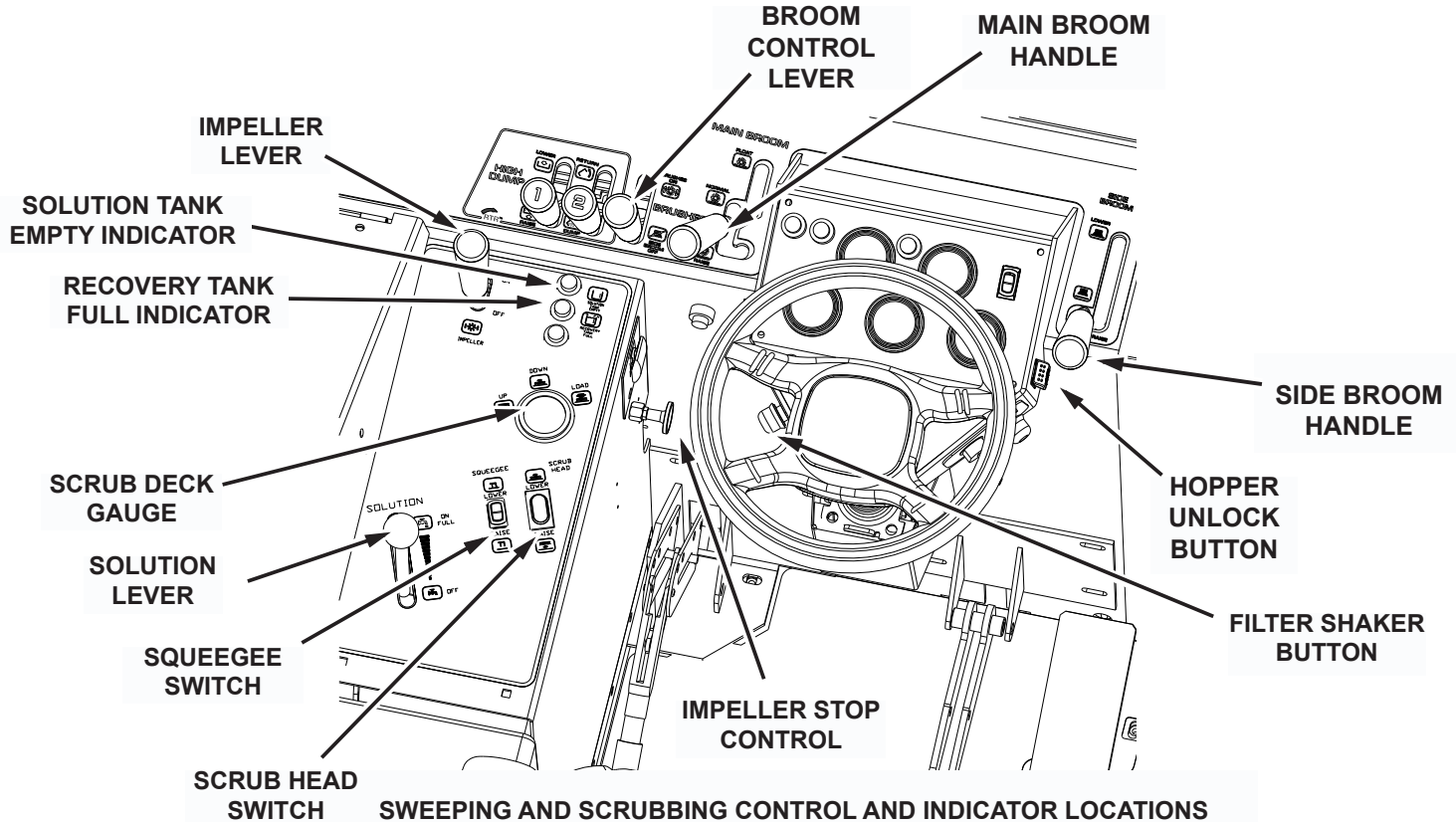
NOTE: Frequent use of this position will reduce the main broom life.

3. Pull the handle back to the raise position lift the broom when not sweeping.

SIDE BROOM HANDLE

The side broom handle to the immediate right of the instrument panel, raises and lowers the side broom.

- When not sweeping, the side broom should remain in the RAISE position.
- To lower the side broom, push the handle forward to the LOWER position.



SWEEPING AND SCRUBBING CONTROL AND INDICATOR LOCATIONS

SCRUB HEAD SWITCH

The scrub head switch activates an actuator to raise and lower the scrub deck. The scrub deck height can be adjusted using the scrub head switch. The scrub deck gauge visually indicates the deck height.

SCRUB DECK GAUGE

The scrub deck gauge indicates the position of the scrub deck not the scrub deck pressure on the floor.

IMPELLER LEVER

The impeller lever activates and deactivates the vacuum and is located in the upper left corner on the control panel. Push the lever forward to the on position to activate the vacuum. Pull the lever back to the off position to deactivate the vacuum. Vacuum provides suction to the hopper and the squeegee.

IMPELLER STOP CONTROL

The impeller stop control adjusts the amount of vacuum supplied to the squeegee and hopper. Push the control in for normal operation, with equal vacuum supplied to the hopper and the squeegee. Pull out the control cable limit the vacuum supplied to the hopper and provide more vacuum to the squeegee.

SQUEEGEE SWITCH

The squeegee switch raises and lowers the squeegee mechanism. The squeegee height is mechanically adjustable and will need adjustment as the squeegee blade wear.

SOLUTION LEVER

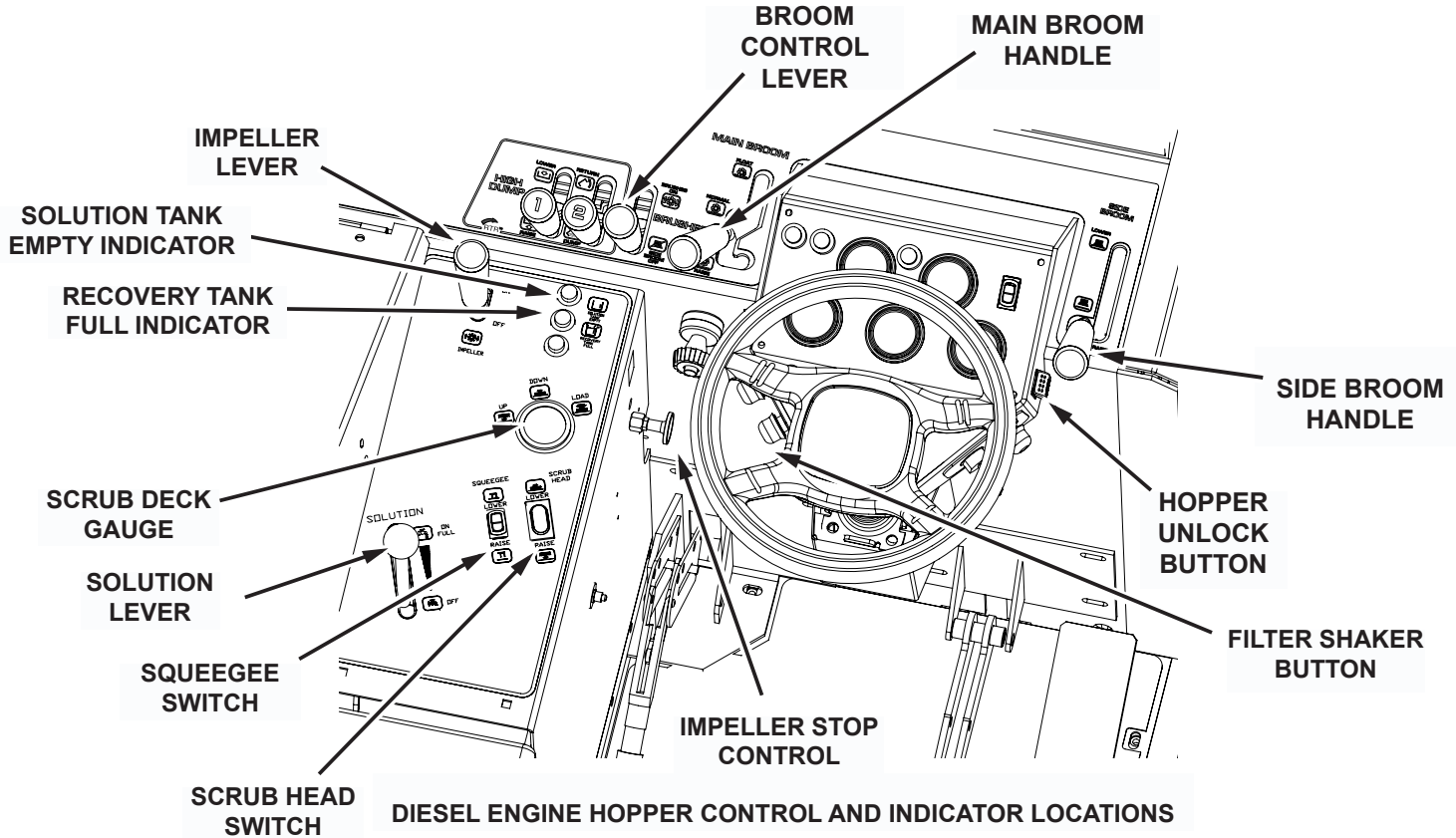
The solution lever control the amount of solution applied to the floor. Push the lever forward to begin the flow, adjusting to the desired amount of flow. This is a gravity feed system with a maximum flow of 3 gpm.

SOLUTION TANK EMPTY INDICATOR

The solution tank empty indicator is located on the front of the left side control panel, and illuminates when the solution tank is empty.

RECOVERY TANK FULL INDICATOR

The recovery tank full indicator is located on the front of the left side control panel, and illuminates when the recovery tank is full.



DEBRIS HOPPER DUMP CONTROLS

HIGH DUMP

The two far left levers on the front control panel are used to raise the hopper to any height up to 60" (1.52 m) and dump it.

⚠ WARNING

Never get beneath a raised hopper without the safety arm in place.

Lever 1

Pull back on the lever 1 to raises the hopper, and release the lever when you have reached the proper height. Push forward to lower the hopper.

NOTE: The engine must be running to raise the hopper, but does not have to be running to lower the hopper.

Lever 2

Pull back on Lever 2 to rotate and dump the hopper. Push forward to return the hopper to it original position.

NOTE: The engine must be running to dump and return the hopper. The hopper must be raised to rotate the hopper.

HOPPER UNLOCK BUTTON

If equipped the unlock hopper button must be pressed to raise, lower, dump, and return the hopper. The commander Europe model machines are equipped with a two handed hopper operation.

ROTARY TRASH RELOCATOR (RTR™)

Rotary Trash Relocator (RTR™) is a standard feature on high-dump models. Its purpose is to increase the holding capacity of the debris hopper to make dumping the hopper necessary less frequently.

HOPPER FILTER SHAKER BUTTON

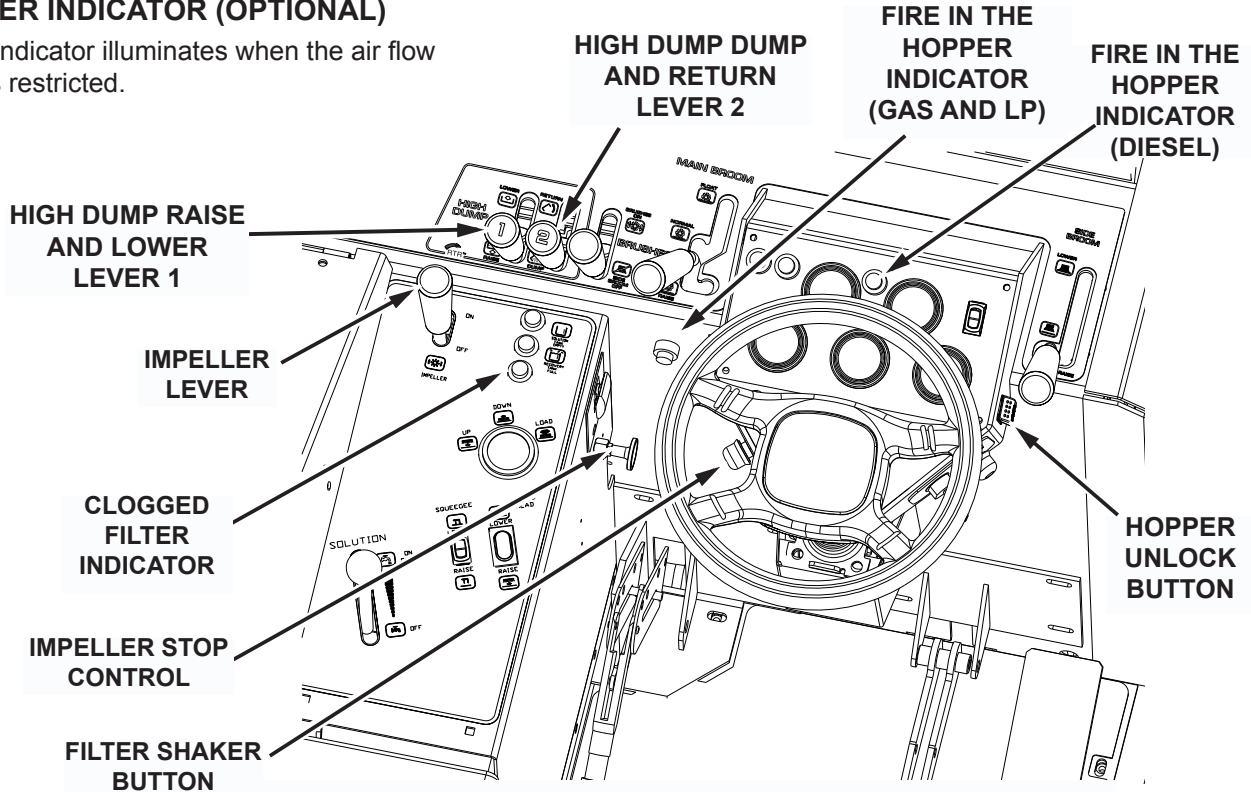
This button is used to activate the filter shakers prior to dumping or as needed during sweeping operation. It is located to the left hand side of the instrument panel.

FIRE IN THE HOPPER INDICATOR (OPTIONAL)

The fire in the hopper indicator illuminates when a fire is detected in the hopper.

CLOGGED FILTER INDICATOR (OPTIONAL)

The clogged filter indicator illuminates when the air flow through the filter is restricted.



GAS AND LP ENGINE HOPPER CONTROL AND INDICATOR LOCATIONS

OPERATING PROCEDURES

PRE-OPERATION CHECKS

Prior to starting the engine, check the following:

1. Engine oil level
2. Engine coolant level
3. Fuel level
4. Hydraulic fluid level
5. Brakes, steering and directional controls
6. The floor beneath the machine for signs of fluid leaks

Fluid levels should be correct. Brakes, steering and directional controls should be functioning properly. Hoses, lines and tanks should be free of damage and leaks.

STARTING

Gasoline or LP Power Units

⚠ WARNING

Before starting the engine, sit in the operator's seat and make sure the parking brake is locked.

1. Make sure the directional control pedal is in the neutral position.
2. Make sure the throttle is in the idle position.
3. Turn the ignition key to the start position (to the right). When the engine starts, release the key.

⚠ CAUTION

If the engine fails to start, do not continue cranking for more than ten seconds. Allow the starter motor to cool between attempts.

4. Release the parking brake.

Diesel Power Units

WARNING

Before starting the engine, sit in the operator's seat and make sure the parking brake is locked.

1. Make sure the directional control pedal is in the neutral position.
2. Make sure the throttle is in the idle position.
3. If the engine is cold, turn the ignition key to the IGN position and press the Glow-plug switch for 15 to 20 seconds.
4. If equipped press and hold the Murphy switch, then turn the ignition key clockwise to the start position. When the engine starts, release the key and the Murphy switch.

CAUTION

If the engine fails to start, do not continue cranking for more than ten seconds. Allow the starter motor to cool between attempts.

5. Release the parking brake.

TRAVELING FORWARD OR BACKWARDS

Forward

Apply pressure to the front of the directional control pedal, increasing pressure to increase speed.

Reverse

Apply pressure to the rear of the pedal, increasing pressure to increase speed.

WARNING

Exercise extreme caution when traveling across or turning on grades. Do not exceed an 8° grade

SLOWING AND STOPPING

Allow the directional control pedal to move into neutral. The machine will slow and coast to a stop.

SWEEPING

1. Lower the main Broom, push the handle forward to the NORMAL or FLOAT position.

NOTE: When sweeping extremely uneven floors, position the main broom handle at FLOAT on the handle slot.

2. If desired lower the side broom, push the handle forward to the LOWER position.
3. Activate the broom motors:
 - To activate both main and side brooms push the broom control lever forward to the BRUSHES ON position.
 - To activate the main broom only pull the broom control lever back to the SIDE BROOM OFF position.
4. Turn on the vacuum impeller, Push the impeller lever forward to the on position.
5. Drive the machine over the area to be swept.

EMPTYING THE HOPPER WITH HIGH DUMP FEATURE

1. Drive the machine to the dumping area.
2. Use the directional control pedal to position the machine so that the space between the machine and the container or dumpster is adequate to raise the hopper.
3. Reduce the engine speed.
4. Pull back Lever 1 (press and hold the unlock hopper button if equipped) to the RAISE position and hold until the bottom of the hopper is high enough to clear the top of the container.

 **WARNING**

Never place your hands or other body parts near the lift arms when the hopper is operating.

5. Use the directional control pedal to slowly and carefully move the machine forward until the hopper is properly positioned to dump the debris into the container.
9. Push Lever 1 forward (press and hold the unlock hopper button if equipped) to the LOWER position until the hopper stops.

 **WARNING**

It is unsafe to travel an extended distance with the hopper raised. Travel only the distance necessary to position the hopper.

6. Shake the filters for 20-30 seconds. Pull back Lever 2 to the DUMP position to rotate the hopper forward and empty the debris.
7. After the hopper empties, push Lever 2 forward (press and hold the unlock hopper button if equipped) to the RETURN position until the hopper rotates and stops.
8. Slowly back the machine away from the dumpster approximately 5 feet.

USING THE ROTARY TRASH RELOCATOR (RTR™)

1. Use the directional control pedal to stop the machine on a level surface.
2. Move the throttle to the IDLE position.

NOTE: As you complete Steps three and four, observe the two red lights labeled 1 and 2 in the upper left corner of the control pane.

- Light 1 illuminates when the hopper reaches the minimum height required to use the RTR™ feature.
 - Light 2 illuminates when the hopper reaches the rotation stop point.
3. Pull back Lever 1 (press and hold the unlock hopper button if equipped) to the RAISE position and hold until Light 1 illuminates, then release.

⚠ WARNING

Make sure no one is in the area under or around the hopper.

4. Pull back Lever 2 to the DUMP position (press and hold the unlock hopper button if equipped) and hold until Light 2 illuminates, then release.

NOTE: This rotates the hopper, causing the debris to move from the rear entrance to the front wall of the hopper. Rotating beyond this point will cause the debris to be dumped from the hopper.

5. Push Lever 2 forward (press and hold the unlock hopper button if equipped) to the RETURN position until the hopper rotates back and stops.
6. Push Lever 1 forward (press and hold the unlock hopper button if equipped) to the LOWER position until the hopper returns to the normal operating position.
7. Move the throttle to the RUN position and resume sweeping.

TO SHAKE THE FILTER

The unit may be equipped with an optional clogged filter indicator. If illuminated shake the filter to remove excess debris. If the clogged filter indicator illuminates excessively clean the hopper filter.

1. Bring the machine to a complete stop.
2. Place the broom control lever in the OFF position.
3. Press and hold the filter shaker button for 20 to 30 seconds.
4. Place the broom control lever in the ON position and resume sweeping.

FIRE IN THE HOPPER

The unit may be equipped with an optional fire in the hopper indicator. If illuminated a high temperature reading has been detected in the hopper. Immediately turn impeller off and shut down the unit. Extinguish the fire using appropriate methods.

WARNING

If a fire is detected do not open the lid without protective gear, fire may flare up. Use fire protective gear and fire extinguisher when extinguishing the fire.

SCRUBBING

Operating the Scrub Brushes

1. Activate the scrub brushes by putting the broom control lever in the ON position.
2. Lower the scrubhead to the floor with the scrubhead rocker switch located on the console left of the operator. Press to “Lower” Position. Scrubhead is raised by same switch. Press to “Raise” position.

NOTE: The scrubhead gauge is a visual indication of the scrub deck position and not the amount of pressure on the floor.

Starting Solution Flow

3. Push the solution lever forward until the desired amount of solution is applied.

NOTE: This is a gravity feed system. Maximum flow is 3 gpm.

4. Turn on the vacuum impeller, Push the impeller lever forward to the on position.

Lower The Squeegee

5. Press the squeegee switch to the Lower Position.
6. Drive the machine over the area to be scrubbed.

FILLING THE SOLUTION TANK

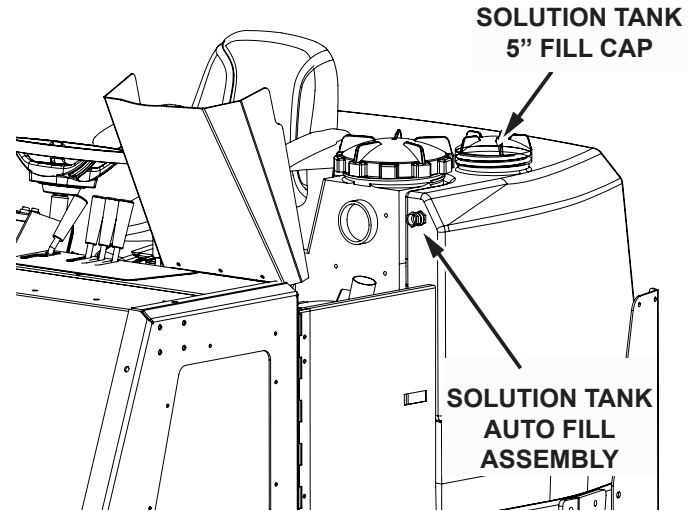
CAUTION

Never use detergents or cleaners that are flammable or combustible. Always wear safety glasses and protective clothing when using chemicals of any kind.

It is recommended to use PowerBoss chemicals which are specially formulated for use in power scrubbers.

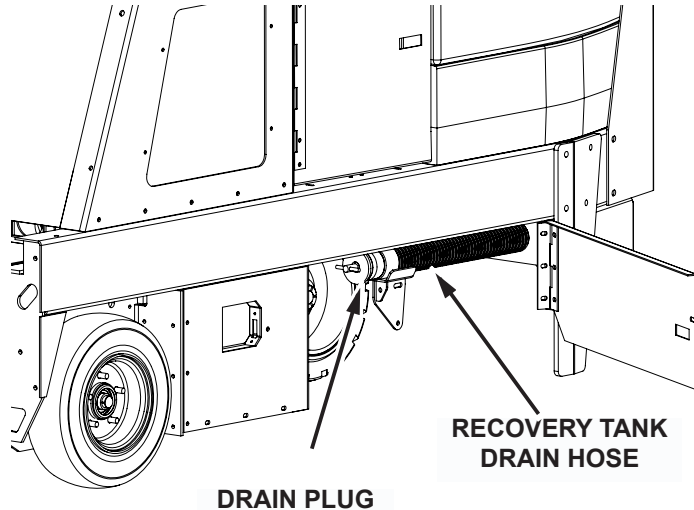
1. Park the machine on a level area and lock the parking brake.
2. Make sure the solution delivery valve is closed via the solution lever.
3. Open the top door of the machine and remove the plug @ the Auto fill Assembly. Connect a garden hose to the AutoFill Assembly. Turn on faucet for clean water solution. The water will shut off when the proper level is achieved. Disconnect garden hose replace the plug @ auto fill connector and close top door.

or
Unscrew the smallest (6 inch) cap located on the top of the solution tank. Fill the tank with cleaning water solution. When the tank is full, close the door and replace the cap.



DRAINING THE RECOVERY TANK

1. Park the machine on a level surface at an approved drainage site with the left rear of the machine beside the drain access.
2. Engage the parking brake.
3. Turn the machine OFF.
4. Open the left scrubhead access door.

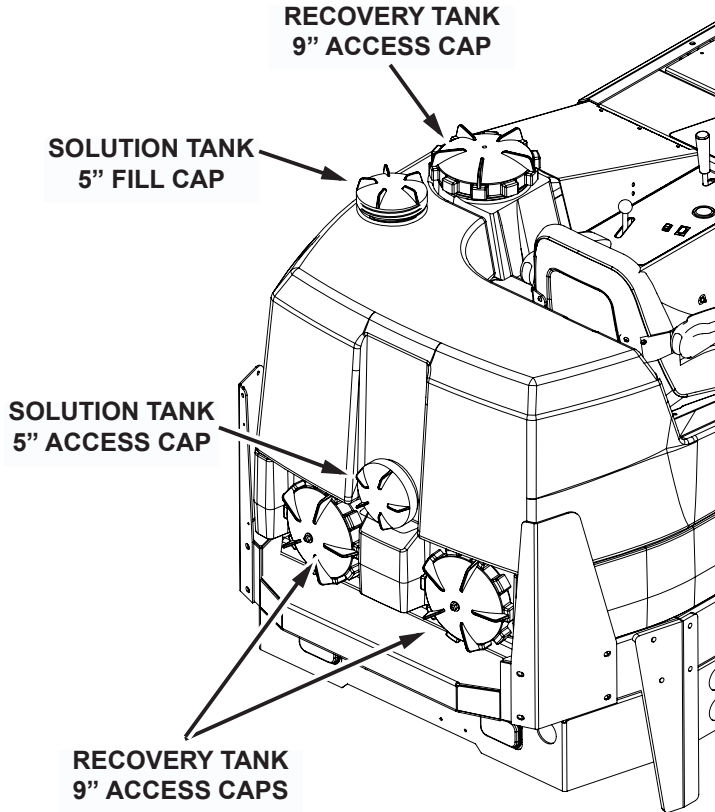


5. Remove the flexible drain hose from its storage hook. Pull out the drain hose for the required reach to the access.
6. Place the end of the drain hose on or in the approved drain access.
7. Loosen and remove the drain plug.
8. Drain the tank completely and reinstall the plug.
9. Reposition the drain hose on its storage hook.

CLEANING THE RECOVERY TANK

NOTE: The Recovery Tank Should Be Cleaned After Every Shift.

1. Position the machine at an approved drain area.
2. Engage the parking brake.
3. Shut off the machine.
4. Remove the two 9" access caps at the rear of the unit.
5. Remove the drain hose and position it over the approved drain opening.
6. Loosen and remove the drain plug.



7. Spray the tank with clean water, flushing all sludge out of the access ports.
8. Remove the ball and float. Rinse and reinstall.
9. Drain the tank completely and reinstall the drain plug.
10. Return the drain hose to the storage hook at the left side scrub door area beneath the floor pan.
11. Replace the 9" access caps removed in step four.

SQUEEGEE WAND (OPTION)

This attachment allows the operator to vacuum spills and standing water in areas which the machine cannot maneuver.

1. Remove the hose from the squeegee tool.
2. Attach the adapter to the squeegee hose.
3. Connect the squeegee wand to the adapter.
4. Turn on impeller
5. Set the engine at a high speed and vacuum the spills or standing water.

BLOWER (OPTION)

The blower can move debris from hard-to-reach areas into the path of the sweeper using forced air. To operate; With unit running @ high Rpm's and impeller on, take the wand in hand and pull the blower control knob out. Aim at desired debris. Return wand and knob to normal position when done.

TRANSPORTING THE MACHINE

Using a Trailer or Transport Vehicle

1. Position the machine on the transport vehicle or trailer and apply the parking brake.
2. Chain the machine down using the two (2) tie-down holes in the frame in front of both front wheels and one (1) @ the rear center of the frame extension bumper.

NOTE: Attach Tie Downs To The Frame & Extension Bumper Only!

Pushing the Machine

Push the machine from the front or rear using the bumpers only.

NOTE: The propulsion pump is equipped with a tow valve located on the top of the pump. To engage the tow valve:

1. Turn the flat-sided shaft at the top of the pump 90°.
2. Valve must be returned to its original position for normal operation the machine.

ATTENTION!

Do not tow or push the machine a distance of more than .5 miles (.80 kilometers) or faster than one mile per hour (1.61 km). Exceeding these restrictions may cause damage to the hydraulic system. If towing will exceed the above restrictions, the rear wheel must be raised or supported by a dolly.

PREVENTATIVE MAINTENANCE

INTRODUCTION

Regular maintenance on your sweeper scrubber results in better cleaning, faster cleaning and a prolonged service life for the equipment and components. This section contains the following information to help you give your sweeper scrubber the maintenance attention it requires:

- A Scheduled Maintenance Chart
- Preventative Maintenance Instructions for Required Scheduled Maintenance Tasks

Because it is extremely important to your safety, you will see the following WARNING repeated throughout this section:

WARNING

Never attempt to perform any service on the equipment or components until the engine is OFF, the parking brake is LOCKED, and the wheels are CHOCKED.

SCHEDULED MAINTENANCE CHART					
FREQUENCY (IN HOURS)					SERVICE (BY MAINTENANCE AREA)
DAILY	50	100	200	500	
ENGINE					
		X			Pressure wash engine <i>NOTE: For additional maintenance requirements, refer to the engine manual.</i>
AIR INTAKE SYSTEM					
X					Empty rubber dust cup of air filter element.
X					Check air filter indicator
	X				Clean air filter. <i>NOTE: Clean more often in dusty conditions.</i>
			X		Replace air filter.
ELECTRICAL SYSTEM					
			X		Clean battery top.
COOLANT SYSTEM					
X					Check coolant level and fill as needed.
	X				Inspect radiator fins and clean as needed.
		X			Blow out radiator fins.
				X	Drain and flush the coolant system

SCHEDULED MAINTENANCE CHART

FREQUENCY (IN HOURS)					SERVICE (BY MAINTENANCE AREA)
DAILY	50	100	200	500	
LUBRICATION POINTS					
				X	Steering Cylinder (2 fittings) Lubricate type - grease
				X	Steering Fork Assembly (3 fittings) - grease
		X			Dump Hopper Lift Arm Mounts (4 fittings) Lubricate type - grease
				X	Hood Latches & Hinges Lubricate type - oil
IMPELLER					
X					Check for hydraulic fluid leaks.
HYDRAULIC SYSTEM					
X					Check hydraulic reservoir gauge and fill as needed.
				X	Replace breather cap filter element.
				X	Replace hydraulic fluid and filter
X					Check functioning of directional control pedal and adjust as needed.
				X	Clean hydraulic fluid strainer in reservoir.
	X				Inspect hydraulic oil cooler fins and clean as needed (if so equipped).
		X			Blow out hydraulic oil cooler fins with compressed air (if so equipped).

SCHEDULED MAINTENANCE CHART					
FREQUENCY (IN HOURS)					SERVICE (BY MAINTENANCE AREA)
DAILY	50	100	200	500	
SWEEPING COMPONENTS					
X					Inspect brooms for wear and remove strings and debris from bristles and drive assembly.
	X				Inspect broom skirts for wear and adjust or replace as needed.
	X				Rotate main broom end-to-end.
	X				Perform main broom adjustment test and adjust as needed.
X					Inspect the side broom for wear and adjust as needed.
					Replace main and side brooms as needed: Main Broom needs to be replace if bristles are 1" in length or less. Side Broom needs to be replaced if bristles are 3" in length.
HOPPER					
X					Check hopper filters and clean or replace as needed.
X					Inspect the hopper flaps for wear or damage and replace as needed.
		X			Inspect hopper side and frame seals for wear or damage. Adjust or replace as needed.
STEERING					
				X	Lubricate steering cylinder rod ends.
				X	Lubricate steering fork assembly.
	X				Check for leaks.

SCHEDULED MAINTENANCE CHART					
FREQUENCY (IN HOURS)					SERVICE (BY MAINTENANCE AREA)
DAILY	50	100	200	500	
PARKING BRAKE					
			X		Check for proper functioning and adjust as needed.
TANKS					
X					Check squeegee tool and vacuum hose for clogs.
TIRES					
X					Visually inspect for wear and damage. Repair or replace as needed.
MISCELLANEOUS					
				X	Inspect latches and hinges. Tighten and lubricate as needed.
			X		Check anti-static drag chain on rear wall of broom chamber for damage or excessive wear. Replace as needed.
				X	Check side broom lift cable and lift cable for wear.
SCRUB AND WATER PICK-UP COMPONENTS					
	X				Inspect disc scrub brushes and replace as needed. Maximum wear = 1/2"
X					Inspect squeegee flare and adjust as needed.
	X				Check the rear squeegee blade for wear. (Turn or replace as needed.)

PREVENTATIVE MAINTENANCE INSTRUCTIONS

ENGINE

Maintenance requirements and service instructions for your sweeper scrubber engine are outlined in the following parts of this Maintenance Section:

- Air Intake System
- Electrical System
- Fuel System
- Coolant System
- Lubrication System

All basic maintenance tasks are listed with their recommended frequencies on the Planned Maintenance Chart in this manual. Important additional maintenance requirements and instructions are explained in the engine manual which comes with your machine.

 **WARNING**

Never attempt to perform any service on the equipment or components until the engine is OFF, the parking brake is LOCKED, and the wheels are CHOCKED.

Air Intake System

Check Air Filter Service Indicator

The air filter service indicator shows when to change the air filter element. Check the indicator on a daily basis. The red indicator gradually becomes visible as the air filter elements load with dirt. It is not necessary to change the air filter elements until the red indicator reaches the top of the service indicator and locks into position.

1. Lift engine cover.
2. Inspect air filter service indicator

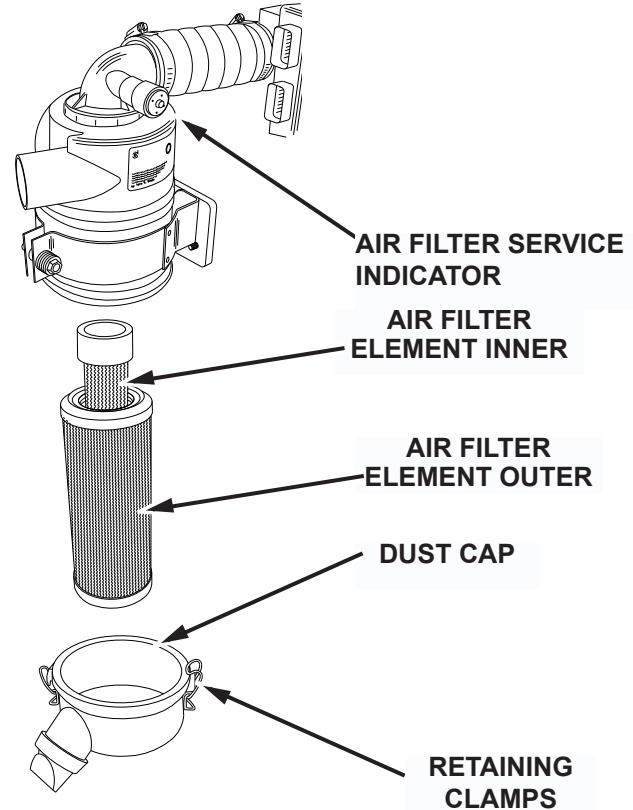
NOTE: The indicator may return to the nonviable position when the engine is shut off. To check, reset indicator and turn on the engine, if it locks in visible position again clean or change element.

Air Filter Element Removal

1. Turn off the engine and set the parking brake.
2. Lift the engine cover.
3. Locate the air filter and loosen the retaining clamp.
4. Remove the dust cup.
5. Pull the rubber plug out of the dust cup and empty the contents.

NOTE: The Diesel engine has a wing nut holding the air filter element in place, remove the wing nut first.

6. Pull the air filter elements out of its housing.



Air Filter Cleaning

1. Once you have removed the air filter elements, empty the dust cup and clean the interior of the air filter housing.
2. Use an air hose to blow out the air filter elements. Air pressure should be 100 psi or less.

Air Filter Inspection

1. After you clean the air filter elements, check the elements for holes by passing a light bulb inside it.

Air Filter Installation

1. Wipe out the air cleaner housing with a damp cloth. Be sure all dirt is removed.
2. Install the cleaned replacement filter elements so that the fins are at the far end of the housing. Be careful not to damage the fins.
3. Replace the rubber plug in the dust cup.
4. Replace dust cup, being sure embossed word “top” on cup is positioned correctly (up).
5. Tighten the ring clamp or retaining clips.
6. Check the condition of intake hoses and clamps. Close engine cover.

ELECTRICAL SYSTEM

Battery Cleaning

1. Combine baking soda and water in a strong solution.
2. Brush the solution over the battery top, including terminals and cable clamps. Make sure the solution does not enter the battery.
3. Using a wire brush, clean the terminal posts and cable clamps.
4. Apply a thin coating of petroleum jelly to the terminals and cable clamps.

Battery Replacement

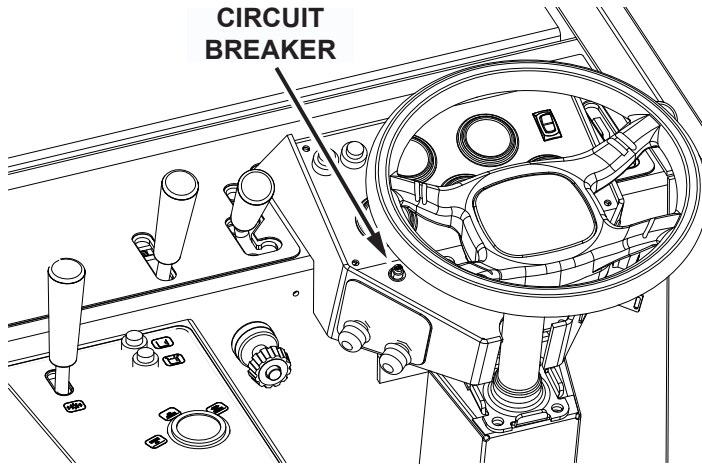
 **CAUTION**

Remove the negative battery cable before you remove the positive battery cable. This is done to prevent accidental electrical shorting which can result in personal injury.

1. Disconnect the negative (-) cable and then the positive (+) cable.
2. Remove the battery.
3. Install the new battery.
4. Connect the positive (+) battery cable first, then the negative (-) cable.

Circuit Breaker

If a circuit breaker trips, it can be reset by pressing the reset button in the center of the breaker. (The circuit breakers are located on the instrument panel below the steering wheel).

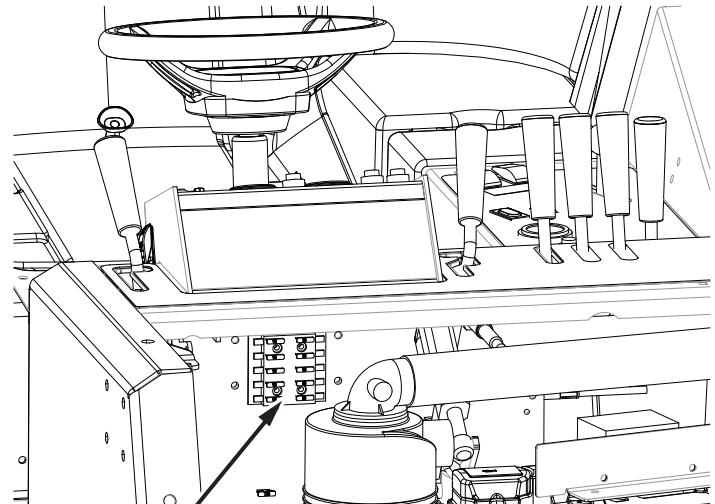


Fuses

Fuses are located in the fuse panel behind the hopper on the fire wall upper right corner when facing the unit

! CAUTION

Safety Arm Must Be Engaged When Checking These Fuses



FUEL SYSTEM

⚠ WARNING

Never attempt to perform any service on the equipment or components until the engine is OFF, the parking brake is LOCKED, and the wheels are CHOCKED.

⚠ WARNING

Never operate an LPG powered sweeper when any component in the fuel system is malfunctioning or leaking.

⚠ WARNING

Never bypass safety components unless you are testing them.

⚠ WARNING

Replace any defective safety components before operation the sweeper.

⚠ WARNING

During repair or servicing of the fuel system, work in a properly ventilated area and do not smoke or allow an open flame near the fuel system.

⚠ WARNING

When disconnecting the tank coupling, always wear gloves. LPG fuel can freeze bare hands.

⚠ WARNING

Under no circumstances should the fuel filter lock be bypassed, except when testing. After testing, always reconnect lock. Bypassing the fuel filter lock after testing creates a potential fire hazard.

Tier II compliant fuel system Refer to P.S.I Service Manual

COOLANT SYSTEM

Blowing Out Radiator Fins

NOTE: Make sure radiator is cool before blowing out the radiator fins with compressed air. Use maximum compressed air pressure of 100 p.s.i. to blow out radiator fins with.

Reverse Flow Flushing

1. At the engine, disconnect the hoses.
2. Make sure the radiator cap is on tight.
3. Using a hose clamp, attach a flushing gun onto the lower hose.
4. Turn on the water and fill the radiator.
5. To keep from damaging the radiator, apply air pressure slowly and carefully.
6. Shut off the air pressure, refill the radiator with water, and reapply the air pressure. You will need to repeat these steps until water flushed from the radiator runs out clear.
7. Inspect and clean the radiator cap.

8. Inspect and reconnect the hoses.
9. Refill the radiator with coolant.

NOTE: Use a 50/50 mixture of water and an anti-freeze with an ethylene glycol base.

ATTENTION!

Plain Water, Alcohol or Methanol base antifreeze is not recommended for use in the cooling system at anytime!

LUBRICATION

Gasoline and LPG Engines: Use any SF or SG rated oil meeting API specifications and suited to seasonal temperatures.

Refer to the Engine Manufacturer's Operator Manual for these specifications.

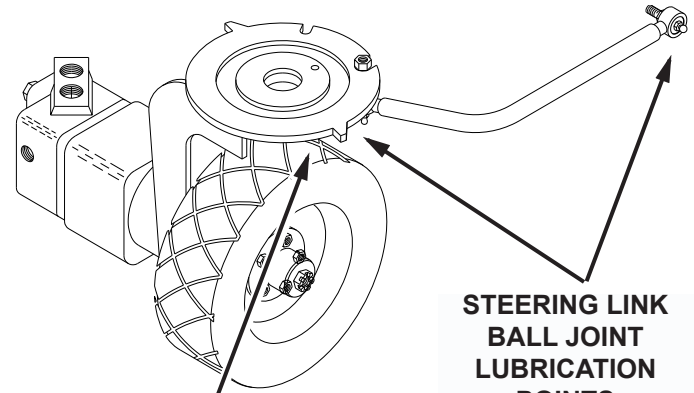
Changing Engine Oil

1. Place a drain pan under the lowest end of the engine.
2. Remove the drain plug and allow the oil to drain into the pan.
3. Remove the used oil filter and replace with a new one.
4. Dispose of the oil and oil filter in an approved manner.
5. Remove the engine oil cap, add oil in the amounts listed in the engine manual, then secure the cap.

LUBRICATION POINTS

Steering Fork Assembly and Steering Link Ball Joints

The steering fork assembly and steering link ball joints must be lubricated every 500 hours with grease. The steering fork assembly has 1 grease point and the steering link has two ball joint with one grease point each.

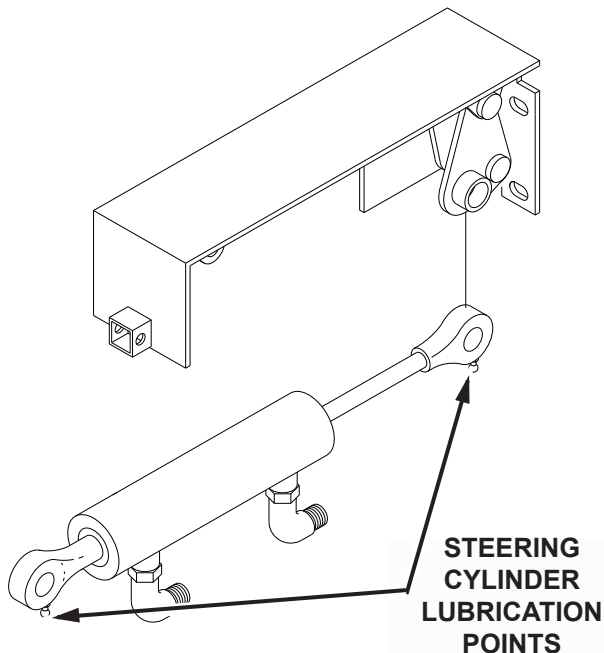


**STEERING FORK
ASSEMBLY
LUBRICATION POINT**

**STEERING LINK
BALL JOINT
LUBRICATION
POINTS**

Steering Cylinder

The steering cylinder must be lubricated every 500 hours with grease. There are two lubrication points on each end of the cylinder.



Latches & Hinges

The hinges and latches and all doors and covers should be lubricated with oil every 500 hours. There are numerous hinges and latches, make sure to lubricate all of the following:

- Engine cover
- Top Gas Tank Cover
- Side Door and Latch
- Main Broom Doors
- Scrub Doors and Latches
- Seat Hinge

Hopper Lift Arm Mounts

The dump hopper lift arm mounts must be lubricated every 100 hours with grease. There are two lubrication points on each mount.

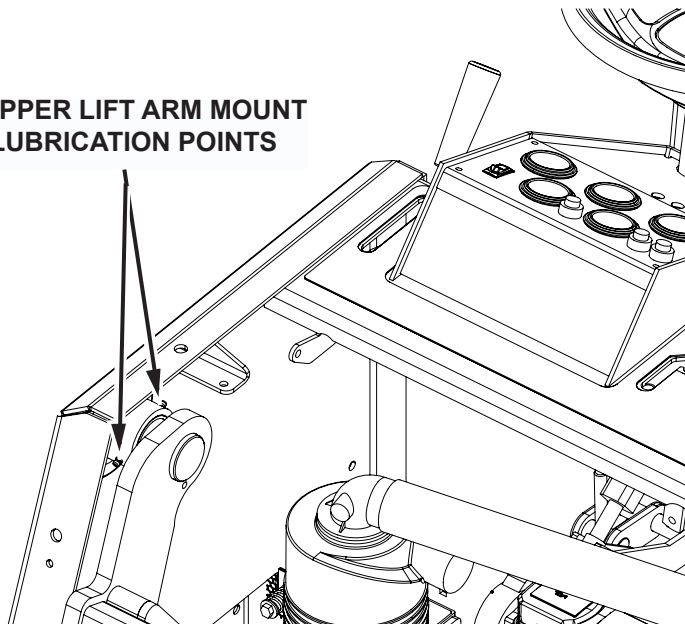
1. Park the machine on a level surface.
2. Raise the hopper and engage the safety arm

⚠ WARNING

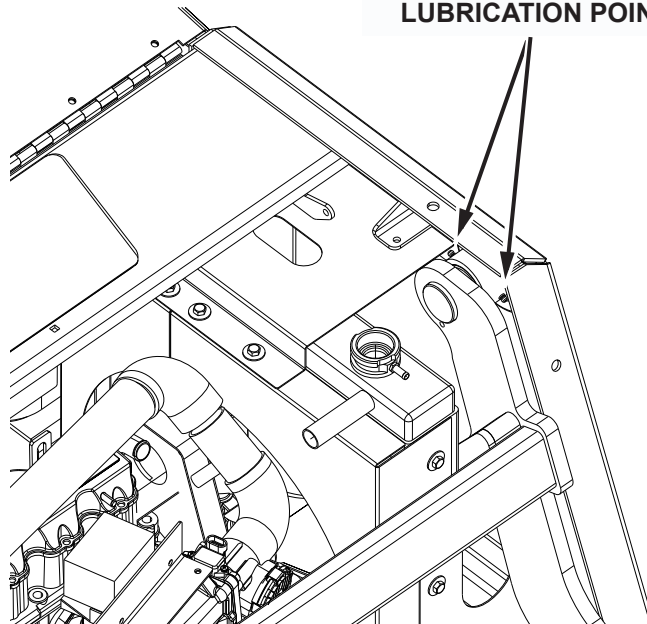
Do not rely upon the hydraulic cylinders to keep the hopper raised. Always engage the safety arm before servicing the hopper.

4. Shut off the engine and engage the parking brake.
5. Locate and grease the hopper lift arm lubrication points.

**HOPPER LIFT ARM MOUNT
LUBRICATION POINTS**



**HOPPER LIFT ARM MOUNT
LUBRICATION POINTS**



HYDRAULICS SYSTEM

Filling The Fluid Reservoir

NOTE: The reservoir is located inside the machine and is accessible through the top side door.

1. When the machine is cool remove the fill cap and check the dipstick at attached to the fill cap. The hydraulic fluid should be at the notch on the dipstick.

 **CAUTION**

DO NOT OVERFILL! DO NOT USE TRANSMISSION FLUID. HYDRAULIC OIL MUST MEET THE SPECIFICATIONS LISTED TO ENSURE PROPER PERFORMANCE.

Hydraulic Fluid Viscosity Specifications

SUS @ 100° F 510-560

SUS @ 210° F 78-84

Exxon® XD-3™ 15W-40 or equal.

2. If the fluid level is not acceptable, add hydraulic fluid.

Maintaining Hydraulic Oil Cooler Efficiency

Your machine is equipped with a hydraulic oil cooler, it is integrated with the radiator and utilizes exhausted radiator air from the engine fan to cool the hydraulic fluid. To maintain its efficiency, periodically blow out the radiator & oil cooler fins with compressed air. 100 p.s.i. is maximum

Changing The Hydraulic Fluid

1. Turn off the engine and engage the parking brake.
2. Place a drain pan on the floor below the reservoir.
3. Remove the hose and fitting located on the bottom rear of the reservoir and allow the fluid to drain.
4. Discard the fluid in an approved manner, then replace and reinstall the hose and fitting.
5. Remove the filler / breather cap located on top of the reservoir and fill the reservoir with approved hydraulic fluid.

NOTE: Ten (10) gallons (US) of fluid are required.

6. Check the dipstick to ensure the proper level is achieved.
7. Install the filler / breather cap assembly.
8. Check the drain plug for leakage.

Changing The Hydraulic Fluid Filter

1. Turn off the engine and engage the parking brake.
2. Unscrew the oil filter cartridge from the mount and discard in an approved manner.
3. Apply a thin coating of fluid to the seal of a new filter element.
4. Thread onto the mount and hand tighten.
5. Tighten an additional one-half turn beyond hand tight.

NOTE: Do not over tighten.

6. Start the machine, shut it off, then check for leakage.

SWEEP COMPONENTS

Broom Door Flap Inspection

NOTE: Perform this inspection when the machine is parked on a level surface.

1. Turn the machine off and lock the parking brake.
2. Inspect broom door flaps for wear and damage. Flap clearance should be $\frac{1}{8}$ " (3.18 mm) above the floor.
3. Worn and damaged flaps should be replaced immediately to maintain proper dust control.

Broom Door Flap Replacement and Adjustment

The flaps are attached to the broom doors by a retainer bar, hex bolts and nuts. To remove the flaps, remove the nuts, bolts and retainer bar. To adjust the flaps, loosen the nuts and bolts, slide the flap up or down as needed. Retighten the nuts and bolts.

Main Broom Pattern Check

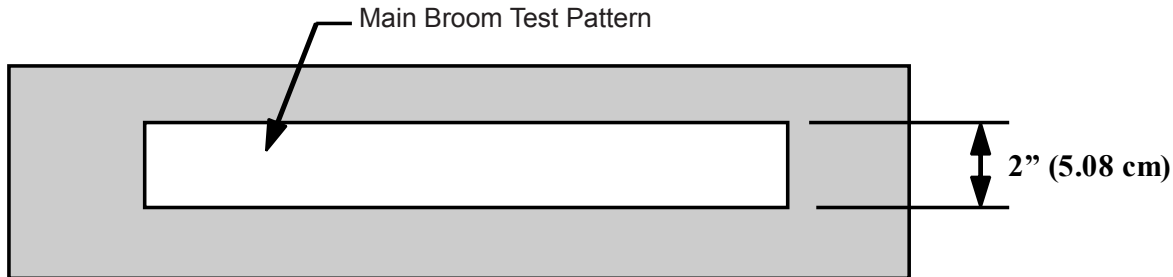
NOTE: Perform this adjustment on a flat, smooth test surface.

1. Drive the machine onto the test surface.
2. Set the parking brake and put the brush switch in the on position.
3. Push the broom control lever to the ON position to activate the broom motor and open the throttle to the “rabbit” or “tornado” position.
4. Depress Fwd/Rev pedal just enough to turn on brush motor.
5. Allow about 45 seconds for the broom to operate, then deactivate the broom motor and raise the broom.

NOTE: Test time will vary according to the test surface used.

6. Drive the machine clear of the test site.
7. Examine the polished pattern made by the broom on the test area.

NOTE: A rectangular shape the length of the main broom, 2” (5.08 cm) wide, indicates the main broom is properly adjusted. A pattern smaller than 2” (5.08 cm) indicates need for lower adjustment. A pattern wider than 2” (5.08 cm) indicates a need for higher adjustment. If pattern is tapered from end to end instead of rectangular, see Taper Adjustment on the next page.



Main Broom Height Adjustment

1. Turn the machine off and lock the parking brake.
2. Position the main broom lever in the NORMAL position.

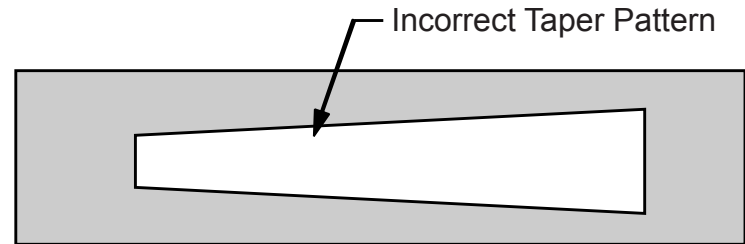
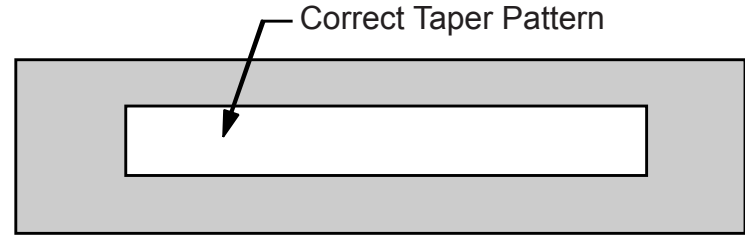
NOTE: The adjustment knob is located in the engine compartment on the broom rod pivot.

3. Turn the broom adjusting knob clockwise one-eighth turn to free the wing nut.
4. Turn the wing nut counter-clockwise to allow space for adjustment.
5. Make a lower or higher adjustment with the knob as required.
6. Retighten the wing nut.
7. Repeat the broom adjustment test to see that the broom is properly adjusted.

Main Broom Taper Adjustment

NOTE: It is not usually necessary to perform this adjustment. However, if the main broom adjustment test shows a pattern that is tapered in length (one end is wider than the other), perform the procedures which follow.

1. Locate the hex-shaped adjustment bar on the left rear wall of the broom chamber underneath the machine.
2. Loosen the retaining bolt on the right side of the hex bar.
3. Grasp the hex bar with a wrench and rotate it to raise or lower the left end of the main broom. (The right end of the broom remains fixed. All adjustments affect the left end of the broom.)
4. After adjustment, re-tighten the bolt.
5. Repeat the main broom adjustment test to see that the broom is properly adjusted.



Main Broom Replacement

NOTE: Broom should be replaced if bristles worn to a length of 1 inch; 2.54 cm or less.

1. Turn the engine off and lock the parking brake.
2. Push the broom switch to the off position.
3. Open the left broom chamber door (the door opposite the driver's seat).
4. Remove the knob on the main broom idler mount.
5. Pull the main broom idler mount straight out to remove.
6. Grasp the main broom by the plastic drive hub, pull the main broom straight out and clear of the broom chamber.
7. Depending on broom condition, you can either rotate the old broom end-to-end and re-install it or

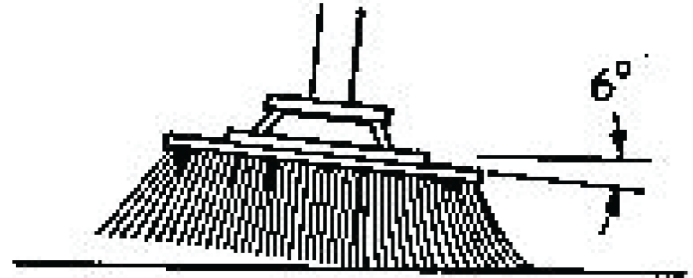
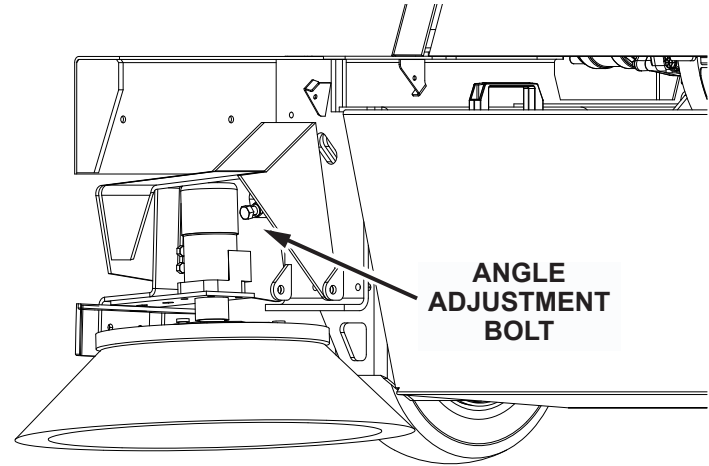
you can install a new broom. Slide the main broom into the broom chamber and align the broom with the metal drive hub located at the far side of the broom chamber. If a worn broom is being replaced, install the new broom by first adjusting the broom arms up to better match the position of the drive hub with the hub on the new broom.

8. Once the broom is started onto the drive hubs, rotate the broom counterclockwise while pushing lightly against the broom.
9. Once the broom is fully engaged, replace the idler hub while aligning the seats in the idler hub with the broom's drive hub ears.
10. Install the retaining knob and tighten into position.
11. Perform a main broom adjustment test and adjust as needed.

Side Broom Angle Adjustment

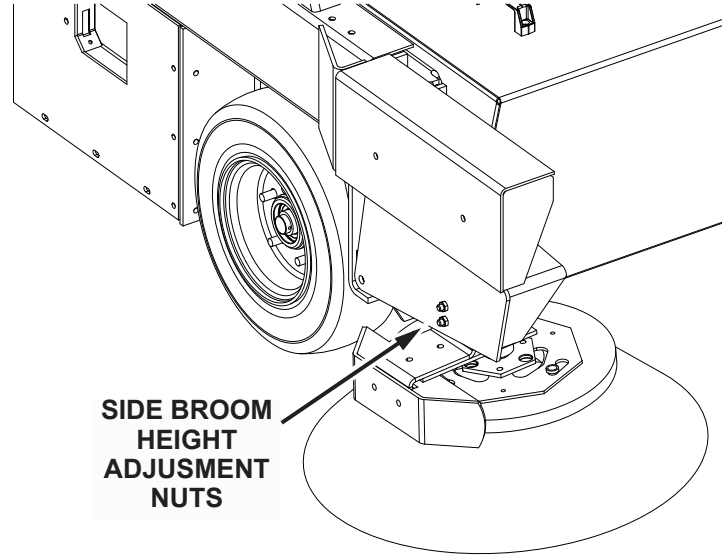
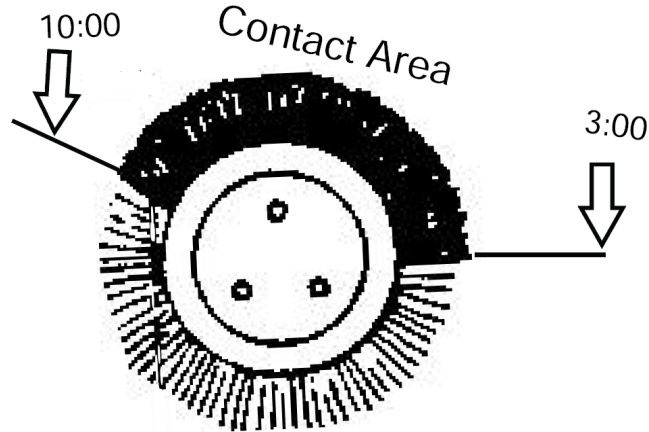
The angle adjustment is controlled with a bolt located on the inside of side broom arm assembly.

1. Loosen the lock nut.
2. Turn the adjusting bolt until the broom is at the optimum angle is 6 degrees.
3. Tighten the lock nut.



Side Broom Height (Wear) Adjustment

1. Stop the engine and lock the parking brake.
2. Position the side broom handle in LOWER position.
3. Loosen the side broom adjusting nuts located on the exterior of the side broom arm assembly.
4. Adjust the side broom height by sliding the broom assembly up or down until proper floor contact is made in the “10 to 3 o'clock” position.
5. After adjustment, tighten the adjusting nut.



Side Broom Lift Cable Adjustment

This adjustment is made at the cable clevis attached to the side broom assembly. It controls the height of the side broom in the RAISED position. This adjustment must be made with the hopper fully lowered.

1. Pull the side broom lever into the RAISED position.
2. Loosen the locknut on the threaded rod at the clevis.
3. Turn the threaded rod in or out to set the side broom in the maximum raised position.
4. Secure the cable adjustment by tightening the locknut.

Side Broom Replacement

NOTE: Broom should be replaced if bristles worn to a length of 3 inches; 7.62 cm or less.

NOTE: The side broom features a quick release mechanism which enables the operator to remove the brush in seconds.

1. Raise the side broom and lock in the RAISE position.
2. Turn the side broom by hand until the brush retainer bar is accessible.
3. Lift the bar and turn the broom clockwise (about one eighth of a turn) until the lock pins in the broom disengage from the drive plate.
4. Install the new broom by positioning the three drive pins into the pilot holes of the drive plate.
5. Lift and rotate the broom until the broom retainer bar springs into the locked position.
6. Check to make sure all the drive pins are properly engaged.

SCRUB & WATER PICK-UP COMPONENTS

⚠ WARNING

Never attempt to perform any service on the equipment or components until the machine is OFF, the parking brake is LOCKED and the wheels are CHOCKED.

Scrub Brush Replacement

The Power-Dive scrub brush features a quick release mechanism which enables the operator to remove the brush in seconds.

NOTE: Brushes should be replaced when the bristles are less than ½" (12.77 mm) long.

1. Raise the scrubhead.

2. Turn the scrub brush by hand until the brush locking spring is accessible.
3. Squeeze the ends of the locking spring using a downward motion and the brush will release from the driver.
4. Install the new brush by positioning the socket in the brush with the driver the on the scrub motor
5. Lift the brush until the brush retainer springs over the driver locking it into position
6. Check to make sure that the brush is properly engaged.

Scrubhead Gauge Adjustment

1. Raise the scrubhead to the full UP position.
2. Locate the linkage attached to the frame above the scrubhead.
3. Loosen the set screw (the bolt running through the arm).
4. Turn the potentiometer shaft until the gauge needle points to the white dot at the left of the gauge.
5. Re-tighten the set screw. **DO NOT OVER TIGHTEN!**

NOTE: A gauge that is nonfunctional does not indicate that the scrubhead is nonfunctional. The scrubhead will continue to operate.

MAIN SQUEEGEE COMPONENTS

CHECKING and Adjusting the Rear Main Squeegee Flare

NOTE: Perform check # 18 before proceeding to make adjustments

1. Park the machine on a flat surface. Lower the squeegee.
2. Turn the machine off and engage the parking brake.
3. Open the access doors to the disc scrub brushes.
4. Locate & remove the pull pins for the side squeegees, remove the side squeegees.
5. Lower the squeegee assembly
6. Release the quick-disconnect at the back of the rear squeegee.
7. Loosen the locking nut on the squeegee caster and screw the caster up until it clears the floor. With the squeegee straight up on the floor (no flare), adjust the caster until it clears the floor by $\frac{1}{2}$ " (12.7 mm). Use a $\frac{1}{2}$ " (12.7 mm) shim spacer of metal or wood as a feeler gauge for this procedure. This is a starting reference.
8. Locate the squeegee lift arms on each side of the machine.
9. Loosen the bolt which attaches the upper squeegee lift arm to the squeegee mounting plate on each side.
10. Locate and loosen both jam nuts on each squeegee tilt adjustment link and back them away from the gussets. The rear squeegee is now free to be aligned with the floor. Lift the squeegee tool by hand and allow it to rest back on the floor, this will seat the tool to the floor. Again it should stand straight on the floor with no flare.
11. Check the squeegee rubber to make sure the squeegee makes contact with the floor all the way around.
12. At each squeegee arm mount, turn the two jam nuts on the tilt adjusting link until they both make contact with the mounting plate on each side.
13. Tighten the jam nuts on each mount plate. Then tighten the bolt on top of each of the two upper squeegee arms.

14. Tighten the nut on the caster.
15. Reattach the squeegee lift linkage.
16. With the squeegee in the down position, Impeller on drive the machine forward approximately two feet (.61 meters) and set foot brake. Examine the flare in the squeegee rubber to see that it is uniform around the entire parabola. If not, go through Steps 4-17
17. Test unit for water pick up

NOTE: Raising the squeegee caster allows for more flare, use the tilt adjustments to even the flare.

Turning or Replacing the Rear Squeegee Blade

The rear blade on the main squeegee frame has four different edges that may be used: the front and back lower edge and the front and back upper edge. When the edge in use becomes worn to the midpoint of thickness, turn the rubber to an unused edge in the order indicated:

1. Front Lower Edge,
2. Opposite Lower Edge,
3. Front upper Edge and
4. Opposite Upper Edge.

Removal and replacement instructions follow. This procedure can be performed with the squeegee tool on or off the machine.

NOTE: Removal and replacement of the inner squeegee rubber is easier if the squeegee frame is removed from the machine.

1. Unlatch the clamping strap at the center of the squeegee frame and remove the 2 outer knobs.
2. Remove the metal strap, the two back-up strips and the outer squeegee blade.

3. Turn the side ends of the squeegee blade 180°, or turn the rubber upside down to expose an unused edge. Reposition the blade on the pins of the squeegee frame.
4. Reposition the first back-up strip using the top holes.
5. Reposition the second back-up strip using the bottom holes.
6. Reposition the metal strap and reattach the two outer knobs.
7. Reattach the straps at the center being careful not to bunch the blade.

NOTE: Replace the back-up strips only if they lose their elasticity.

Main Squeegee Tool Removal

All machines are equipped with auto-squeegee lift. To remove the squeegee tool, proceed as follows:

1. Engage the parking brake and chock the wheels.
2. Lower squeegee & pull the pin at the rear of the squeegee tool.
3. Remove the knobs at the square lift arms supports.
4. Disconnect the vacuum hose from the squeegee.
5. Lift the supports up off the pins on the squeegee frames and slide the squeegee away from the machine.

Main Squeegee Tool Installation

1. At the back of the machine, push the squeegee under the machine into position.
2. Attach the lift arms to the supports onto the pins on the squeegee frame.
3. On each side of the squeegee, attach the hand knobs (one on each side) to the squeegee frame supports.
4. Connect the quick-release pin to the squeegee.
5. Connect the vacuum hose to the squeegee.

Inner Squeegee Replacement

The inner squeegee is a component of the rear squeegee assembly. When the squeegee is down, locked and the rear squeegee blade is flared, check to see if the inner squeegee has become too worn to make proper even contact with the floor.

1. Remove the main squeegee tool (see removal instructions).
2. Remove the nuts on the front of the inner squeegee frame.
3. Remove the strap and the inner squeegee rubber.
4. Install the new inner squeegee rubber.
5. Position the strap and secure with the nuts.

Auto Squeegee Lift Mechanism

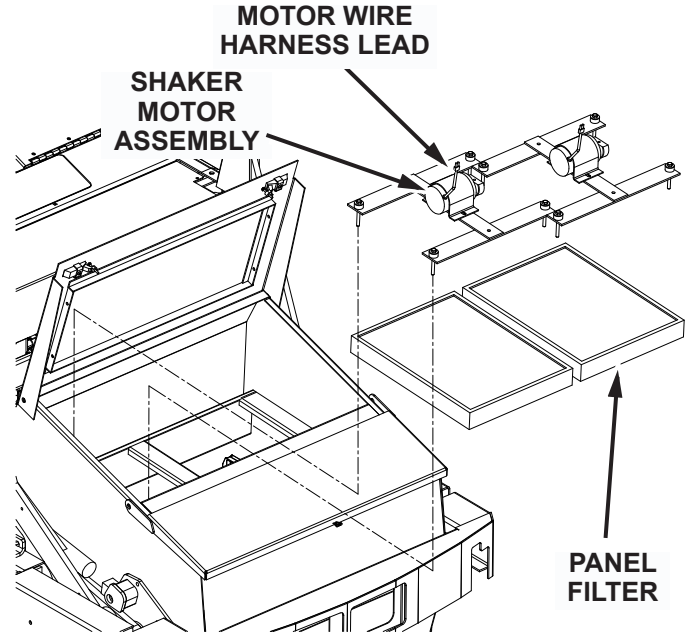
Bearing Replacement: If any binding occurs in the lift apparatus, replace the bushings, spacers and fiber glide bearings located on the squeegee lift assembly as necessary.

NOTE: Bent components may cause binding.

HOPPER

Hopper Filter Removal

1. Release the latches on the hopper hood and raise the hood.
2. Disconnect the wire harnesses leading to the filter shaker motors.
3. Remove the four bolts securing the each shaker motor assembly to the hopper.
4. Remove the shaker motor assemblies.
5. Lift out the panel filters.



Hopper Filter Cleaning

The dust control filter is a polyester type element filter. It may be vacuumed, blown out with compressed air, tapped against the floor or washed with soap and water.

1. If blown out with compressed air, use 100 psi or less.
2. If washed with soap and water, use 40 psi water pressure or less.

NOTE: Make sure the filter is thoroughly dried while standing on its side before installing in the hopper. Do not install or use a wet filter. Drying time is approximately 72 hours if air dried.

Hopper Filter Replacement

1. Insert the panel filter.
2. Install the shaker motor assembly.
3. Install and tighten the four filter retaining screws and isolators.
4. Hook the wire harness to the filter shaker motors.
5. Close the hopper cover and secure the latch.

Flap Replacement

Flaps located at the entrance lip of the hopper must be replaced when worn or damaged. The flap panels may be replaced separately.

1. Park the machine on a level surface and engage the parking brake.
2. Raise the hopper.
3. Turn off the engine
4. Remove the flap retaining angle and worn or damaged flaps.
5. Install new flaps.
6. Replace the retaining angle.

Frame Seal Replacement

Front Frame Seal

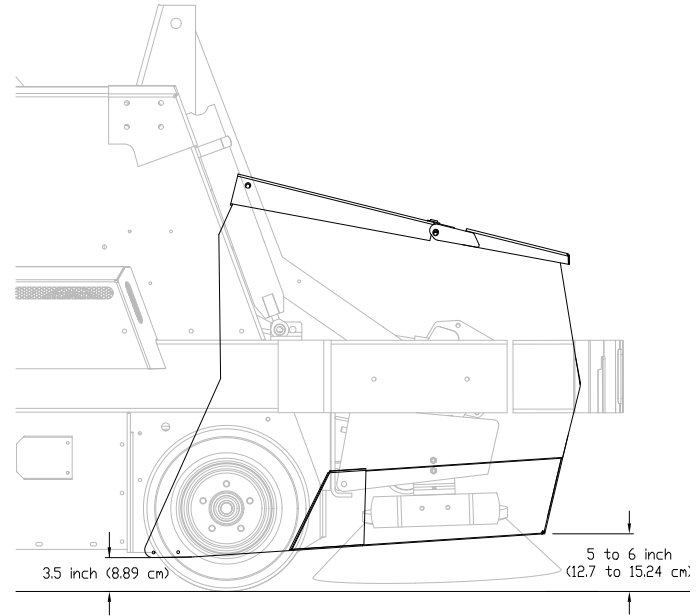
The hopper frame seal bolts to the front edge of the engine pan. Install a new seal by folding it in half to align the holes. Doubled edge with holes goes on the bottom. Support the seal straight up while bolting the retainer bar in place. The seal should fall over the retainer bar after

Side Frame Seal

The side frame seals should clear the floor by at least $\frac{1}{8}$ " (3.18 cm). If the bottom of a side seal measures $\frac{1}{2}$ " (1.27 cm) or more above the floor, readjust it or replace it by removing the bolts on the inside of the wheel wells, installing a new seal, and securing it with the bolts. The double edge with the holes goes toward the front.

Floor Clearance

In order to perform properly, the hopper must maintain a distance of 3½” (8.89 cm) from the floor to the rear hopper entrance lip. The front of the hopper should be adjusted so that the front bumper aligns with the hopper frame where the two meet. When properly adjusted, the front edge of the hopper will be 5” (12.7 cm) to 6” (15.24 cm) from the floor. Refer to service manual for adjusting floor clearance.



Vacuum Gasket Mount Adjustment

1. With the hopper in the normal position, observe contact between the back of the hopper and gasket. If complete seal is not maintained, raise the high dump hopper.

⚠ WARNING

Do not rely upon the hydraulic cylinders to keep the hopper raised for maintenance. Always engage the safety arm before servicing the hopper.

2. Loosen the mounting bolts in the gasket mount. Move the assembly toward the hopper. Tighten the bolts. Test and repeat if necessary.

PARKING BRAKE

Normal adjustment of the parking brake can be accomplished from the operator compartment. Locate the knurled handle on the parking brake lever. Turn the handle clockwise to increase brake tension.

NOTE: Two or three turns is usually adequate. DO NOT OVERTIGHTEN.

If this adjustment becomes ineffective, it will be necessary to adjust the cable length.

Adjusting The Parking Brake Cable Length

1. Park the machine on a level surface and chock the wheels.
2. Place the parking brake lever in the OFF position.
3. Turn the knurled handle counter-clockwise to loosen the tension as far as possible.
4. Locate the cable clevis ends for the parking brake cables in the left front wheel well.
5. Disconnect the clevis ends from the bar.
6. Loosen the jam nuts at the base of the clevis.
7. Turn the clevis clockwise three or four complete turns.
8. Tighten the jam nuts and re-install the clevis ends onto the bar.
9. Adjust the knurled handle on the parking brake lever.

Cable Adjustment for Standard brake

1. Locate the parking brake cable in the top of the left wheel well opening.
2. Loosen the locking nut located against the hex bar.
3. Thread the cable end into the hex bar.
4. If threads are not sufficient for adjustment, disconnect the springs, move the cable bars to the next adjusting hole on the hex bar and reconnect the springs.
5. Retighten the locking nut against the hex bar. This adjusts both sets of brake shoes.
6. Test the brakes. Readjust if necessary.

CHANGING SOLID TIRES

NOTE: The procedures which follow apply to **SOLID TIRES ONLY.**

Front Tire

1. Remove the tire from the vehicle by removing the five inner lug nuts.
2. Remove the ten hex head bolts and nuts.
3. Press the tire from the rim.
4. Press the large rim half into the new tire.
5. Mount the small rim half and secure with hex head bolts.
6. Reinstall the tire on the machine

Rear Tire

The rear tire is a special traction rubber compound press-on type tire.

MISCELLANEOUS ADJUSTMENTS

Anti-Static Chain Adjustment

Each machine is equipped with an anti-static chain bolted to the back wall of the broom chamber. This should remain in contact with the floor at all times. Inspect the chain every 200 operating hours. Replace if at least one link does not drag the surface of the floor.

Latch and Hinge Maintenance

Latches and hinges should be inspected after every 500 hours of use. Retighten and oil if necessary.

Cables

Inspect all cables for wear every 500 hours.

TROUBLESHOOTING

This section provides information to assist in identifying maintenance trouble and provides possible causes and actions to correct the problem.

TROUBLESHOOTING CHART		
PROBLEM	POSSIBLE CAUSE(S)	SOLUTION(S)
Engine will not start or runs roughly after start. NOTE: On machines with LPG fuel, also check the following:	Battery dead.	Recharge or replace battery.
	Machine out of fuel.	Refuel
	Fuel filter plugged.	Clean or replace filter.
	Fuel line broken or obstructed.	Blow fuel line out with compressed air.
	Dirty air filter.	Clean or replace air filter.
	Problems with spark plugs, ignition points, ignition coil ignition switch, carburetor, regulator, wiring harness.	Review engine manual at back of this manual for maintenance and troubleshooting procedures.
	Tank valve not fully opened.	Open the valve slowly.
	Fuel tank type does not match fuel supply.	Use the correct tank type for the fuel supply.
	Fuel tank and lines are covered with frost.	Open shut-off valve slowly to ¼ open, start.
Defective vacuum lock-off.	Replace or repair.	

TROUBLESHOOTING CHART

PROBLEM	POSSIBLE CAUSE(S)	SOLUTION(S)
Engine overheats. NOTE: If coolant loss has not occurred, check for malfunction of the temperature sending unit.	Low coolant level.	Supply coolant.
	Fan blade installed incorrect	Reinstall (pusher type fan)
	Clogged radiator.	Flush radiator.
	Loose fan belt.	Tighten belt.
	Defective thermostat.	Replace thermostat.
PowerBoss® moves slowly or does not move.	Parking brake is on.	Release brake.
	Directional control pedal jammed, damaged, or not adjusted properly.	Clear jam or adjust linkage.
	Tow valve in tow position	Move to drive position
	Low hydraulic fluid level.	Add hydraulic fluid.
	Hydraulic fluid temperature too high and too thin caused by excessive load, climbing, high environment temperatures, worn pump, or improper fluid.	Use the proper weight oil for the operation conditions; check pump.
	Hayes coupler failed	Replace
	Other problems with the hydraulics system: pump failure, motor failure, relief valve leaking or stuck open.	See Hydraulics System Problems in this section.
	Tow Valve improperly set.	Turn to correct position.

TROUBLESHOOTING CHART		
PROBLEM	POSSIBLE CAUSE(S)	SOLUTION(S)
PowerBoss® creeps in neutral.	Directional control pedal return spring is out of adjustment.	Perform the adjustment procedures.
Brushes do not turn or turn very slowly.	Hydraulic system problem:	See Hydraulics System Problems in this section.
	Motor	
	Control valve	
	Gear pump	
	Relief valve	
	Brush switch not on	Press to on position
	Foot pedal not depressed	Press to forward position
Little or no vacuum in brush compartment.	Filters clogged.	Clean filters.
	Leak or clog in hose from impeller.	Repair leaks; clear obstructions or replace hose.
	Impeller failure.	Check and repair.
Scrubhead will not lower.	Fuse blown.	Replace fuse.
	Loose scrubhead switch wires.	Connect wires.
	Loose connection of plug at actuator.	Connect.
	Defective actuator.	Replace actuator.
	Defective scrubhead switch.	Replace switch.

TROUBLESHOOTING CHART		
PROBLEM	POSSIBLE CAUSE(S)	SOLUTION(S)
Poor water pick-up	Recovery tank is full.	Empty the tank; if foaming badly, change detergent.
	Squeegee worn.	Replace squeegee.
	Debris caught in squeegee or pick-up tube.	Remove debris.
	Leak or clog in hose from impeller.	Repair leak, clear obstruction or replace hose.
	Squeegee out of adjustment.	Adjust squeegee.
	Engine not operating at high speed.	Check Throttle Switch Position
	Impeller failure.	Check and repair.
Solution not being delivered.	Solution tank is empty.	Fill tank.
	Solution pump not on.	Check Switch
	Solution flow valve not functioning	Check broom switch & pressure switches @ main pump
	Delivery lines clogged.	Clear lines.
	Fwd/Rev Pedal not depressed	Press pedal
	Solution valve out of lever adjustment.	Adjust.

TROUBLESHOOTING CHART		
PROBLEM	POSSIBLE CAUSE(S)	SOLUTION(S)
Scrubber unit not cleaning the floor.	Brushes worn.	Replace.
	Need different type of brush or detergent.	Use manufacturer's recommended brushes / detergent.
	Debris caught in brush drive mechanism.	Clear obstruction.
	Brushes out of adjustment.	Adjust.
	Brush motor failure.	See Hydraulics System Problems.
Squeegee will not lower.	Loose or defective squeegee switch (on console).	Reconnect wiring or replace switch.
	Loose wire(s) at foot pedal.	Connect.
	Foot pedal switches need adjustment.	Re-adjust cams.
Squeegee will not raise in reverse or by console switch.	Foot pedal switches need adjustment.	Re-adjust cams.
	Defective waterman valve	Check coil @ valve
	Lift springs worn out or missing.	Replace springs.
	Bad ground at valve.	Check ground.
	No power at valve.	Check fuse
	NOTE: Power At The Waterman Valve = Squeegee In The Up Position No Power At Valve = Squeegee In Down Position	

TROUBLESHOOTING CHART

PROBLEM	POSSIBLE CAUSE(S)	SOLUTION(S)
Loss of dust control.	Debris in hose or impeller inlet.	Clean.
	Broom skirts or seal worn.	Replace.
	Skirt clearance from floor exceeds 1/8".	Adjust clearance.
	Dust control filters clogged.	Clean filters.
	Filter seals worn or missing.	Replace.
	Poor seal with vacuum gasket.	Visually check and adjust, if necessary.
Sweeper unit leaving debris.	Hopper full.	Dump hopper.
	Broom(s) out of adjustment.	Adjust.
	Broom bristles worn.	Check broom for wear and adjustment.
	Poor performance of broom drive mechanism.	Check for jam in broom chamber.
	Broom lift arms hung up with debris.	Clear out debris.
	Hopper flaps damaged or missing.	Replace or adjust clearance.
	Hopper out of adjustment.	Check hopper clearance.
	Dust control filters clogged.	Clean filters.
Hopper lift cylinder failure.	Line to cylinder leaking.	Tighten fittings or replace hose.
	Piston seals leaking.	Replace seals.
	Bent piston rod.	Replace rod.

TROUBLESHOOTING CHART

PROBLEM	POSSIBLE CAUSE(S)	SOLUTION(S)
Hopper does not raise or lower.	Hydraulics system problem:	See Hydraulics Systems Problems in this section.
	Control valve	
	Gear pump	
	Lift cylinder	
	Relief valve	
	Hopper arms binding.	Lubricate or adjust arm linkage.
Hopper does not rotate or rotates too slowly.	Hopper load too heavy.	Dump more frequently.
	Hydraulics system problem:	See Hydraulics System Problems in this section.
	Control valve	
	Gear pump	
	Lift cylinder	
	Relief valve	
Hydraulic control valve failure	Misaligned control linkage.	Align.
	Foreign matter in spool bore.	Remove spool and clean bore.
	Valve seals Leaking.	Replace seals.
	O-rings leaking.	Replace O-rings
	Relief valve stuck open.	Clean or replace relief valve.

TROUBLESHOOTING CHART

PROBLEM	POSSIBLE CAUSE(S)	SOLUTION(S)
Hydraulic drive motor failure.	Insufficient oil supply	Fill Reservoir
	Motor leaking.	Replace seals.
	Drive pump coupler failed	Replace
	Key on motor shaft failed	Replace key
	Drive hub failed	Replace
	Output shaft malfunction.	Replace output shaft and bearings.
Hydraulic gear pump failure.	Pump leaking.	Replace seals or RR Pump
	Drive coupler failed	Replace
	Gears worn or scored.	Rebuild pump or RR Pump
	Relief valve stuck.	Clean or replace (at control valve).
	Oil supply low.	Check and fill.
	Oil strainer clogged.	Replace strainer (inside reservoir).
	Incorrect oil.	Use recommended viscosity oil.
	Damage due to entry of air into hydraulic system.	Maintain correct hydraulic fluid level in reservoir. Keep suction hose fittings tight..

TROUBLESHOOTING CHART

PROBLEM	POSSIBLE CAUSE(S)	SOLUTION(S)
Hydraulic variable displacement pump failure.	Pump leaking.	Replace seals.
	Relief valve(s) stuck.	Clean or replace relief valve(s) at the pump.
	Drive coupling malfunction.	Replace defective gears.
	Control linkage out of adjustment.	Check to see if linkage is binding unfastened.
	Charge pump gears worn or scored.	Replace defective gears.
	Damage due to entry of air into hydraulic system.	Maintain correct hydraulic fluid level in reservoir. Keep suction hose fittings tight.
Hydraulic system noisy.	Air in system.	Check fluid level in reservoir; check for loose connections or leaks.
	Relief valve dirty or damaged.	Clean or replace.
	Loose suction line.	Tighten fittings.
	Clogged section filter or pump inlet line.	Replace filter, clear line; change fluid in reservoir if dirty and flush system.
	Internal pump or motor damage.	Inspect and repair.

Revision F

Effective November 1, 2008

PowerBoss Made Simple Industrial Limited Warranty

Minuteman International owner of PowerBoss warrants to the original purchaser/user that the product is free from defects in workmanship and materials under normal use. PowerBoss will, at its option, repair or replace without charge, parts that fail under normal use and service when operated and maintained in accordance with the applicable operation and instruction manuals. All warranty claims must be submitted through and approved by factory authorized repair stations.

This warranty does not apply to normal wear, or to items whose life is dependent on their use and care. Parts not manufactured by PowerBoss are covered by and subject to the warranties and/or guarantees of their manufacturers. Please contact Minuteman International for procedures in warranty claims against these manufacturers.

Special warning to purchaser -- Use of replacement parts not manufactured by PowerBoss or its designated licensees, will void all warranties expressed or implied. A potential health hazard exists without original equipment replacement.

All warranted items become the sole property of Minuteman International or PowerBoss or its original manufacturer, whichever the case may be.

PowerBoss disclaims any implied warranty, including the warranty of merchantability and the warranty of fitness for a particular purpose. PowerBoss assumes no responsibility for any special, incidental or consequential damages.

This limited warranty is applicable only in the U.S.A. and Canada, and is extended only to the original user/purchaser of this product. Customers outside the U.S.A. and Canada should contact their local distributor for export warranty policies. PowerBoss is not responsible for costs or repairs performed by persons other than those specifically authorized by PowerBoss. This warranty does not apply to damage from transportation, alterations by unauthorized persons, misuse or abuse of the equipment, use of non-compatible chemicals, or damage to property, or loss of income due to malfunctions of the product. If a difficulty develops with this machine, you should contact the dealer from whom it was purchased.

This warranty gives you specific legal rights, and you may have other rights, which vary from state to state. Some states do not allow the exclusion or limitation of special, incidental or consequential damages, or limitations on how long an implied warranty lasts, so the above exclusions and limitations may not apply to you.

WARRANTY



	Travel*	Labor	Parts	Engine	Extended Warranty	Costs
Walk behinds						
Battery sweepers	Ninety days	One year	One year	N/A	2 years Parts + Labor (or 2000 Hours)	2%
IC sweepers	Ninety days	One year	One year	Through manufacturer	2 years Parts + Labor (or 2000 Hours)	2%
Battery scrubbers	Ninety days	Two years	Three years	N/A	3 Years Parts + Labor (or 3000 Hours)	2%
Riders						
Battery scrubbers	Ninety days	Two years	Three years/2000 hrs	N/A	3 Years Parts + Labor (or 3000 Hours)	2%
IC sweeper/scrubbers	Ninety days	Six months	Two years/2000 hrs	Two years/3000 hrs**	2 years Parts + Labor (or 2000 Hours)	3%
IC sweepers	Ninety days	Six months	Four years/3000 hrs	Five years/3000 hrs**	4 Years Parts + 2 Years Labor (or 4000 Hours)	3%
Exceptions						
Apex series sweeper	Ninety days	One year	One year/1000 hrs	One year/1000 hrs**	2 years Parts + Labor (or 2000 Hours)	3%
6X sweeper	Ninety days	Six months	Two years/2000 hrs	Two years/2000 hours**	2 years Parts + Labor (or 2000 Hours)	3%

Tank Bladders Eight years/ no additional labor
Polypropylene plastic tanks Ten years/ no additional labor
Batteries 0-3 months full replacement, 4-12 prorated credit
Chargers One-year replacement
Replacement parts Ninety days

*Two-hour cap

**Through engine manufacturer. See section 3 of warranty manual for engine warranty exceptions

*** Based upon dealer's certification status

Extended Warranty MUST be signed up within 30 days of delivery to End User (Dealer has 1Year from Receiving Machine to Sign up extended Warranty)

Extended Warranty Cost is based on Invoice Price multiplied by the Percentage listed in the Extended Warranty Column

All above labor and travel reimbursed at 65 or 75% of the published shop rate.

“The Power of Clean”

PowerBoss Is A Full Line Manufacturer Of Sweepers and Scrubbers For Industrial Facilities.