

Cyclone CY210 Diesel V1

PARTS LIST MANUAL

SWEEPERLAND.COM

800.626.7835

info@sweeperland.com



EQUIPMENT



PARTS



RENTALS



SERVICE



SUPPLIES

THIS PAGE INTENTIONALLY LEFT BLANK

TABLE OF CONTENTS:

DESCRIPTION	PAGE
Top Level Components Top View	2-3
Top Level Components Bottom View	4-5
Chassis & Drive.....	6-7
Casting, Spindle, Brush & Disk	8-9
Fan Assembly.....	10-11
Standard Return Pump Parts List- Optional.....	12-13
Macerator Return Pump Parts List- Optional.....	14-15

THIS PAGE INTENTIONALLY LEFT BLANK

HOW TO USE THIS MANUAL:

This manual is meant to be a guide for both ordering parts and understanding how they are assembled. This manual does not include all the pertinent information for proper assembly. Sealants, fastener torque specs and the like are not completely covered. This is not a service manual. If you are unsure whether you are assembling something correctly, please contact a Cyclone customer service technician for more information.

When using this manual please note that any description that includes the directions “right (RH)” or “left (LH)” refers to those directions from the perspective of an operator sitting in the seat of the machine. If any mention is made in a description of “driver’s side”, this refers to the vehicle’s left, when facing forward.

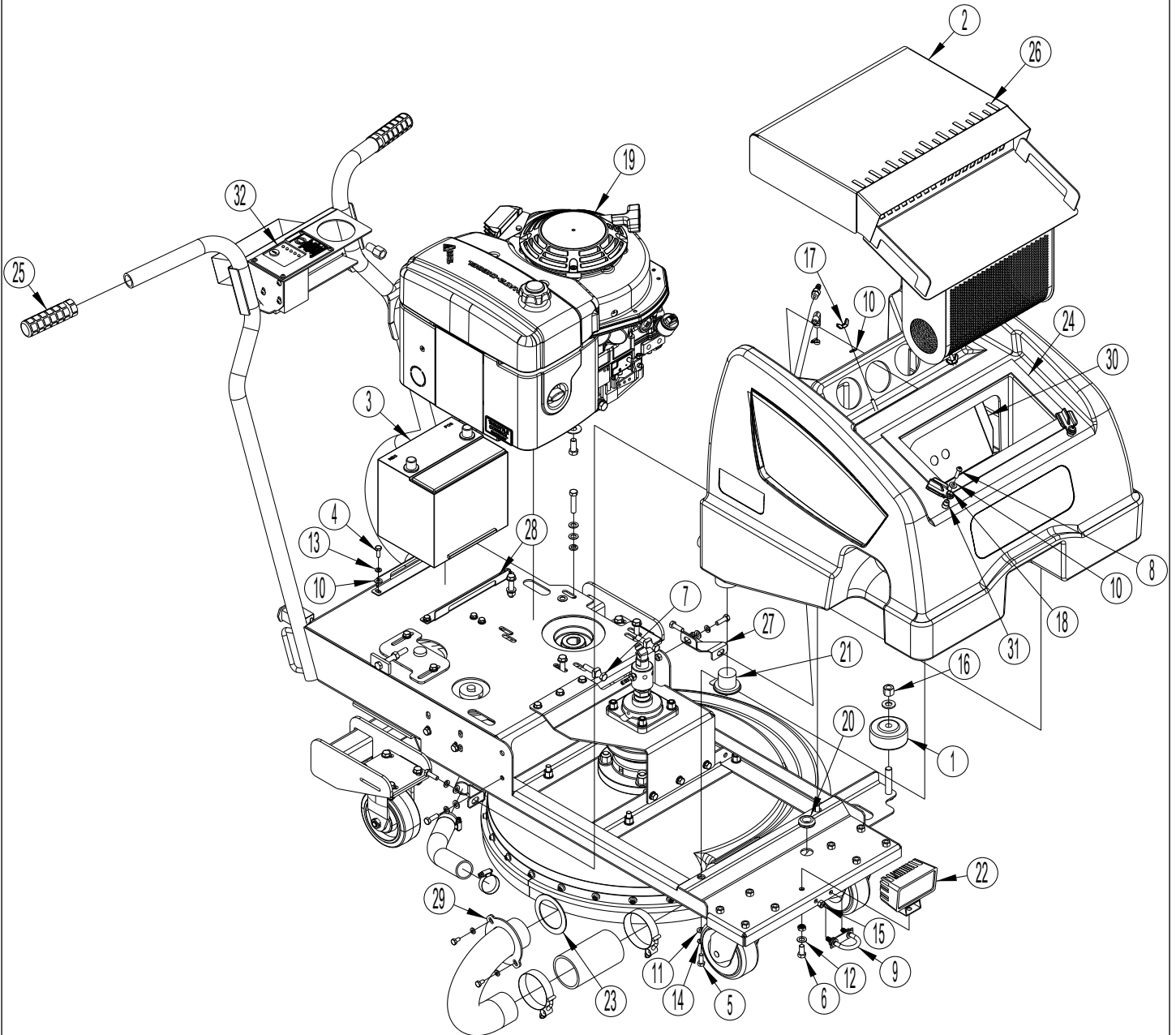
WHEN ORDERING PARTS

- * Use the Part numbers from the “Ref. No.” columns in this parts list.
- * Specify the model and serial number of the machine.
- * Use the space below to record the model and serial number for future reference.

Model

Serial No.

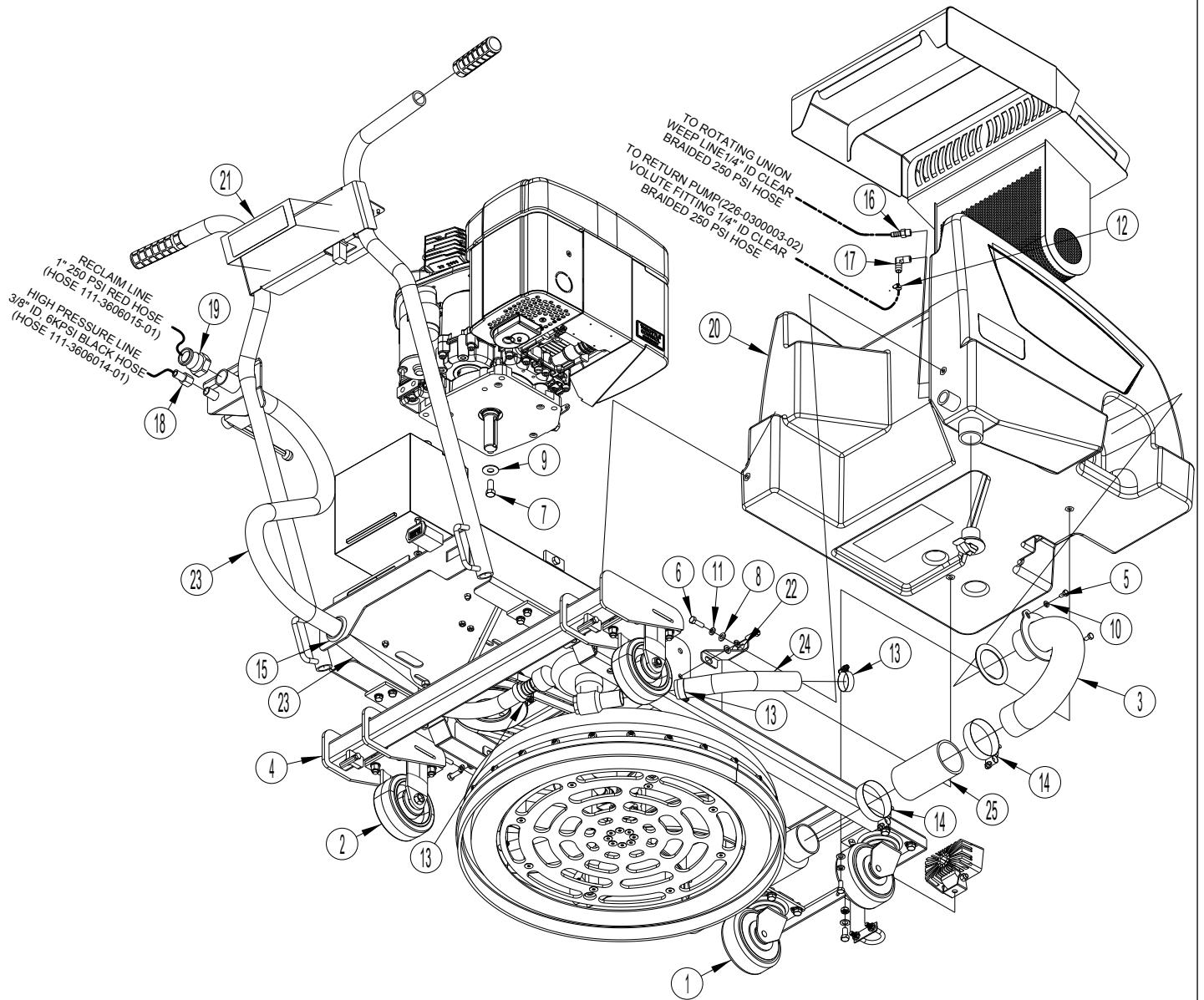
TOP LEVEL COMPONENTS TOP VIEW



TOP LEVEL COMPONENTS TOP VIEW

Item	Ref. No.	Qty.	Description
1	117-0000007-01	1	Wheel, 3.00 X 1.25
2	128-Cy21001-01	1	Weldt, Cover Assembly Insert
3	201-0201008-01	1	Battery, 12V, 45AH, Wet
4	204-0101003-07	4	Bolt, 1/4-20 X .75", Cap, G8, Zinc
5	204-0101014-08	2	Bolt, 5/16-18 X .75", Cap, G8, Zinc
6	204-0101027-07	1	Bolt, 3/8-16 X .75", Cap, G8, Zinc
7	204-0101045-07	2	Bolt, 3/8-16 X 2.0", Cap, G8, Zinc
8	204-0103001-20	2	Bolt, 1/4-20 X 1.0", BH, NP
9	204-0106002-01	1	U-Bolt, 5/16-18 X 1
10	204-0603002-07	10	Washer, 1/4" Flat, Hardened, SAE, Zinc
11	204-0603004-07	38	Washer, 5/16" Flat, Hardened, SAE, Zinc
12	204-0603006-07	43	Washer, 3/8" Flat, Hardened, SAE, Zinc
13	204-0604001-07	8	Washer, 1/4" Lock, Zinc
14	204-0604006-07	22	Washer, Lock, 5/16", G8, Zinc
15	204-0704003-07	11	Nut, Hex, 5/16-18 Lock, Nylon, Zinc
16	204-0704006-07	5	Nut, Hex, 1/2-13 Lock, Nylon, Zinc
17	204-0706001-01	2	Wing Nut, 1/4-20 Zinc
18	204-2301004-01	2	Latch, Plastic, NA, P/N 56510695
19	214-0100007-01	1	Engine, Diesel, CY210
20	215-0700006-01	1	Grommet, Push In, Rubber
21	216-0814007-01	1	Expanding Plug
22	218-0712012-01	1	Work light, 500LM, 12V, LED, CY210
23	228-3000009-01	1	Seal, Gasket, Port Tube, CY210
24	228-3100005-01	1	Seal, Poly Foam, .188" Thick
25	240-0500002-08	2	Cyclone Handlebar Grip
26	284-2100008-01	1	Decal, CY210, Path Aligning Markers
27	304-1501083-01	2	CY210 Tank Clip
28	304-1601031-01	2	Battery Tie Down, CY210
29	304-1602001-01	1	Tube Mount Flange
30	304-1702001-01	1	CY210 Baffle
31	418-0102001-01	2	CY200 Latch Pivot Spacer
32	501-0101800-01	1	Instrument Box, HATZ, 1B50V

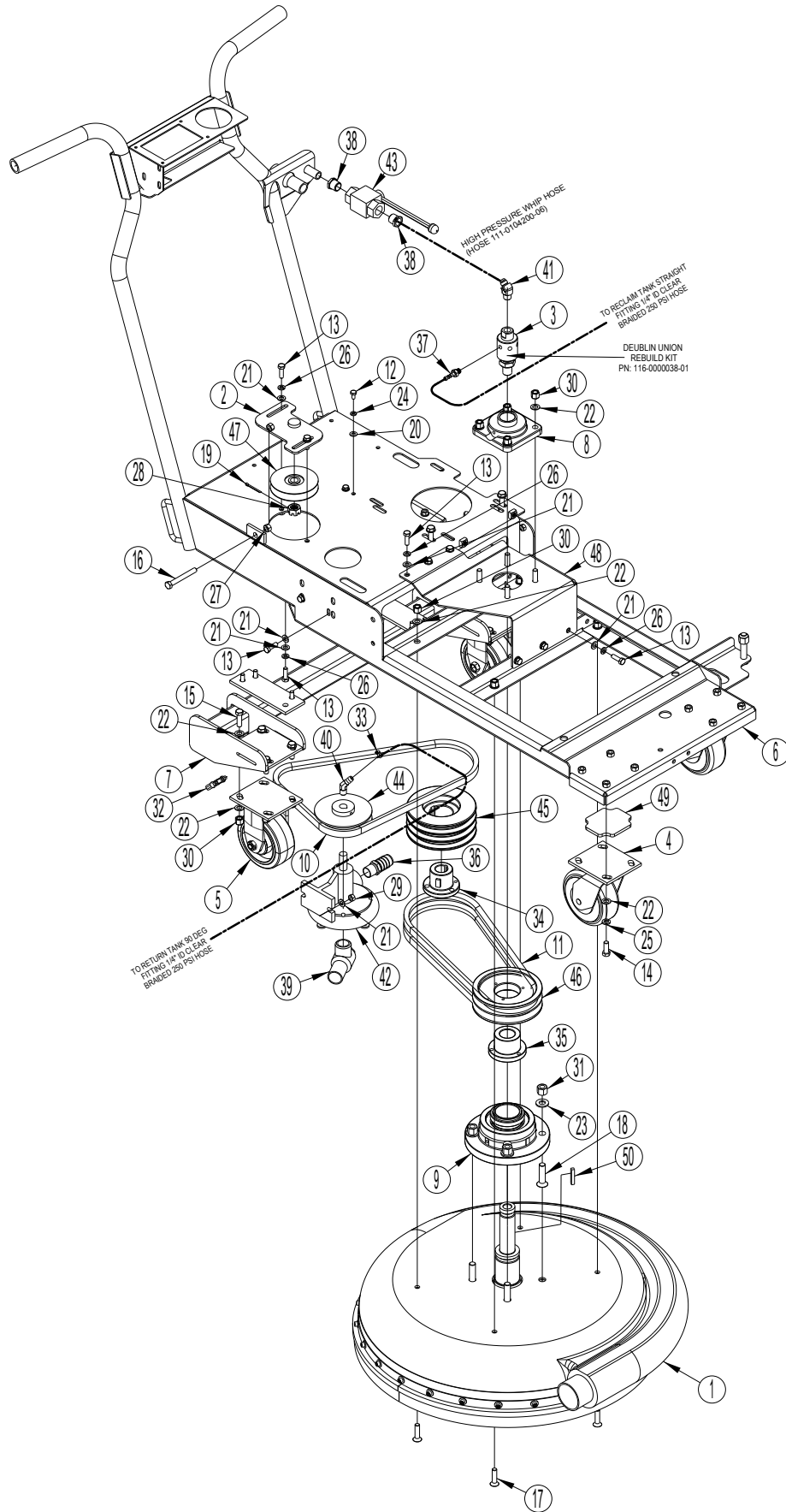
TOP LEVEL COMPONENTS BOTTOM VIEW



TOP LEVEL COMPONENTS BOTTOM VIEW

Item	Ref. No.	Qty.	Description
1	117-0000006-01	2	Caster, Swivel
2	117-0000010-01	2	Caster, Grey Wheel, 5x2, Rigid
3	128-Cy21008-01	1	Weldt, CY210 Port Tube Assy
4	128-Cy21026-01	1	CY210 Caster Axle Assy (Diesel)
5	204-0101001-07	4	Bolt, 1/4-20 X .5 Cap, G8, Zinc
6	204-0101014-07	22	Bolt, 5/16-18 X 1.0", Cap, G8, Zinc
7	204-0101107-07	1	Bolt, 7/16-20 X 1.0", Cap, G8, Zinc
8	204-0603004-07	38	Washer, 5/16" Flat, Hardened, SAE, Zinc
9	204-0603031-01	1	Washer, 7/16" Flat, OD 1.25, Zinc
10	204-0604001-07	8	Washer, 1/4" Lock, Zinc
11	204-0604006-07	22	Washer, Lock, 5/16", G8, Zinc
12	204-1005005-01	2	Clamp, Worm-Drive #6
13	204-1005010-01	4	Clamp, Worm-Drive #20
14	204-1007007-01	2	Clamp, T-Bolt, Number 300
15	215-0700007-01	1	Grommet, Push In Rubber
16	216-0101001-04	1	Fitting, ST, 1/4"MPT X 1/4", Barb, Brass
17	216-0201016-04	1	Fitting, 90, 1/4"MPT X 3/8"ID, Barb, Brass
18	216-0805003-02	1	Fitting, QU. Coupler, Plug X 3/8"FPT, SS
19	216-1300011-03	1	1" MCAM X 1" FPT, Aluminum
20	231-0300023-16	1	Return Tank-CY200
21	284-0100046-01	1	Serial Number Label, CY210
22	304-1501083-01	2	CY210 Tank Clip
23	407-0101004-01	2	Grey Water Return Hose
24	407-0101004-01	1	Hose-Cut, Bellows, 1-1/4"Id X 13"L- CY210
25	407-0101005-40	1	Port Tube Hose, 5 Inch

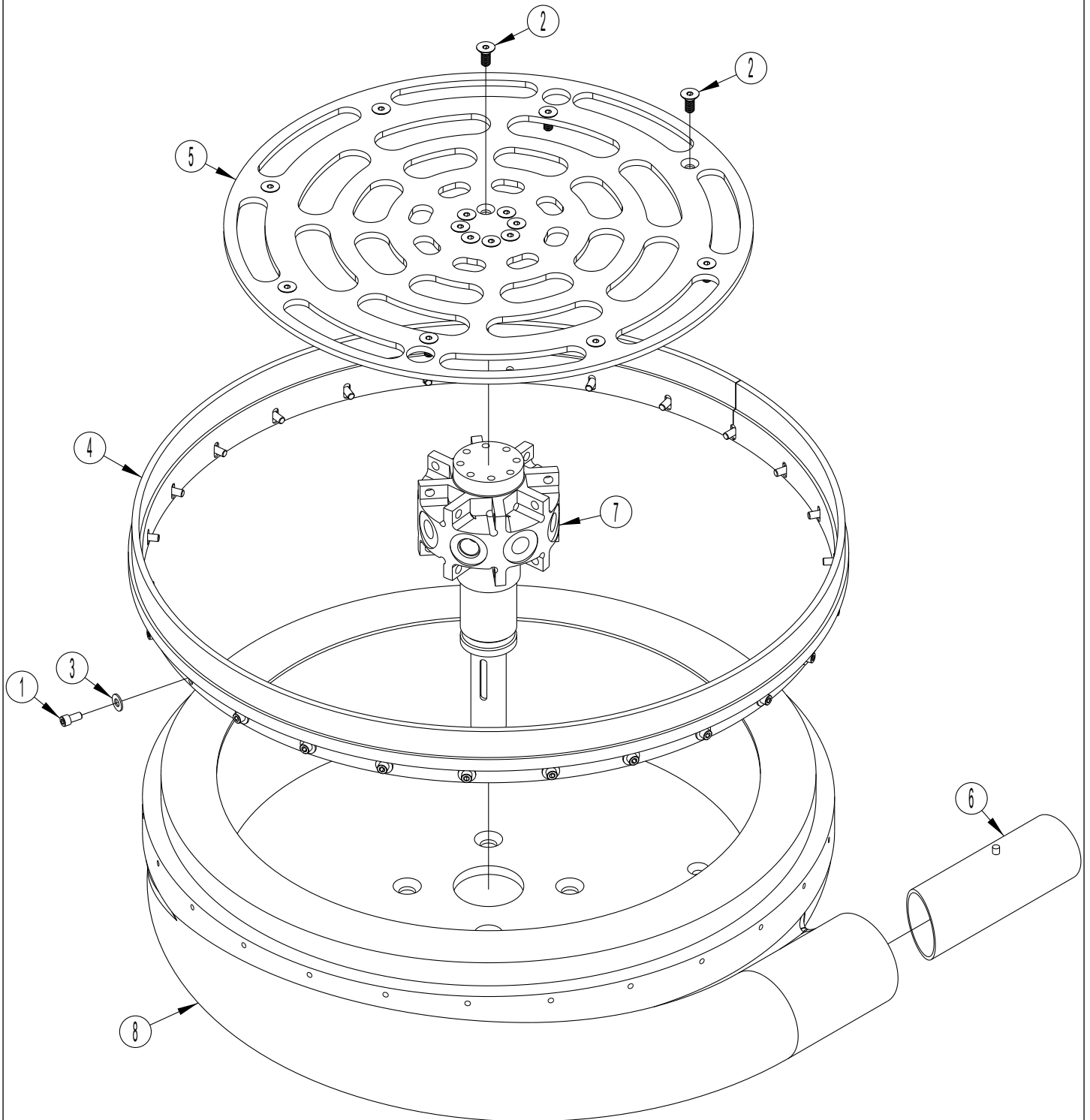
CHASSIS & DRIVE



CHASSIS & DRIVE

Item	Ref. No.	Qty.	Description
1	104-0000008-01	1	Cyclone Head 24 Inch LP
2	104-Cy21004-01	1	CY210 Belt Tensioner
3	115-0000009-02	1	Rotating Union 6000PSI -Rebuild Kit: 116-0000038-01
4	117-0000006-01	2	Caster, Swivel
5	117-0000010-01	2	Caster, Grey Wheel 5x2 Rigid
6	128-Cy21002-01	1	CY210 Chassis Sub-Assembly
7	128-Cy21026-01	1	CY210 Caster Axle Assy (Diesel)
8	202-0101003-01	1	Mounted Bearing VF4S-220S
9	202-0201003-01	1	Bearing, Roller 2 Inch Bore
10	203-0100005-01	1	V Belt, 45 Inch BX42
11	203-0100007-01	2	V Belt, 41 Inch BX39
12	204-0101001-07	2	Bolt, 1/4-20 X .5", Cap, G8, Zinc
13	204-0101014-07	18	Bolt, 5/16-18 X 1.0", Cap, G8, Zinc
14	204-0101028-07	8	Bolt, 3/8-16 X 1.0", Cap, G8, Zinc
15	204-0101029-07	8	Bolt, 3/8-16 X 1.25", Cap, G8, Zinc
16	204-0101154-07	1	Bolt, 3/8-16 X 3.0", THD To HD, Cap, G8, Zinc
17	204-0105012-20	4	Bolt, 3/8-16 X 1.50", FH, G8, NP
18	204-0105021-02	4	Bolt, 1/2-13 X 2.0", FH, G8, NP
19	204-0502004-01	1	Cotter Pin, 1/8" Grainger, 5TE77
20	204-0603002-07	2	Washer, 1/4" Flat, Hardened, SAE, Zinc
21	204-0603004-07	28	Washer, 5/16" Flat, Hardened, SAE, Zinc
22	204-0603006-07	35	Washer, 3/8" Flat, Hardened, SAE, Zinc
23	204-0603010-07	4	Washer, 1/2" Flat, Hardened, SAE, Zinc
24	204-0604001-07	2	Washer, 1/4" Lock, Zinc
25	204-0604003-07	10	Washer, 3/8" Lock, Zinc
26	204-0604006-07	16	Washer, Lock, 5/16", G8, Zinc
27	204-0703005-07	1	Nut, Hex, 3/8-16 G8, Zinc
28	204-0703018-07	1	Nut, 5/8-11 Slotted, Zinc
29	204-0704003-07	10	Nut, Hex, 5/16-18 Lock, Nylon, Zinc
30	204-0704004-07	16	Nut, 3/8-16 Lock, Nylon, Zinc
31	204-0704006-07	5	Nut, Hex, 1/2-13 Lock, Nylon, Zinc
32	204-0800010-01	2	Steel Safety-Pin Shackle, 1/4"T
33	204-1005005-01	1	Clamp, Worm-Drive #6
34	207-0201006-01	1	Bushing, Split Taper,
35	207-1101005-01	1	Bushing, SD, 1-1/4 Bore
36	216-0101010-04	1	3/4" MPT X 1" Barb
37	216-0101027-02	1	Weep Stem
38	216-0102015-01	2	Fitting, 1/2"Mpt X 3/8"FPT Bushing, Steel
39	216-0201023-02	1	WELDT, Price Pump 90 Fitting
40	216-0301001-04	1	45 Degree, 1/4"MPT X 3/8" Barb
41	216-0310021-01	1	Fitting, 45 #6MJIC X 3/8MPT, Steel
42	223-0300004-01	1	Return Pump With Pedestal
43	235-0100009-01	1	Ball Valve, 1/2 FPT 2 Way
44	236-0200032-01	1	Pulley,
45	236-0200039-01	1	Sheave, 3-Groove Pulley
46	236-0300028-01	1	Sheave, 2-Groove
47	236-0600002-01	1	Pulley
48	304-1601015-01	1	Weldt, CY200 Top Bearing Plate
49	304-1601040-01	2	Spacer, Front Caster, CY210 .25" AL.
50	320-0100532-01	1	Key, CY210, Engine Shaft

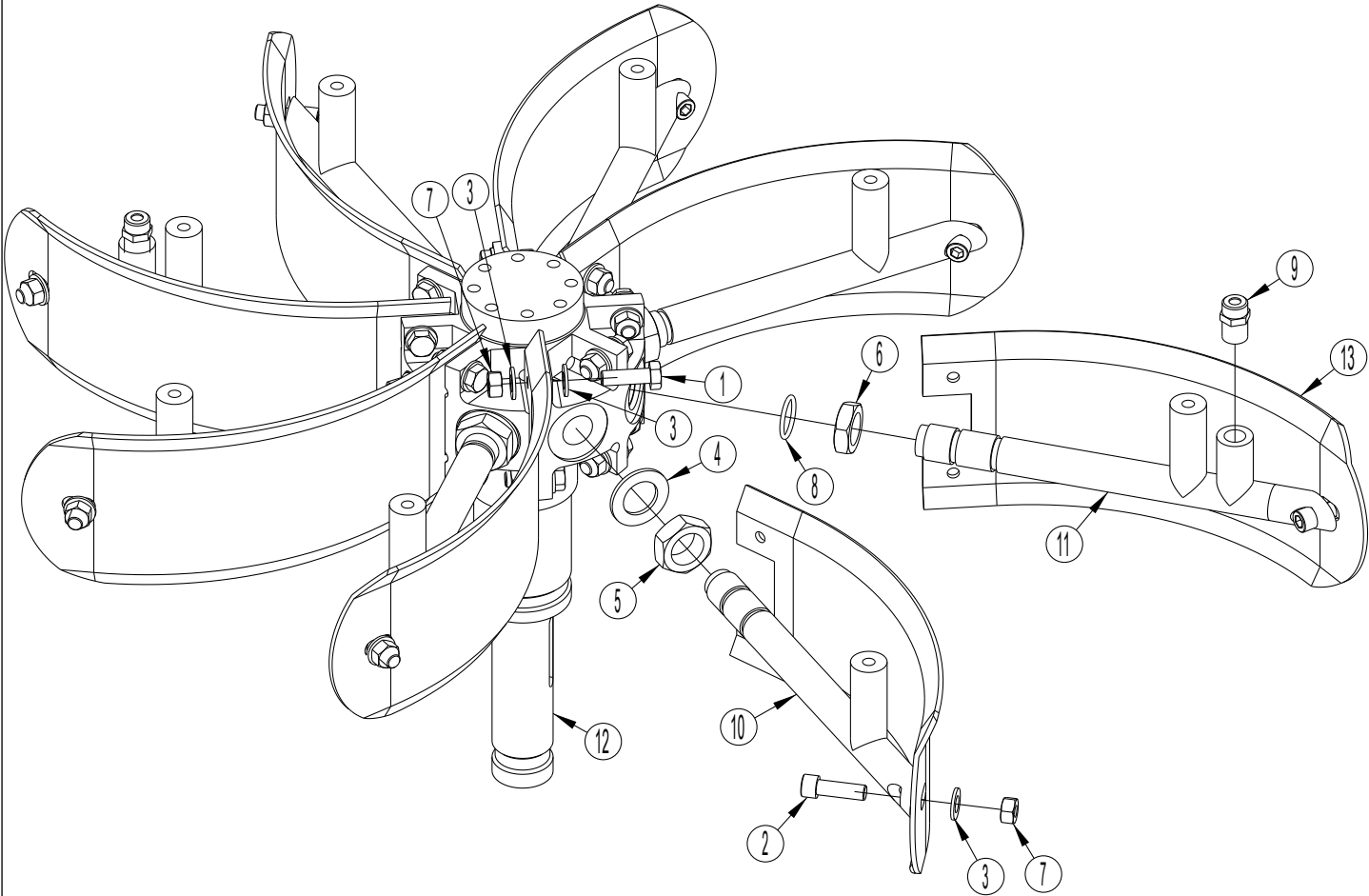
CASTING, SPINDLE, BRUSH & DISK



CASTING, SPINDLE, BRUSH & DISK

Item	Ref. No.	Qty.	Description
1	204-0104003-20	26	Bolt, 1/4-20 X 0.5 SH, G8, NP
2	204-0105027-02	16	Bolt, 5/16-18 X .75 FH, SS
3	204-0603003-07	26	Washer, 1/4", Flat, Zinc
4	205-0115003-01	1	Cyclone Brush Assembly, 24 Inch
5	304-0103004-02	1	Cyclone Disk, 24 Inch Standard
6	310-1302005-01	1	Port Tube, 24 Inch Cyclone
7	313-0200001-10	1	Spindle, Cyclone LP4500 Model
8	317-0301024-01	1	Housing, Cyclone, 24 Inch

FAN ASSEMBLY



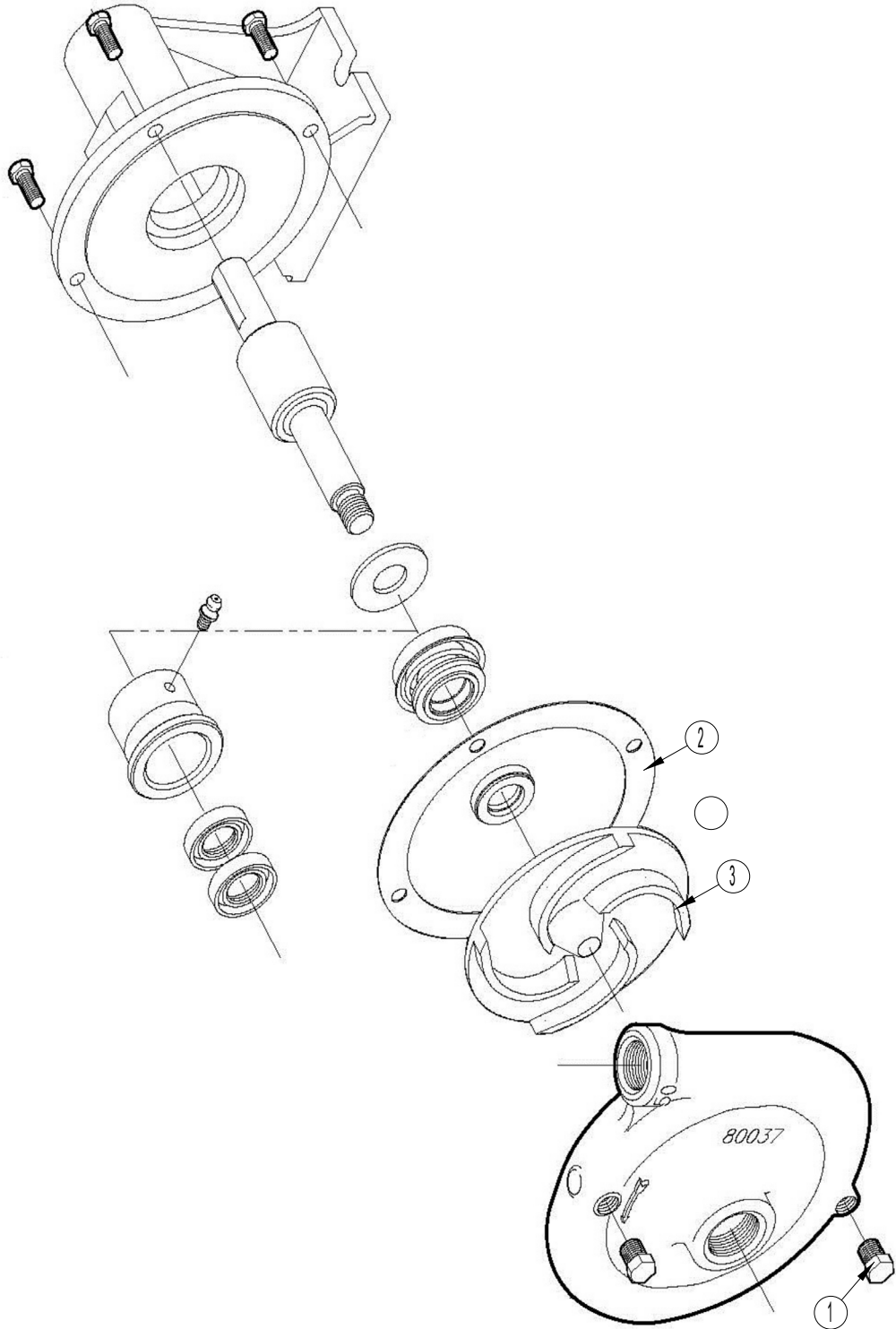
FAN ASSEMBLY

Item	Ref. No.	Qty.	Description
1	204-0101014-07	64	Bolt, 5/16-18 X 1.00, Cap, G8, Zinc
2	204-0104035-02	32	Bolt, 5/16-18 X 1.00, SH, SS
3	204-0603004-07	160	Washer, 5/16" Flat, Hardened, SAE, Zinc
4	204-0603014-02	24	Washer, 3/4" Flat, Stainless
5	204-0702003-07	24	Nut, Jam, 3/4-16 RH, Zinc
6	204-0702005-07	8	Jam, Nut, Hex 3/4-16, Blue
7	204-0704003-07	96	Nut, Hex, 5/16-18 Lock, Nylon, Zinc
8	228-0102006-01	2	O Ring, Viton 90
9	230-0200016-13	2	Nozzle, 1/4" MEG 40 DEG, 3.50GPM
10	303-0102014-01	6	Cyclone 24 Inch Blade Bar
11	303-0102016-01	2	Cyclone Spray Bar, 24 IN, 10KSI
12	313-0200001-10	1	Spindle, Cyclone LP4500 Model
13	316-0100002-01	8	Blade, Cyclone, CS 24 Inch

Rebuild Kits

A	116-CYCL001-02	Hardware Kit, Items 1-7
---	----------------	-------------------------

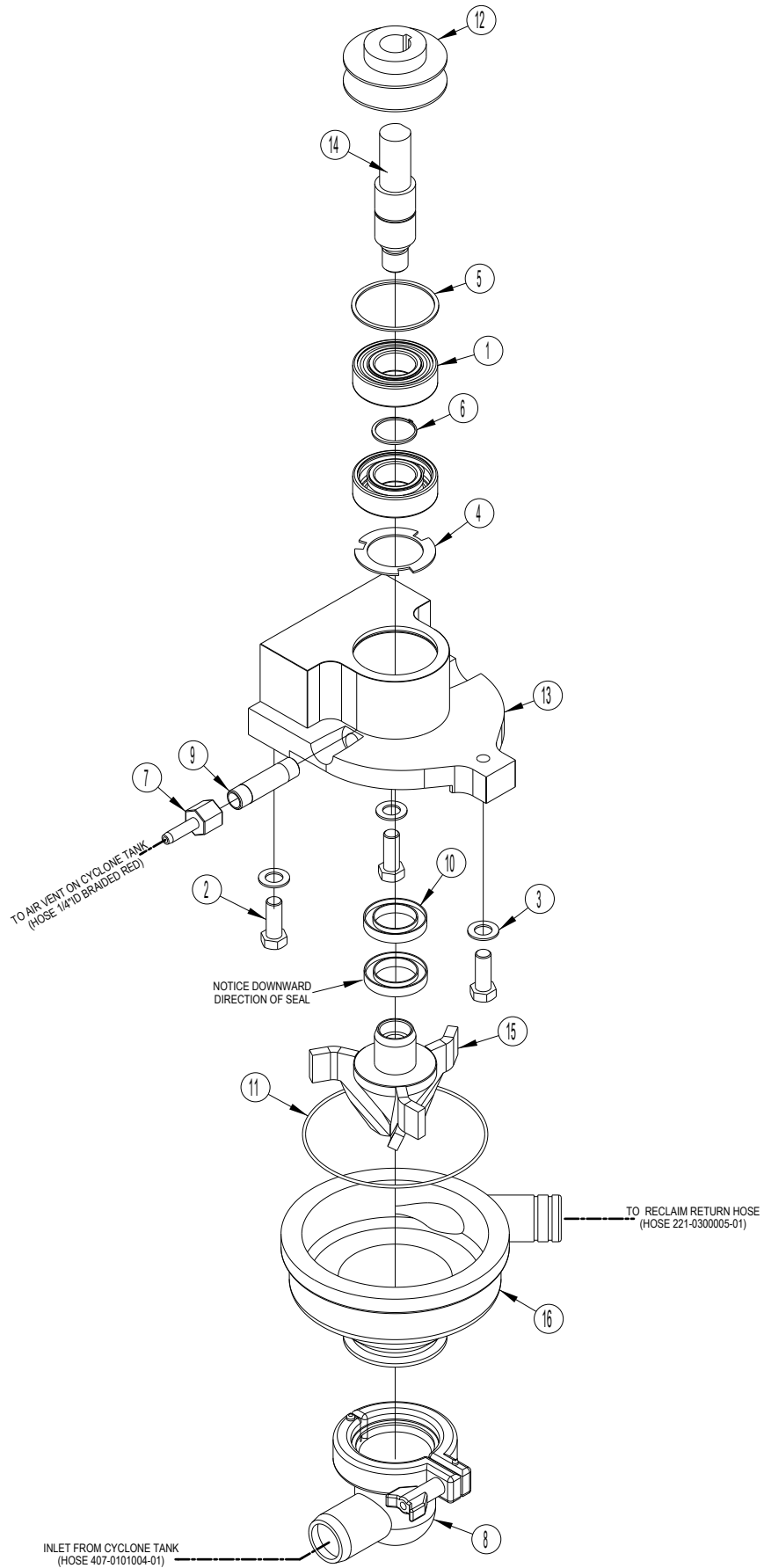
STANDARD RETURN PUMP PARTS LIST- OPTIONAL



STANDARD RETURN PUMP PARTS LIST- OPTIONAL

Item	Ref. No.	Qty.	Description
1	216-0802019-01	2	Fitting, St, Plug, 1/8", Hex-Head, Steel
2	228-3100010-01	1	Gasket, Price Pump
3	266-0100001-01	1	Impeller, Sweeper Pump, Price Pump
Rebuild Kits			
A	116-4500034-01		Kit, Rebuild, Price/Charge Pump
B	116-4500035-01		Kit, Rebuild W/ Impeller, Price/Charge Pump

MACERATOR RETURN PUMP PARTS LIST- OPTIONAL



MACERATOR RETURN PUMP PARTS LIST- OPTIONAL

Item	Ref. No.	Qty.	Description
1	202-0108013-01	2	Radial Ball Bearing
2	204-0101028-07	3	Bolt, 3/8-16 X 1.0", Cap, G8, Zinc
3	204-0603006-07	3	Washer, 3/8", Flat, Hardened, SAE, Zinc
4	204-0608002-01	1	Wave Washer
5	204-1600006-01	1	Spiral Ring Internal 2" Dia.
6	204-1600007-01	1	Snap Ring External
7	216-0101023-04	1	Fitting, St, 1/4 FPT, Barb
8	216-0229001-02	1	Fitting, 90, with Seal & Clamp
9	216-1000082-01	1	Fitting, Nipple, 1/4 X 2 SCH40
10	228-0100023-01	2	Oil Seal
11	228-0100029-01	1	O-Ring
12	236-0200025-01	1	Sheave 1 Groove 3/4" Bore
13	250-1000002-01	1	Bearing Housing Macerator Pump
14	264-0000007-01	1	Shaft Top Macerator Pump
15	264-0700007-01	1	Weldt, Center Impeller Shaft
16	501-0101086-05	1	Housing Secondary Machining

Rebuild Kits

A	116-0000027-01	Kit, Macerator Repair Kit, Minor (Items: 1, 4, 5, 6, 10, 11)
B	116-0000028-01	Kit, Macerator Repair Kit, Major (Items: 1, 4, 5, 6, 10, 11, 15)