

Cyclone CY5500SK V1

PARTS LIST MANUAL

SWEEPERLAND.COM

800.626.7835

info@sweeperland.com



EQUIPMENT



PARTS



RENTALS



SERVICE



SUPPLIES

THIS PAGE INTENTIONALLY LEFT BLANK

TABLE OF CONTENTS:

DESCRIPTION	PAGE
CY4006SK OVERVIEW	2-3
WATER RECYCLING TANK	4-5
WATER FILTRATION ASSEMBLY	6-7
WATER PUMP ASSEMBLY	8-9
PRE-FILTER ASSEMBLY	10-11
FILTER PUMP ASSEMBLY	12-13
HYDRAULIC TANK ASSEMBLY	14-15
HYDRAULIC MANIFOLD	16-17
PTO GEAR PUMP	18-19
CONTROL PANEL	20-21
AUXILIARY CONTROL PANEL	22-23
EXTERIOR LIGHTS AND MONITORING	24-25
FUEL AND BURNER SYSTEM	26-27
PASSENGER FENDER AREA COMPONENTS	28-29
SIDING/DECKING AND EXTERNAL ATTACHMENTS	30-31
SIDING/DECKING AND EXTERNAL ATTACHMENTS (CONTINUED)	32-33
REAR BUMPER ASSEMBLY	34-35
SUB FRAME MOUNTING	36-37
HIGH PRESSURE PUMP	38-39
HYDRAULIC SCHEMATIC	40

THIS PAGE INTENTIONALLY LEFT BLANK

HOW TO USE THIS MANUAL:

This manual is meant to be a guide for both ordering parts and understanding how they are assembled. This manual does not include all the pertinent information for proper assembly. Sealants, fastener torque specs and the like are not completely covered. This is not a service manual. If you are unsure whether you are assembling something correctly, please contact a Cyclone customer service technician for more information.

When using this manual please note that any description that includes the directions “right (RH)” or “left (LH)” refers to those directions from the perspective of an operator sitting in the seat of the machine. If any mention is made in a description of “driver’s side”, this refers to the vehicle’s left, when facing forward.

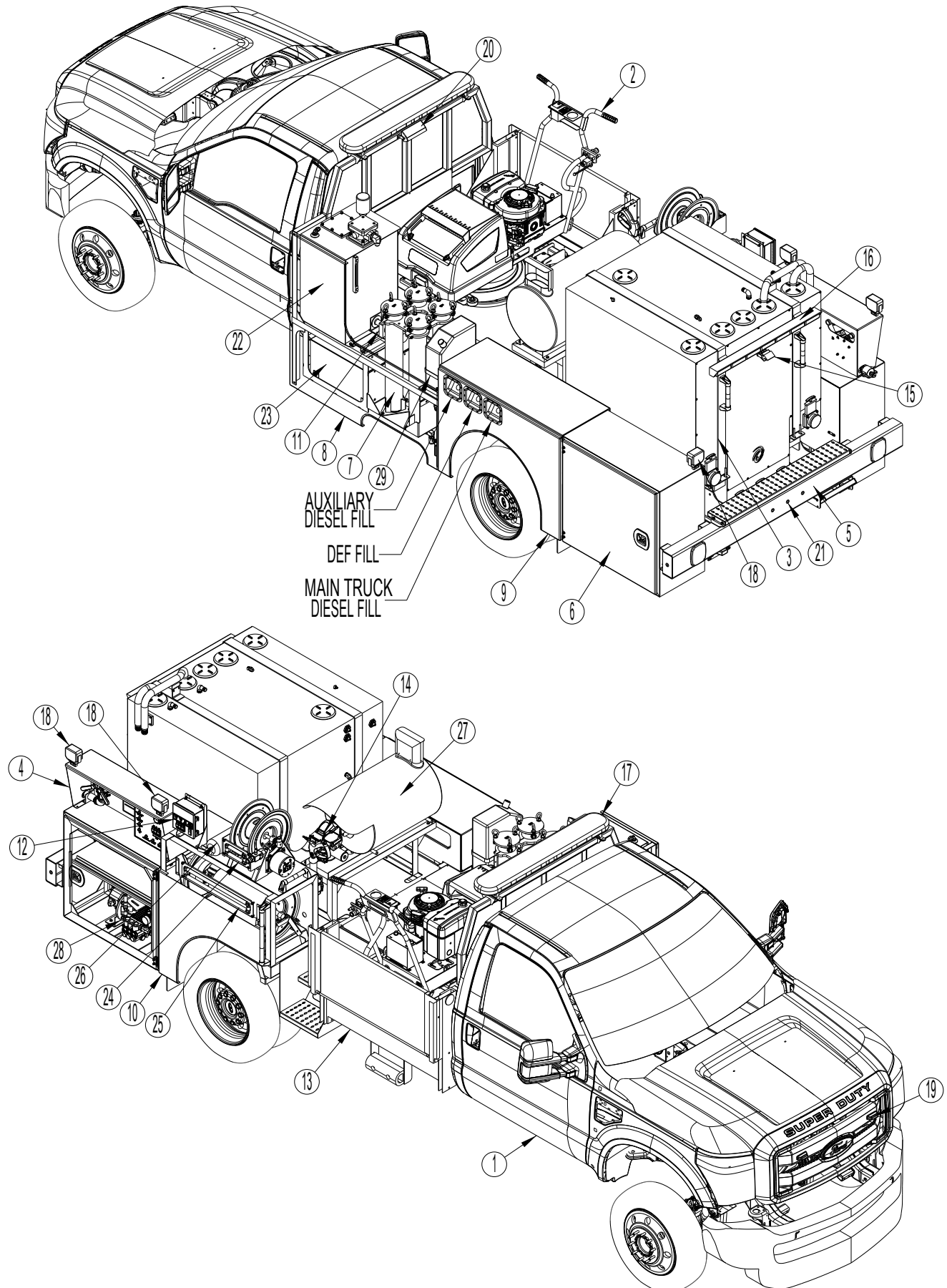
WHEN ORDERING PARTS

- * Use the Part numbers from the “Ref. No.” columns in this parts list.
- * Specify the model and serial number of the machine.
- * Use the space below to record the model and serial number for future reference.

Model

Serial No.

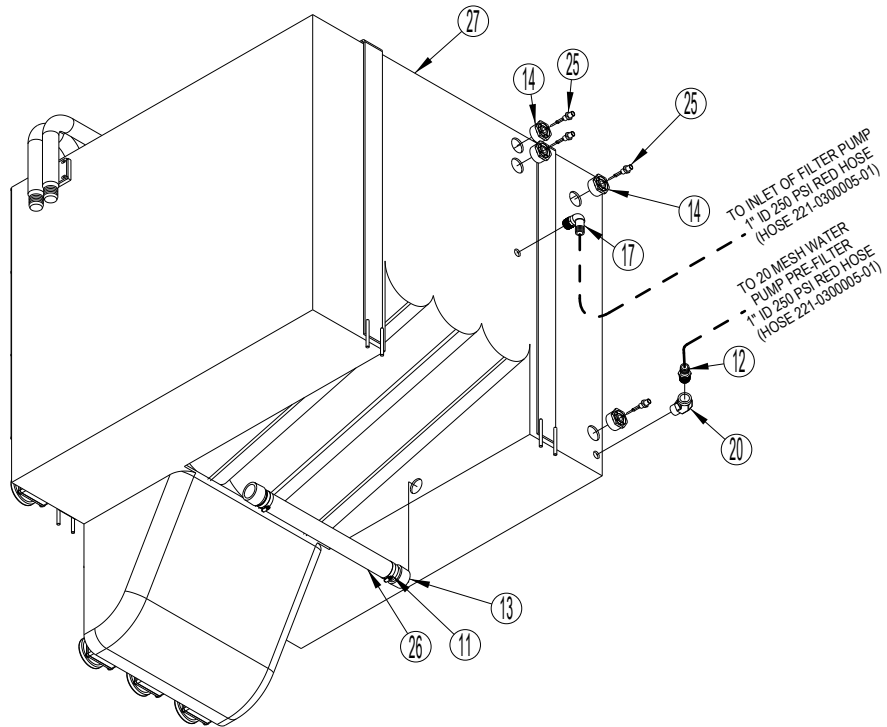
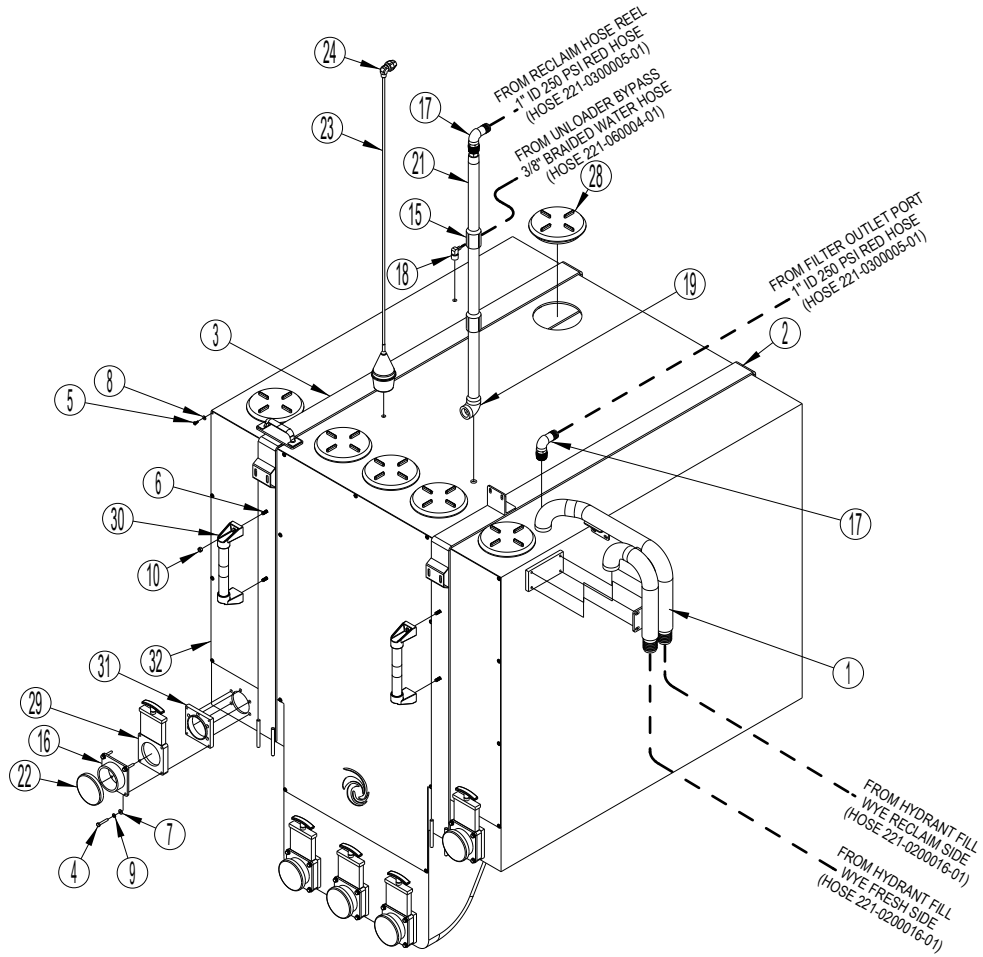
CY5500SK OVERVIEW



CY5500SK OVERVIEW

Item	Ref. No.	Qty.	Description
1	101-FD45001-01	1	Ford F-450 STD Cab
2	104-CY21010-01	1	CY210 Walk-Behind, Low Pressure- Diesel
3	112-5500001-01	1	CY5500SK Water Recycling Tank
4	128-3606131-01	1	Control Panel Assembly, SK
5	128-5500003-01	1	CY5500SK Rear Bumper Assy
6	128-5500007-01	1	CY5500SK Storage Enclosure
7	128-5500027-01	1	CY5500SK Filtration Mount Assy
8	128-5500029-01	1	DS Front Panel Assembly
9	128-5500030-01	1	DS Rear Panel Assembly
10	128-5500031-01	1	PS Rear Panel Assembly
11	128-5500034-01	1	CY5500SK Winch Reconfigure
12	128-5500037-01	1	Multi Purpose Switch Enclosure
13	128-SK00001-01	1	Lift Gate, CY5500SK, 1000LBS Aluminum
14	206-0100005-01	1	Burner, 12VDC, 320,000 BTU'S, SDC
15	217-0700001-01	1	Camera, Color, Nite-Vision, 18LED, Sunshade
16	218-0704007-03	1	Light, Traffic Arrow, LED
17	218-0704011-01	1	Beacon, Lightbar, 50"
18	218-0712013-01	3	Light, Square LED Flood Light, 1250 LM
19	218-0712014-01	2	Light, Front Grill Traffic Light
20	218-0712015-01	1	Light, Skid Deck Light, LED Flood
21	218-0796003-01	5	Marker Light Red LED
22	231-0203011-01	1	CY5500SK Hydraulic Tank 45-Gal
23	231-5500SK1-01	1	Fuel Tank, 15 Gallon
24	248-5500SK1-01	1	Hose Reel Assembly, Supply
25	248-5500SK2-01	1	Hose Reel Assembly, Return
26	263-0300011-01	1	Extinguisher, 10LB
27	501-0101791-13	1	Coil 20 Inch OD, Horizontal
28	501-0101797-30	1	Pressure Pump Without Clutch Assy
29	501-0101921-01	1	CY5500SK 20L Fuel Can Assy

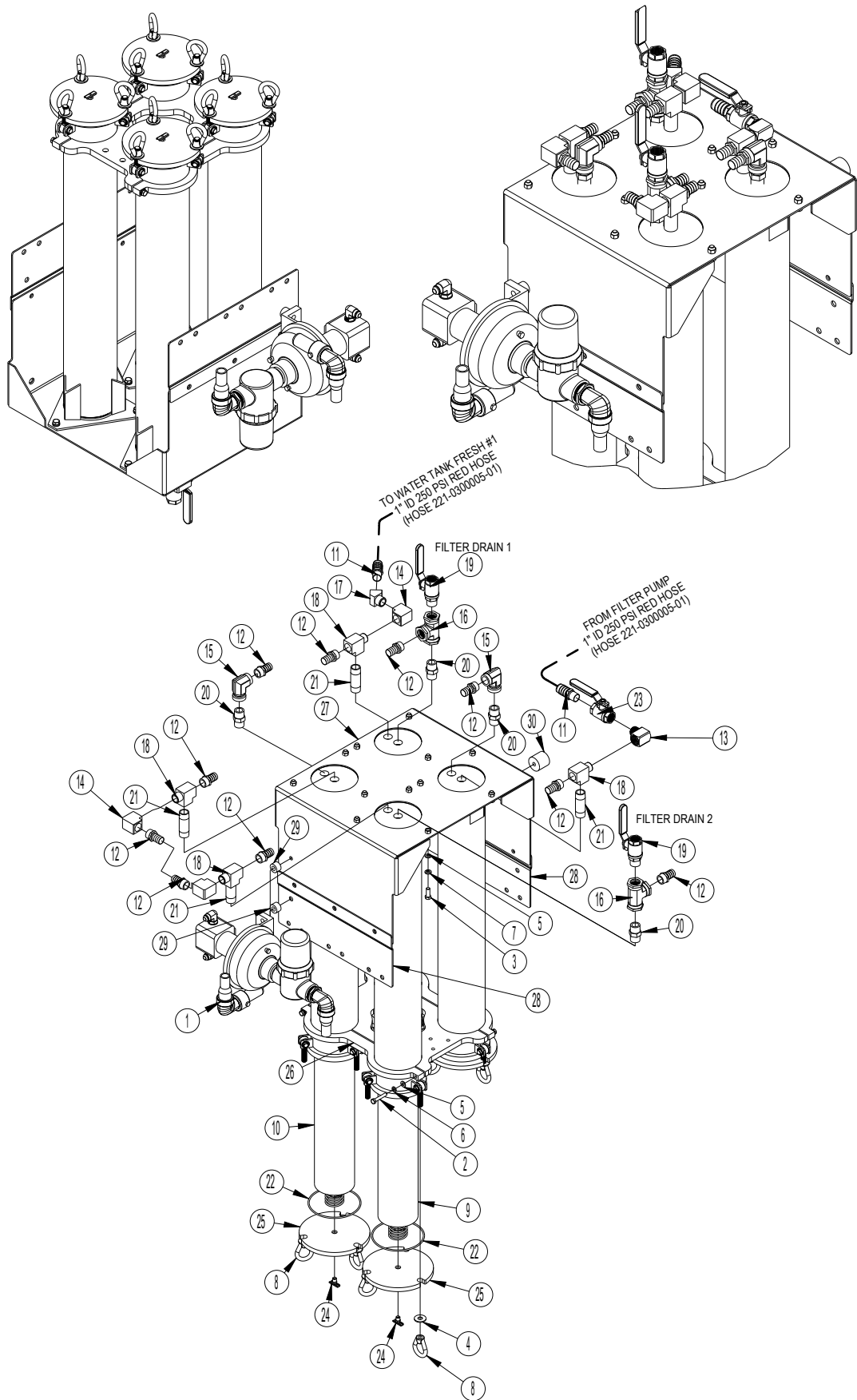
WATER RECYCLING TANK



WATER RECYCLING TANK

Item	Ref. No.	Qty.	Description
1	128-3606205-01	1	Weldt, Water Fill Tank Assy, SK
2	128-5500004-01	1	Weldt, Water Tank Strap 1
3	128-5500005-01	1	Weldt, Water Tank Strap 2
4	204-0101006-07	20	Bolt, 1/4-20 X 1.5", Cap, G8, Zinc
5	204-0101165-07	17	Screw, Self Tapping, #10-14 X .5"L
6	204-0105036-01	4	Bolt, 5/16-18 X 1", FH, Cap, Zinc
7	204-0603002-07	20	Washer, 1/4" Flat Hardened SAE Zinc
8	204-0603019-07	17	Washer, #10, Flat, SAE, Zinc
9	204-0604001-07	20	Washer, 1/4" Lock, Zinc
10	204-0704003-07	4	Nut, Hex 5/16-18 Lock, Nylon, Zinc
11	204-1005014-01	2	Clamp, Worm-Drive #36
12	216-0101014-05	1	Fitting, St, 1"MPT X 1" Hose Barb, SCH80, PVC
13	216-0101023-05	2	Fitting, St, 2"MPT X 2"ID, Barb, SCH80, PVC
14	216-0102084-05	4	Fitting, St, 1/2"FPT X 2"MPT Bushing, SCH80, PVC
15	216-0102085-05	2	Fitting, St, 1"FPT X 1"FPT Coupling, SCH80, PVC
16	216-0129003-10	5	Fitting, St, 3" 4-Bolt Flange X SOC, Plastic
17	216-0201006-05	3	Fitting, 90, 1"MPT X 1"ID, Barb, PVC SCH80
18	216-0201017-04	1	Fitting, 90, 1/2"MPT X 3/8"ID Barb Brass
19	216-0202048-05	1	Fitting, 90, 1" FPT X 1" FPT, SCH 80, PVC
20	216-0302013-01	1	Fitting, 45, 1"MPT X 1"FPT, Steel
21	216-1000110-05	3	Fitting, St, Nipple, 1"ID X 12"L, SCH80, PVC
22	216-1216001-10	5	3 Inch Unthreaded Cap
23	218-1017002-01	1	Float Switch, Cable Suspended
24	218-1901008-01	1	Connector, Strain Relief, 90 Deg
25	218-2500006-02	4	Switch, Liquid Level 1/2"Mp, Horz.- Plastic
26	221-0300006-01	1	Hose, Water, 2"ID 100 PSI Green
27	231-0300031-01	1	CY5500SK Water Recycling Tank
28	231-9900002-10	6	Water Tank Lid Assembly
29	235-2000004-10	5	3 Inch Bladex Waste Valve
30	240-0900003-02	2	Pull Handle, Modified Length
31	304-0603018-01	5	Dump Valve Front Plate
32	320-0101898-01	1	Water Tank Fascia Panel MKII

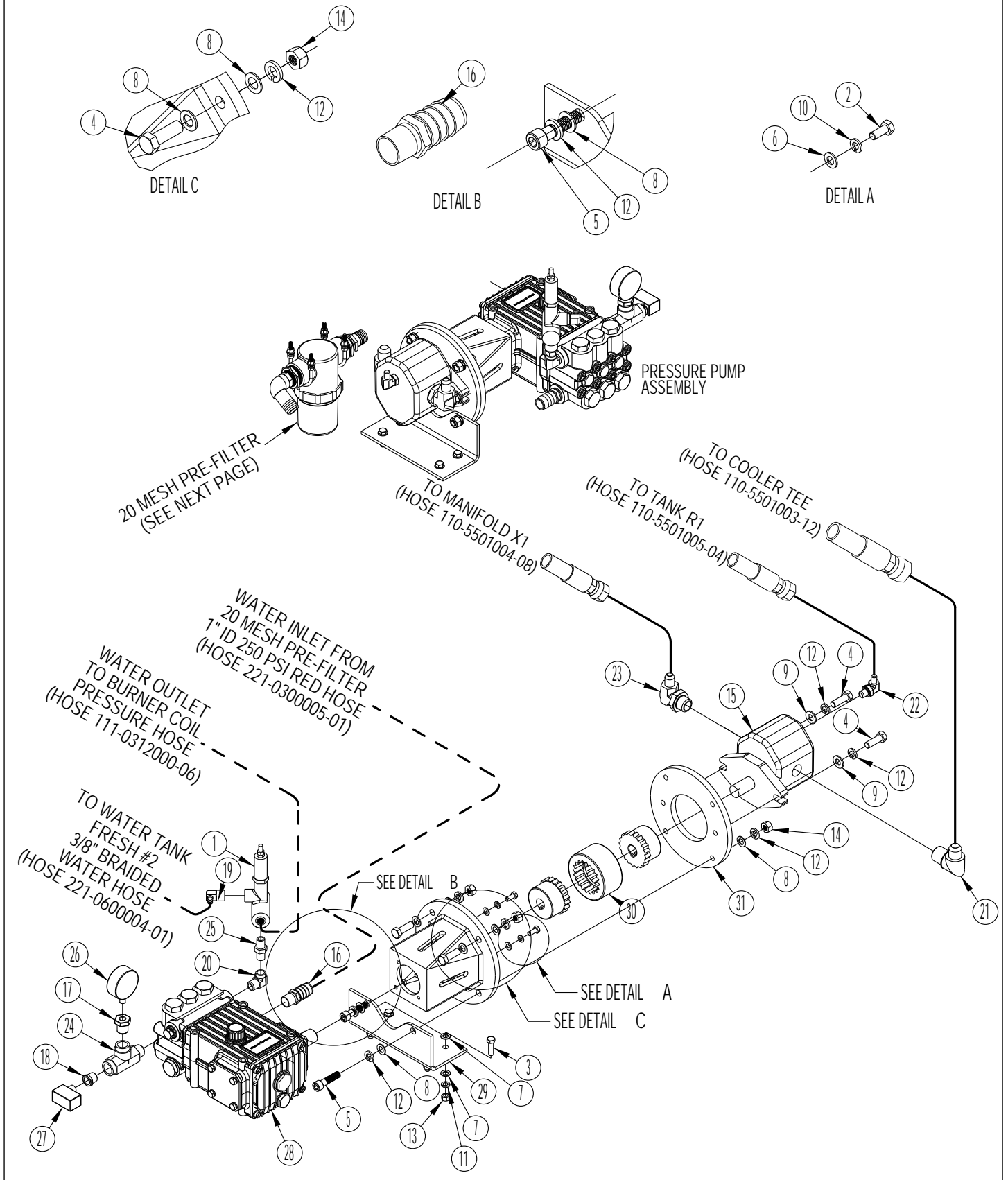
WATER FILTRATION ASSEMBLY



WATER FILTRATION ASSEMBLY

Item	Ref. No.	Qty.	Description
1	128-5500026-01	1	Filter Pump Sub-Assy.
2	204-0101017-07	4	Bolt, 5/16-18 X 1.75", Cap, G8, Zinc
3	204-0101028-07	12	Bolt, 3/8-16 X 1.0", Cap, G8, Zinc
4	204-0601004-07	12	Washer, 1/2 X 1-1/4", Fender, Zinc
5	204-0603004-07	16	Washer, 5/16", Flat, Hardened, SAE, Zinc
6	204-0604002-07	4	Washer, 5/16", Lock, Zinc
7	204-0604003-07	12	Washer, 3/8", Lock, Zinc
8	204-0710004-01	12	Eye Nut Heavy Duty 1/2-13
9	215-0100035-02	2	Filter Element 75 Micron SS
10	215-0100036-02	2	Filter Element 30 Micron SS
11	216-0101010-04	2	3/4" MPT X 1" Barb
12	216-0101012-04	10	Fitting, 3/4"MPT X 3/4"ID Barb, Brass
13	216-0202016-04	1	Fitting, 90, 3/4MPT X 3/4FPT, Brass
14	216-0202043-04	3	Fitting, 90, 3/4"FPT X 3/4"FPT, Brass
15	216-0202046-01	2	Fitting, 90, 3/4"FPT X 3/4"FPT Swivel, Steel
16	216-0202063-01	2	Fitting, Tee, 3/4"FPT Swivel (X2) X 3/4"FPT
17	216-0302010-04	1	Fitting, 45, 3/4"MPT X 3/4"FPT, Brass
18	216-0402017-04	4	Run, Tee, 3/4"MPT X (2x) 3/4"FPT,
19	216-1000009-01	2	Ball Valve, 3/4"MPT X 3/4"Fpt Brass
20	216-1000013-01	4	Fitting Nipple Hex 3/4 MPT Steel
21	216-1000116-02	4	Fitting, St, 3/4" X 2-1/2"L Nipple, SS
22	228-0100064-01	4	O-Ring Buna-N
23	235-0100006-01	1	Valve Ball 3/4" Brass
24	235-0400009-04	4	Valve Pressure Relief 1/8 MPT
25	304-0403031-01	4	Filter Housing Lid
26	304-0503001-01	1	Filter System Clamping Plate
27	320-0101506-01	1	Sub-Frame Filter System Mount
28	320-0101878-01	2	Filter System Adapter Plate
29	320-0101879-01	2	Standoff
30	320-0101895-01	1	Standoff

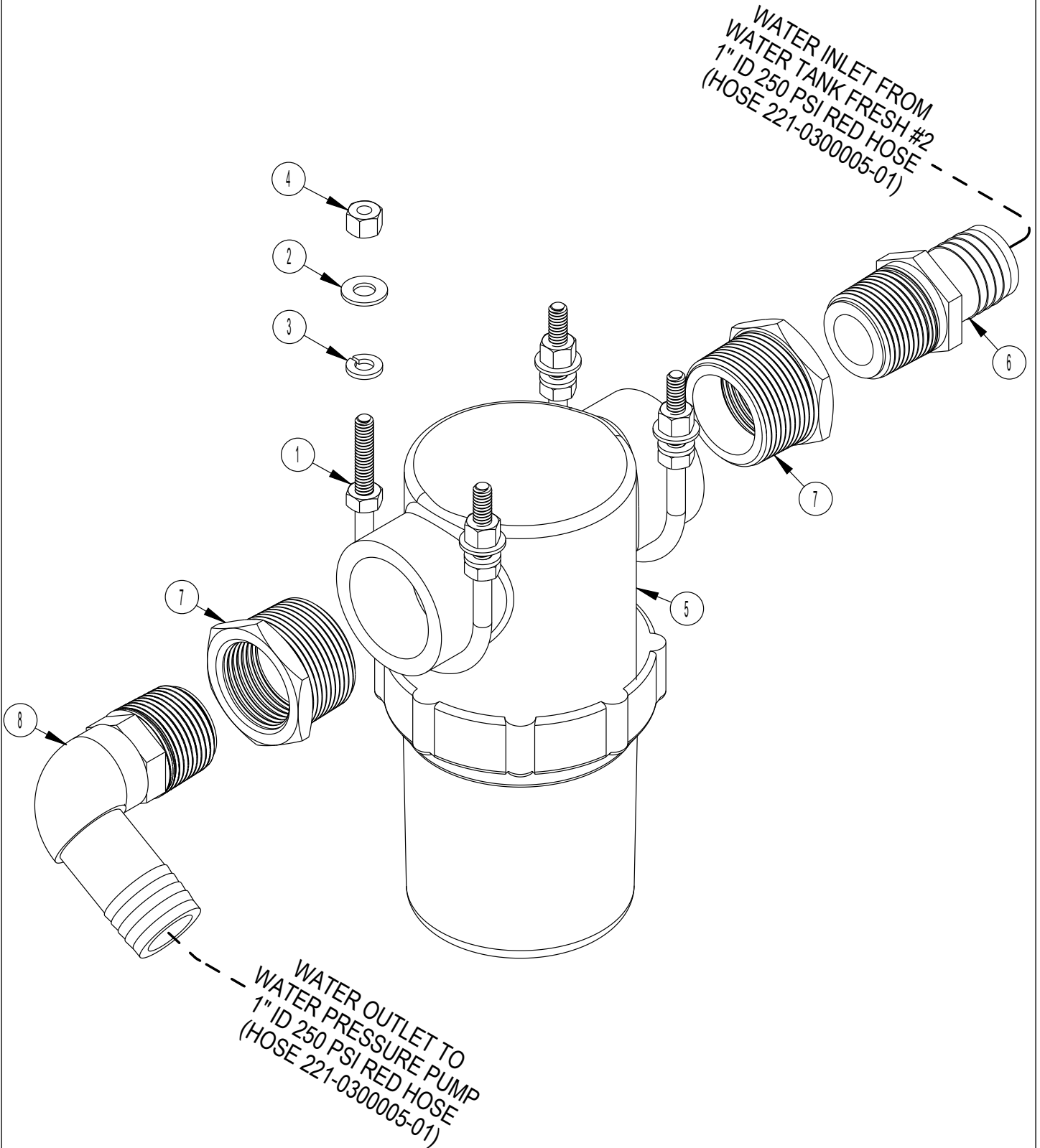
WATER PUMP ASSEMBLY



WATER PUMP ASSEMBLY

Item	Ref. No.	Qty.	Description
1	117-0000005-01	1	Unloader Assembly, 4KPSI, 7GPM, TR5500
2	204-0101014-08	4	Bolt, 5/16-18 X 3/4", Cap, G8, Zinc
3	204-0101029-07	4	Bolt, 3/8-16 X 1.25", Cap, G8, Zinc
4	204-0101046-07	4	Bolt, 1/2-13 X 1.5", Cap, G8, Zinc
5	204-0101092-04	2	Bolt, 1/2-13 Socket Head, 2" Long
6	204-0603004-07	4	Washer, 5/16" Flat Hardened, SAE, Zinc
7	204-0603006-07	8	Washer, 3/8" Flat Hardened, SAE, Zinc
8	204-0603008-07	8	Washer, 7/16" Flat Hardened, SAE, Zinc
9	204-0603010-07	2	Washer, 1/2" Flat Hardened, SAE, Zinc
10	204-0604002-07	4	Washer, 5/16" Lock, Zinc
11	204-0604003-07	4	Washer, 3/8" Lock, Zinc
12	204-0604005-07	8	Washer, 1/2" Lock, Zinc
13	204-0703004-07	4	Nut Hex, 3/8-16, Zinc
14	204-0703007-07	4	Nut, 1/2-13, Hex, Zinc
15	214-0400008-01	1	High Pressure Gear Pump
16	216-0101010-04	1	3/4" MPT X 1" Barb
17	216-0102014-01	1	Fitting, St, 1/2"MPT X 1/4"FPT, Bushing, Steel
18	216-0102015-01	1	Fitting, 1/2"MPT X 3/8"FPT, Bushing, Steel
19	216-0201017-04	1	Fitting, 90, 1/2"MPT X 3/8"ID, Barb, Brass
20	216-0202011-01	1	Fitting, 90, 1/2"FPT X 1/2"MPT, Street El, Steel
21	216-0208007-01	1	Fitting, 90, #16MSAE X #12MJIC, Steel
22	216-0208022-01	1	Fitting, 90, #6MSAE X #4MJIC, Steel
23	216-0208026-01	1	Fitting, 90, #16MSAE X #8MJIC, Steel
24	216-0402021-01	1	Fitting, Tee, Male Run 1/2"MPT X (2x)1/2"FPT, Steel
25	216-1000008-01	1	1/2"MPT Hex Nipple, Steel
26	217-0102014-01	1	Pressure Gauge, 5000PSI, 1/4" Lower Mount
27	218-1005001-01	1	Switch, Pressure
28	226-0300038-01	1	Pressure Pump, Giant
29	226-0700001-01	1	CY5X Pressure Pump Motor Mount
30	255-0300016-01	1	Coupler, Drive, Hyd Motor To Pump, 7/8" X 28mm
31	304-0401053-01	1	Hydraulic Motor Drive Plate

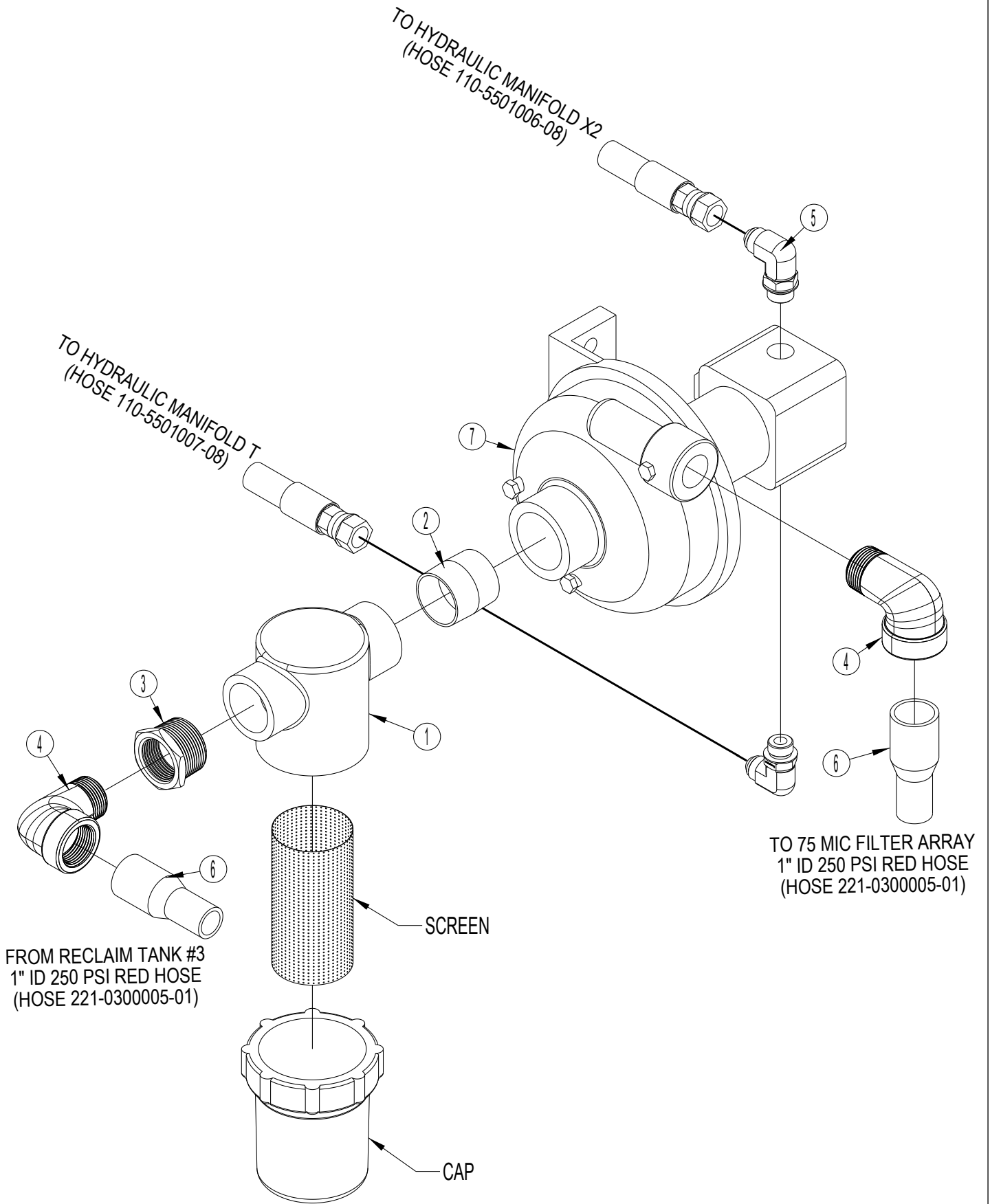
PRE-FILTER ASSEMBLY



PRE-FILTER ASSEMBLY

Item	Ref. No.	Qty.	Description
1	204-0106006-01	2	U-Bolt, 1/4-20 X 2 X 3.125, Zinc
2	204-0603003-07	4	Washer, 1/4", Flat, Zinc
3	204-0604001-07	4	Washer, 1/4", Lock, Zinc
4	204-0704002-07	4	Nut, Hex, 1/4-20 Lock, Nylon, Zinc
5	215-0100045-01	1	Filter, 1 1/4 NPT Female, 20 Mesh Screen
6	216-0101014-05	1	Fitting, St, 1"MPT X 1" Hose Barb SCH80, PVC
7	216-010214-04	2	Fitting, St, 1 1/4"MPT X 1"FPT PVC Bushing
8	216-0201006-05	1	Fitting, 90, 1"MPT X 1"ID, Barb, PVC, SCH80

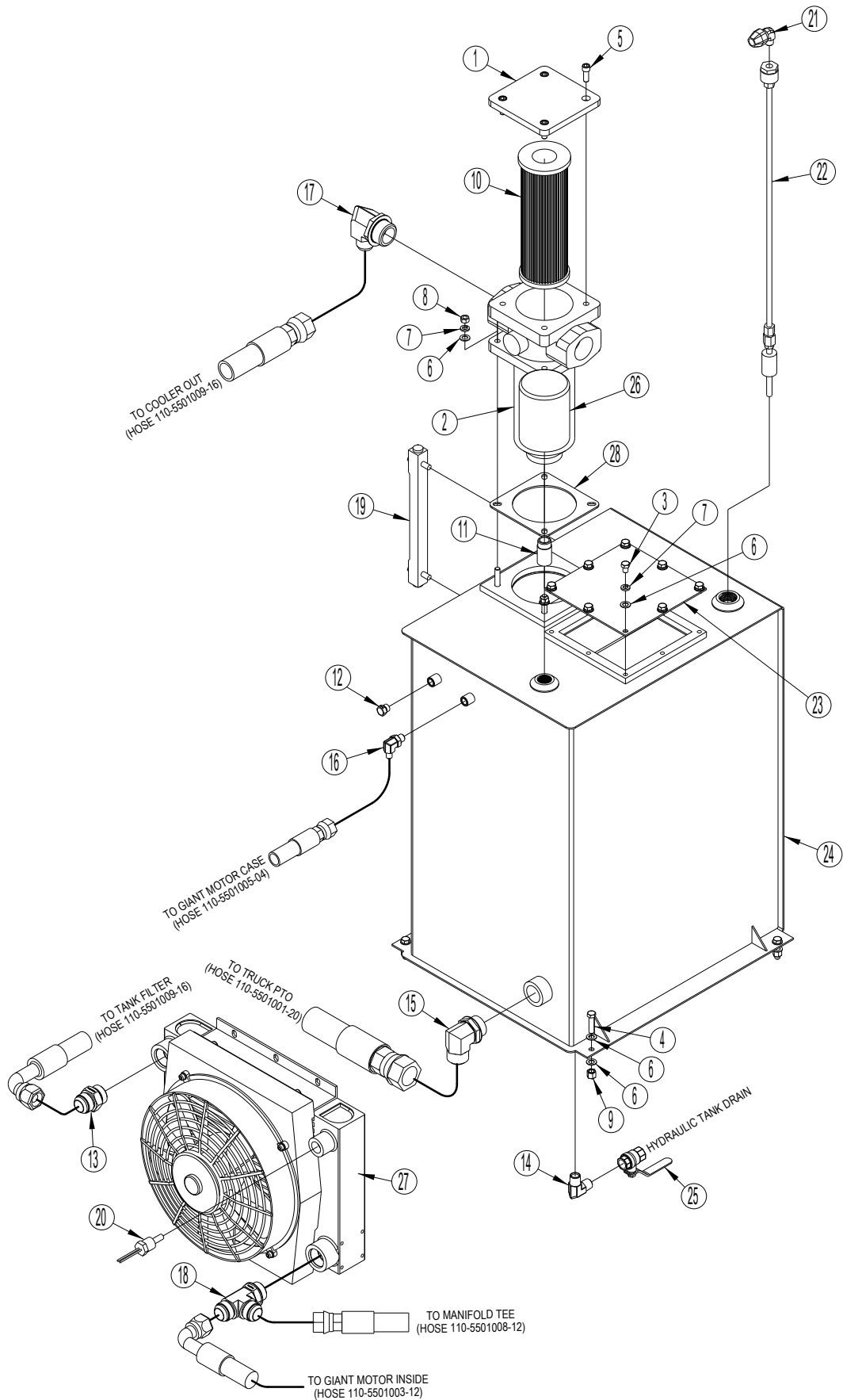
FILTER PUMP ASSEMBLY



FILTER PUMP ASSEMBLY

Item	Ref. No.	Qty.	Description
1	215-0100045-01	1	Filter 1 1/4" NPT Female, 20 Mesh Screen
2	216-0101044-02	1	Fitting, 1 1/4" MPT Close Nipple, SS
3	216-0102025-02	1	Fitting, St, 1 1/4" MPT X 1 FPT, SS
4	216-0202031-02	2	Fitting, 90, 1"FPT X 1"MPT, SS
5	216-0208002-01	2	Fitting, 90, #8MSAE X #8MJIC, Steel
6	216-1000076-02	2	Fitting, 1" MPT X 1 ID, Barb, SS
7	226-0300022-01	1	Charge Pump, CW Rotation

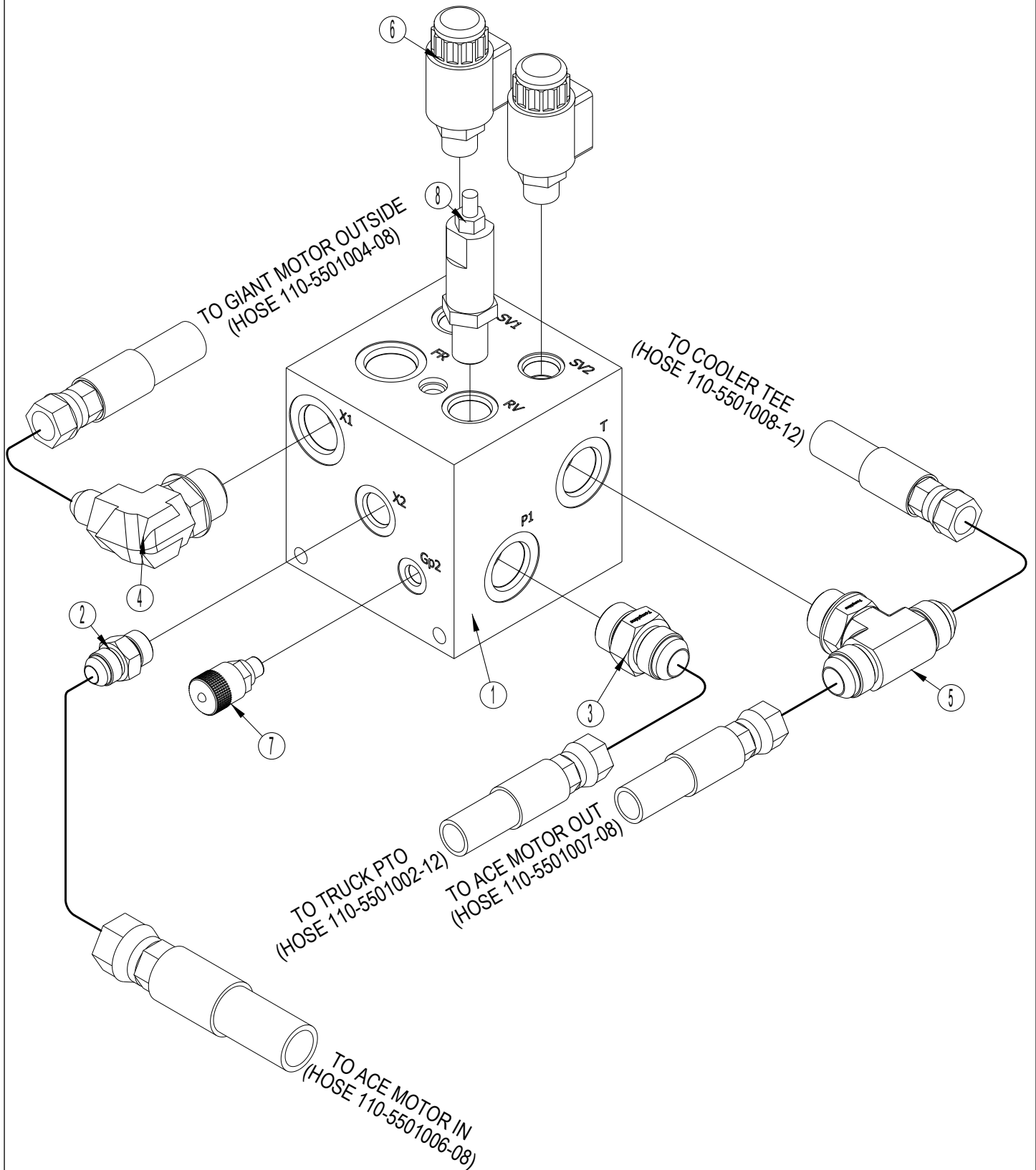
HYDRAULIC TANK ASSEMBLY



HYDRAULIC TANK ASSEMBLY

Item	Ref. No.	Qty.	Description
1	108-02LP4500-01	1	Hydraulic Filter Cap
2	108-02lp4500-01	1	Hydraulic Return Filter Assy
3	204-0101026-07	8	Bolt, 3/8-16 X .5 Cap, G8, Zinc
4	204-0101030-07	4	Bolt, 3/8-16 X 1.5 Cap, G8, Zinc
5	204-0104040-01	4	Bolt, 3/8-24 X 1", SH, SS
6	204-0603006-07	20	Washer, 3/8" Flat, Hardened, SAE, Zinc
7	204-0604003-07	12	Washer, 3/8" Lock, Zinc
8	204-0703004-07	4	Nut, Hex, 3/8-16, Zinc
9	204-0704004-07	4	Nut, 3/8-16, Lock, Nylon, Zinc
10	215-0100037-01	1	Filter Element, Return, 10MIC
11	216-0104005-01	1	Adapter, 3/4" X 3/4", MPT, W/O-Ring
12	216-0113014-01	1	Fitting, St, #6MSAE Plug, Steel
13	216-0108006-01	1	Fitting, St, #16MSAE X #16MJIC, Steel
14	216-0202012-01	1	Fitting, 90, 1/2"MPT X 1/2"MPT, Steel
15	216-0208018-01	1	Fitting, 90, #20MSAE X #20MJIC, Steel
16	216-0208022-01	1	Fitting, 90, #6MSAE X #4MJIC, Steel
17	216-0208023-01	1	Fitting, 90, #24MSAE X #16MJIC, Steel
18	216-0408008-01	1	Fitting, Tee, Run, #16MSAE x (2) #16MJIC
19	217-0300004-01	1	Gauge, Level 10" Hyd Fluid W/Thermometer
20	218-1018002-01	1	Switch, Temp, 120 Degrees, UHPOD
21	218-1901008-01	1	Connector, Strain Relief, 90 Deg
22	218-2500019-01	1	Sensor, Hyd Fluid Level & Temp
23	231-0203011-01	1	Hydraulic Tank Inspection Plate
24	231-0203011-01	1	Hydraulic Tank Weldment
25	235-0100008-01	1	Valve, Ball, 1/2"FPT, Brass
26	273-0202002-01	1	Breather Element
27	279-0100007-01	1	Heat Exchanger, HYDAC, 12V, Side Mounted
28	501-0101250-01	1	CY Hydraulic Filter Gasket

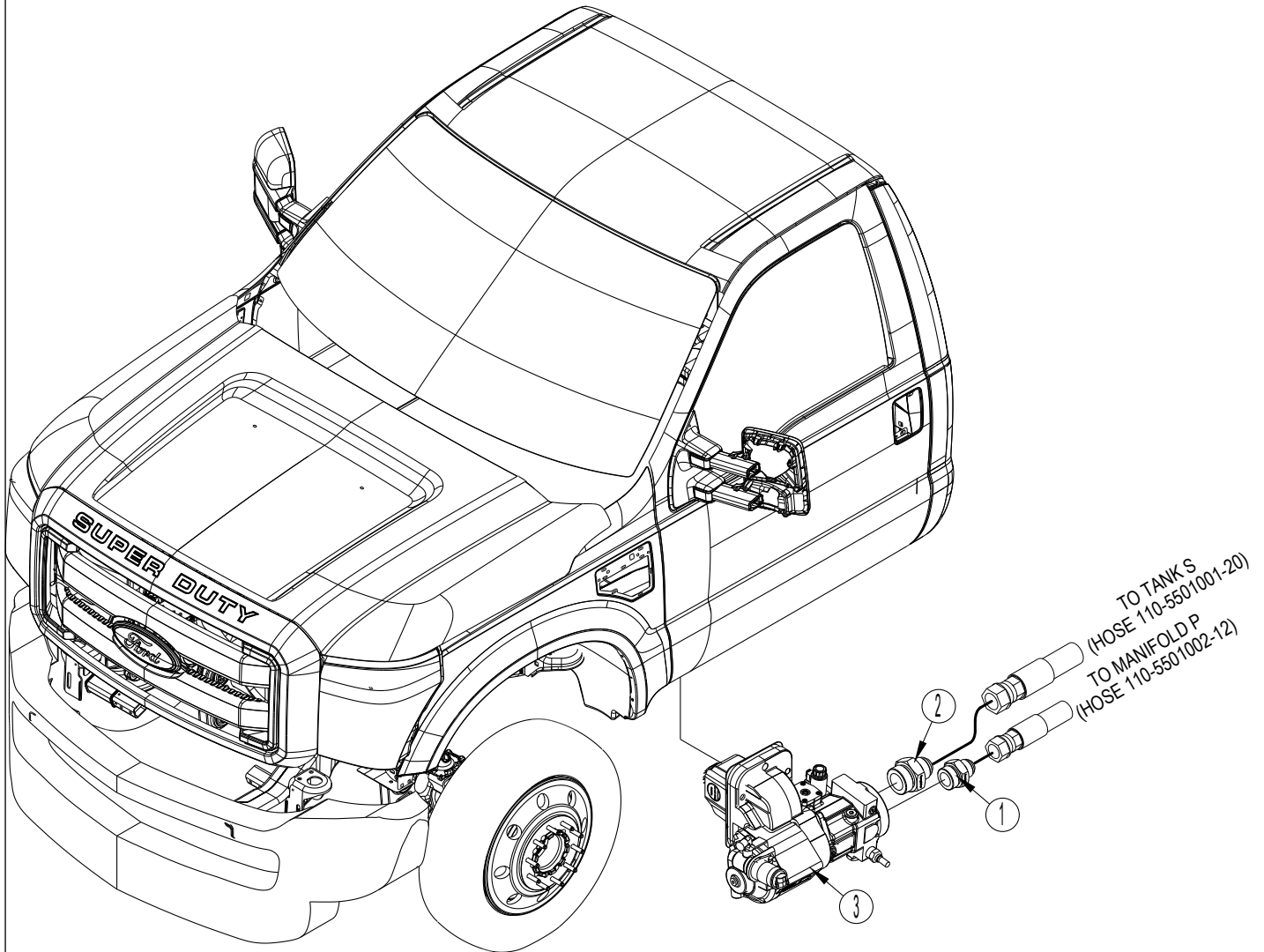
HYDRAULIC MANIFOLD



HYDRAULIC MANIFOLD

Item	Ref. No.	Qty.	Description
1	110-5000011-01	1	Manifold Block
2	216-0108001-01	1	Fitting, St, #8MSAE X #8MJIC, Steel
3	216-0108015-01	1	Fitting, St, #12MSAE X #12MJIC, Steel
4	216-0208012-01	1	Fitting, 90, #12MSAE X #8MJIC, Steel
5	216-0408007-05	1	Fitting, Tee, #12MSAE X #12MJIC X #12mjic
6	501-0101203-01	2	Solenoid Hydraulic
7	501-0101220-01	1	Hydraulic Test Port
8	501-0101611-01	1	Hydraulic Manifold Relief Valve

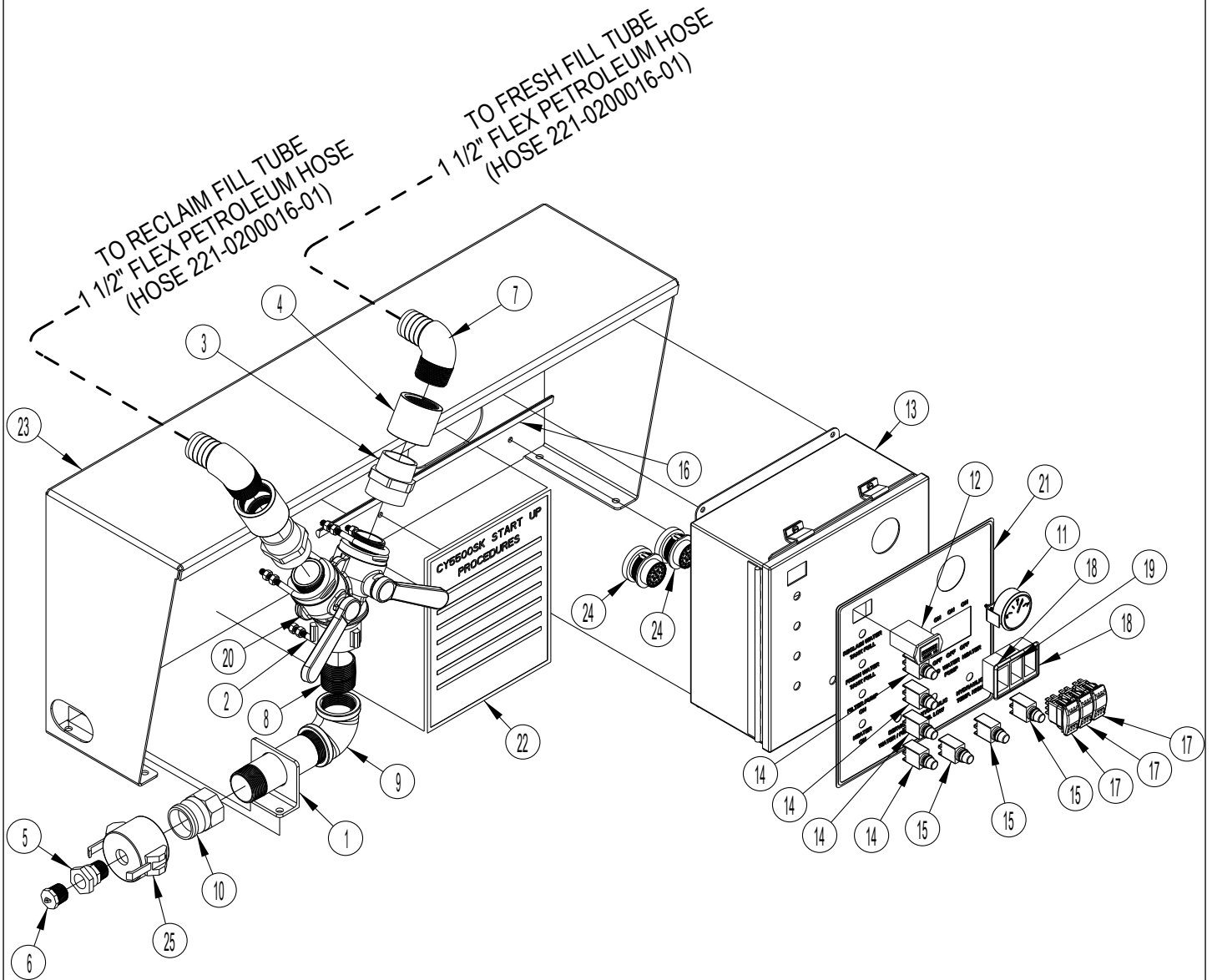
PTO GEAR PUMP



PTO GEAR PUMP

Item	Ref. No.	Qty.	Description
1	216-0108004-01	1	Fitting, St, #16MSAE X #12MJIC, Steel
2	216-0108036-01	1	Fitting, St, #16MSAE X #20MJIC, Steel
3	283-0100022-01	1	PTO, Gear Pump, Chelsea

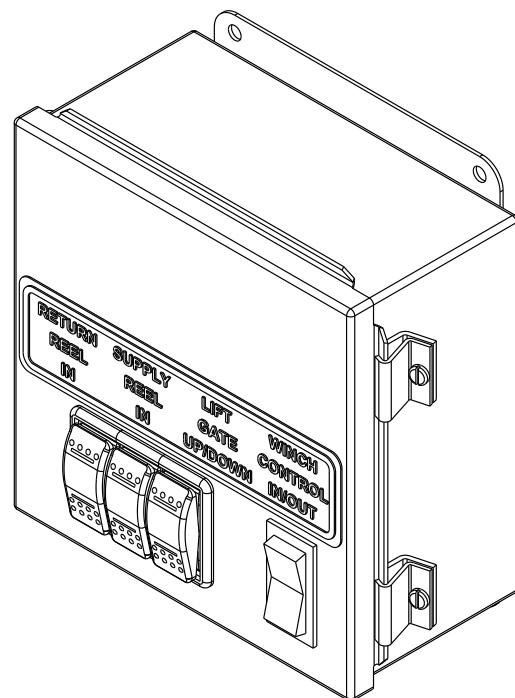
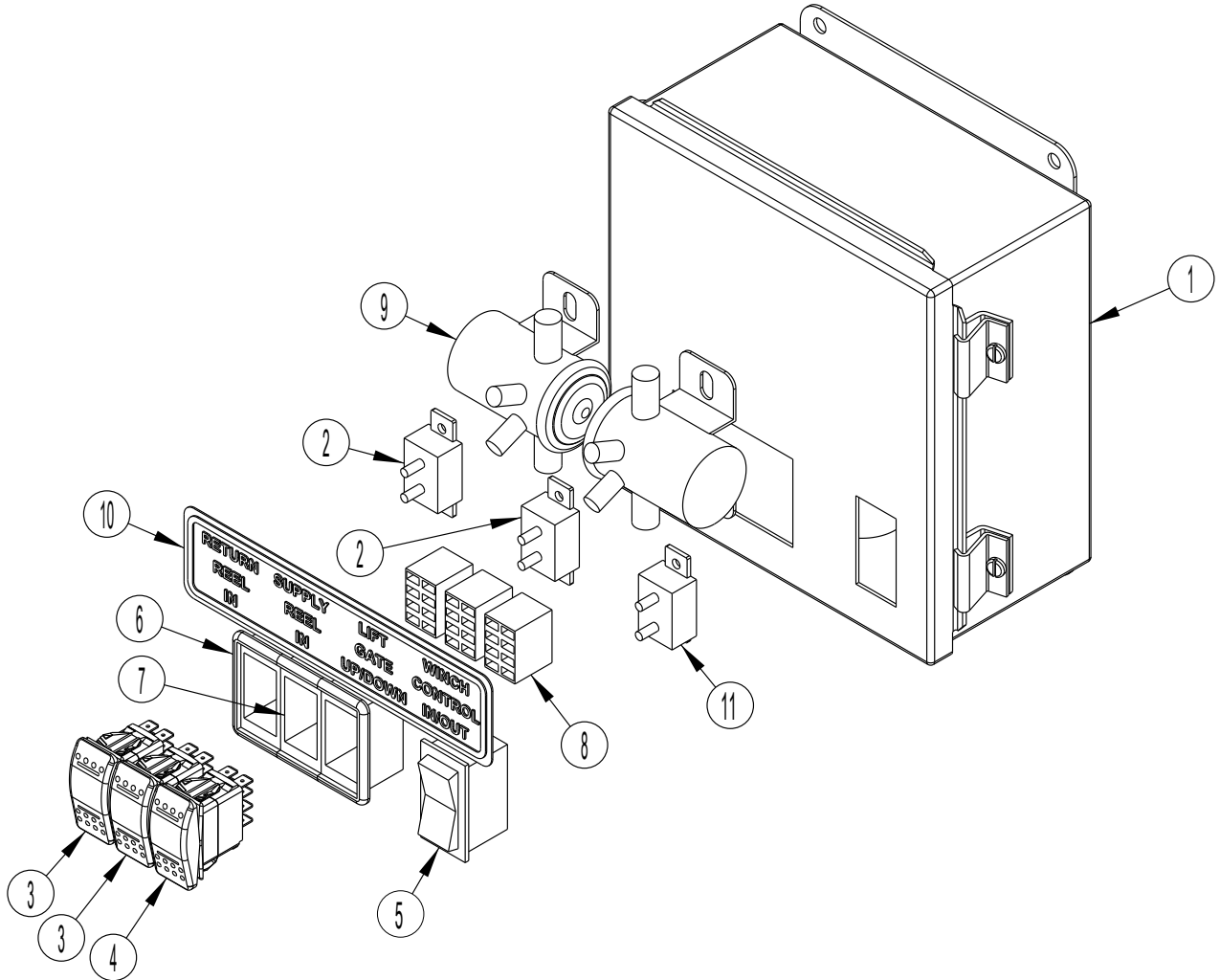
CONTROL PANEL



CONTROL PANEL

Item	Ref. No.	Qty.	Description
1	128-3606206-01	1	Weldt, Hydrant Fill Valve Mount
2	204-2500029-01	3	U-Bolt, 5/16"-18 Thread Size, 2" ID, 3-1/2" Height
3	216-0102136-01	2	Fitting, St, 1-1/2" FNPSH X 1-1/2"MPT, Brass
4	216-0102140-02	2	Fitting, St, 1-1/2"FPT X 1-1/2"FPT, SS
5	216-0102141-04	1	Fitting, St, 3/4" MPT X 3/4"FGHT, Brass
6	216-0102142-04	1	Fitting, GHT, Plug, Plastic W/Lanyard
7	216-0201008-05	2	Fitting, 90, 1-1/2"MPT X 1-1/2"ID Barb PVC
8	216-1000147-02	1	Fitting, Nipple, 1 1/2" X 1-3/4" L, SS
9	216-1000151-11	1	Fitting, 90, 1-1/2"FPT X 1-1/2"FPT, Galv
10	216-1300045-03	1	Cam-Lock 1-1/2" FPT
11	217-0300001-01	1	Gauge, Fuel, Black Bezel
12	217-0600003-01	1	Hour meter 12V DC
13	218-0301020-01	1	ENCLOSURE, NEMA, 12" X 12"
14	218-0701015-01	4	Light, LED, Green
15	218-0701016-01	3	Light, LED, Amber
16	218-0712016-01	1	Led Strip Light, White, 18"L
17	218-1001001-01	3	Switch, Rocker, 12V SPST
18	218-1004001-01	2	Switch Mount End
19	218-1004002-01	1	Switch Mount Middle
20	235-0100024-01	1	1-1/2" NPSH Inlets X 2-1/2" NPSH
21	284-3606011-01	1	Decal, Control Box 1, 5500SK
22	284-5500SK8-01	1	Decal, Start Up Instructions, SK
23	340-0101250-01	1	Exterior Control Box Cover, SK
24	501-0101896-01	2	Connector
25	501-0101915-01	1	Modified 2" FCAM Cap

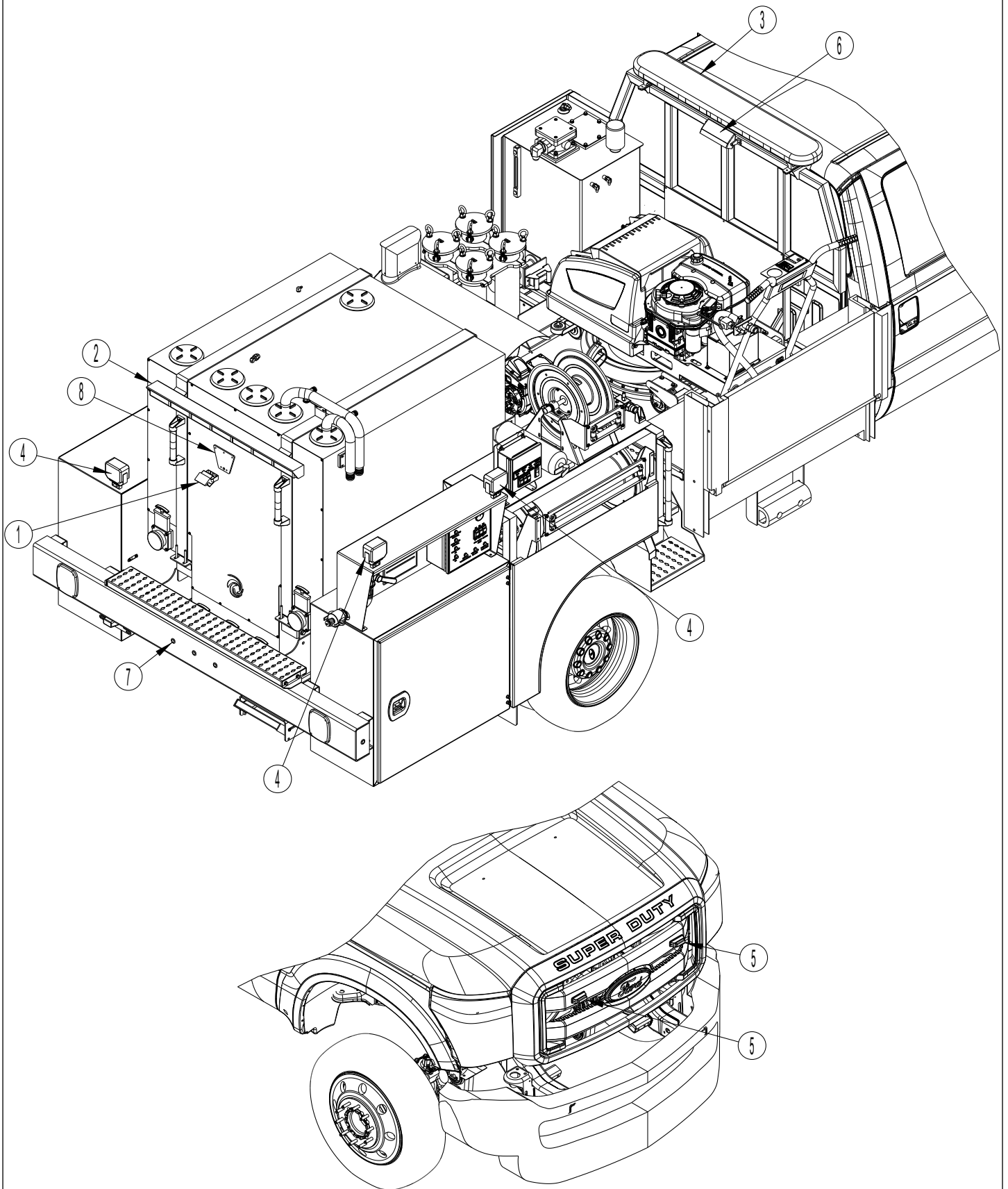
AUXILIARY CONTROL PANEL



AUXILIARY CONTROL PANEL

Item	Ref. No.	Qty.	Description
1	218-0301032-02	1	Modifications to Nema Enclosure
2	218-0900028-01	2	50A Circuit Breaker
3	218-1001002-01	2	Switch, Rocker, Momentary On-Off
4	218-1001017-01	1	Switch, Rocker, Momentary On-Off-On
5	218-1001018-01	1	Winch Switc
6	218-1004001-01	2	Switch Mount End
7	218-1004002-01	1	Switch Mount Middle
8	218-1904001-10	3	Switch Connector
9	218-2400020-01	2	Solenoid, 12V
10	284-5500SK1-01	1	Decal Switch Box, CY5500SK
11	501-5500037-03	1	Winch Circuit Breaker

EXTERIOR LIGHTS AND MONITORING



EXTERIOR LIGHTS AND MONITORING

Item	Ref. No.	Qty.	Description
1	217-0700001-01	1	Camera, Color, Nite-Vision, 18LED, Sunshade
2	218-0704007-03	1	Light, Traffic Arrow, LED
3	218-0704011-01	1	Beacon, Lightbar, 50"
4	218-0712013-01	3	Light, Square LED Flood Light, 1250 LM
5	218-0712014-01	2	Light, Front Grill Traffic Light
6	218-0712015-01	1	Light, Skid Deck Light, LED Flood
7	218-0796003-01	5	Marker Light, Red LED
8	320-0101889-01	1	Camera Mount, Traffic Arrow, SK

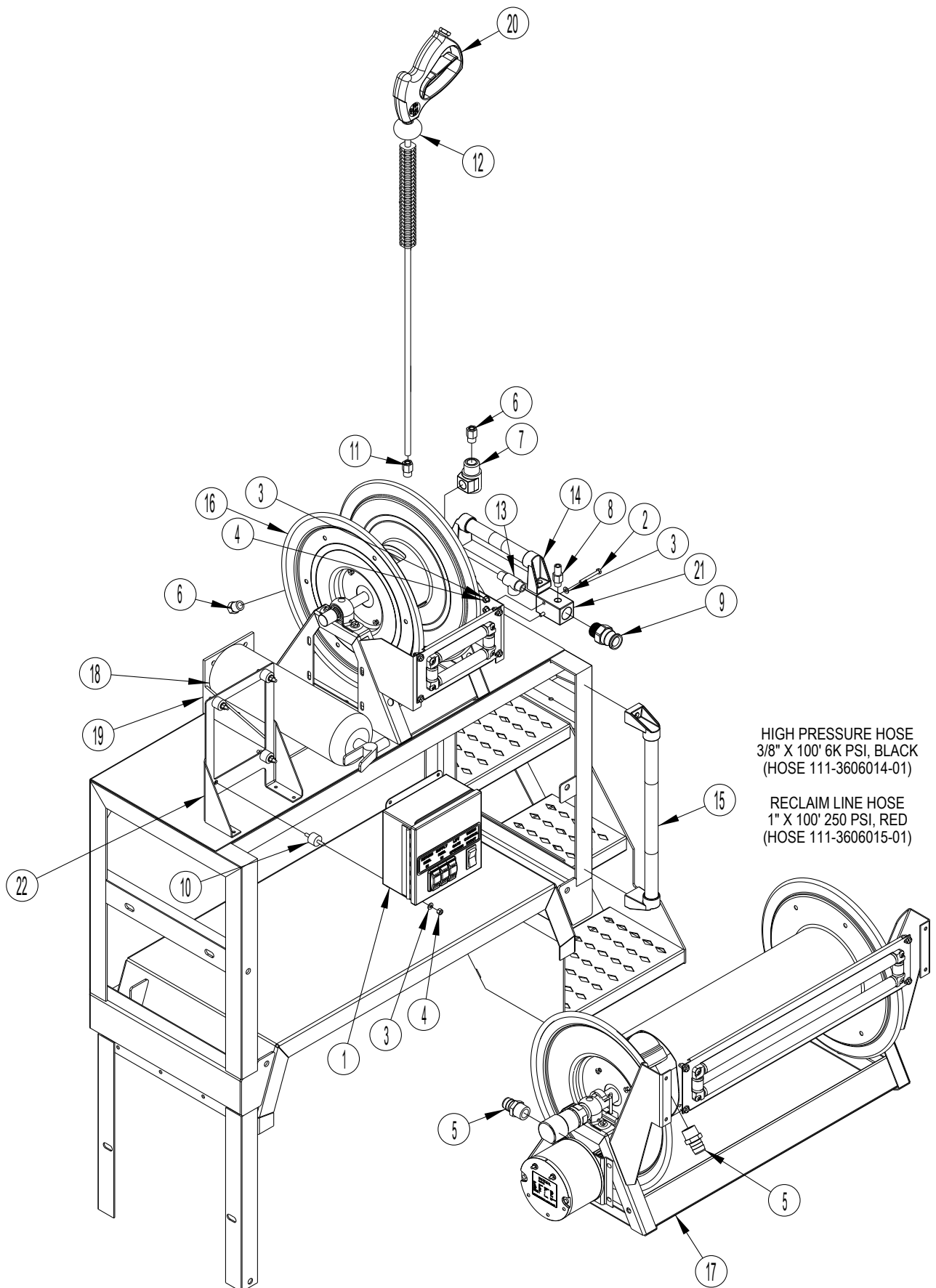
FUEL AND BURNER SYSTEM

Item	Ref. No.	Qty.	Description
1	109-0000001-01	1	Filter, Fuel Burner
2	204-0101029-07	8	Bolt, 3/8-16 X 1.25, Cap, G8, Zinc
3	204-0603006-07	16	Washer, 3/8", Flat, Hardened, SAE, Zinc
4	204-0704004-07	8	Nut, 3/8-16, Lock, Nylon, Zinc
5	206-0100005-02	1	Burner, 12VDC, 320,000 Btu's
6	211-0100007-01	1	Coil 20" OD, Horizontal
7	216-0101018-04	4	Fitting, St, 3/8"ID Barb X 3/8"FSAE Swivel, Brass
8	216-0101024-04	1	Fitting, St, 1/2"MPT X 5/8"ID Barb, Brass
9	216-0102006-03	1	Fitting, St, 2"MPT X 1-1/2" FPT, Bushing, SS
10	216-0102015-01	2	Fitting, 1/2"MPT X 3/8"FPT, Bushing, Steel
11	216-0102016-01	1	Fitting, St, 1/2"FPT X 1/2"FPT, Coupling, Steel
12	216-0105014-04	3	Fitting, St, 1/4"MPT X 3/8"MSAE, Brass
13	216-0201014-04	2	Fitting, 90, 3/8"MPT X 3/8"ID Barb, Brass
14	216-0202011-01	1	Fitting, 90, 1/2"FPT X 1/2"MPT, Street El, Steel
15	216-0202060-01	1	Fitting, 90, 2" FPT X 2" FPT, SS
16	216-0205021-04	1	Fitting, 90, 1/4"MPT X #6MSAE, Brass
17	216-0402003-01	1	Fitting, Tee, 1/2"FPT, Steel
18	216-0402021-01	1	Fitting, Tee, Male, Run, 1/2"MPT X (2x)1/2"FPT, Steel
19	216-0802003-01	2	Fitting, St, Plug, 1/4" MPT, Steel
20	216-0802015-01	1	Fitting, St, Plug, 3/8" MPT, Steel
21	216-1000131-02	1	Fitting, St, 1-1/2" King Nipple, SS
22	216-1000135-01	2	Fitting, St, 1/2"MPT X 5"L Nipple, Sch80
23	218-2500010-01	1	12" Fuel Sender
24	218-2500022-01	1	Sensor, Temp. Switch, 1/2"MPT, 160-Deg.12v
25	218-2500022-03	1	Sensor, Temp. Switch, 1/2"MPT, 200-Deg.12v
26	231-5500SK1-01	1	Fuel Tank 15 Gallon
27	243-0100013-01	2	Fuel Cap, Ford, Diesel
28	262-0300006-02	1	Coil Heat Diverter
29	501-0101186-01	1	Thermal Seal

Additional Burner Components- Not Shown

A	206-0400002-01	1	CAD Cell Sensor Burner
B	218-0900003-21	1	Relay
C	218-2300014-01	1	Control Package
D	218-2300037-01	1	Ignitor Assembly
E	218-2400009-01	1	Fuel Solenoid
F	230-0400012-01	1	Fuel Nozzle

PASSENGER FENDER AREA COMPONENTS



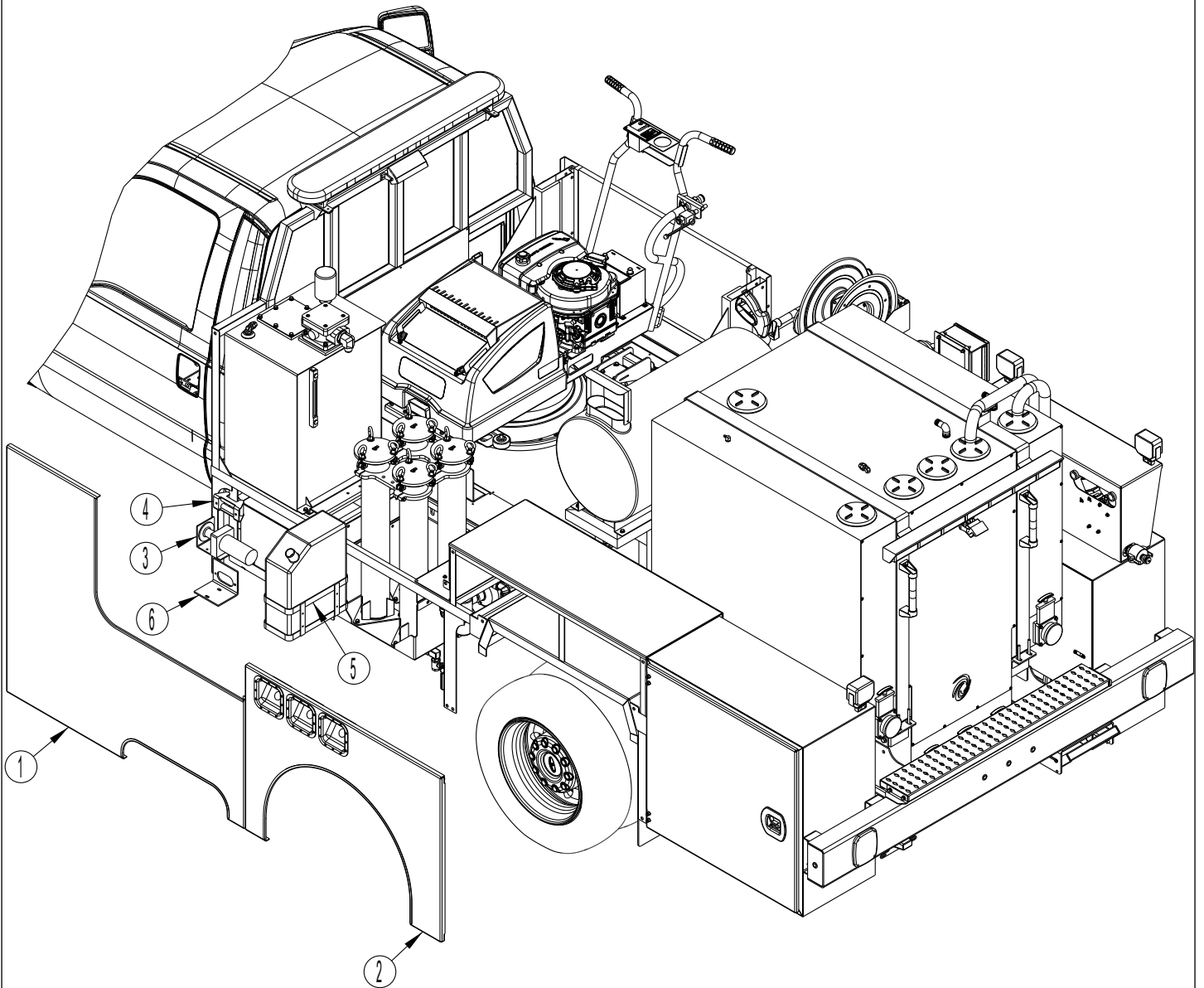
HIGH PRESSURE HOSE
3/8" X 100' 6K PSI, BLACK
(HOSE 111-3606014-01)

RECLAIM LINE HOSE
1" X 100' 250 PSI, RED
(HOSE 111-3606015-01)

PASSENGER FENDER AREA COMPONENTS

Item	Ref. No.	Qty.	Description
1	128-5500037-01	1	Multi Purpose Switch Enclosure
2	204-0101009-07	2	Bolt, 1/4-20 X 2.25 Cap, G8, Zinc
3	204-0603002-07	12	Washer, 1/4" Flat, Hardened, SAE, Zinc
4	204-0704002-07	10	Nut, Hex, 1/4-20 Lock, Nylon, Zinc
5	216-0101008-04	2	Fitting, St, 1"MPT X 1" Barb, Brass
6	216-0102015-01	2	Fitting, 1/2"MPT X 3/8"FPT Bushing, Steel
7	216-0210060-01	1	Swivel, 90, Hose Reel, (X2) FPT, 4000PSI
8	216-0805004-02	1	Fitting, QU. Coupler, Plug X 3/8"MPT, SS
9	216-1300043-03	1	Fitting, St, 1"MPT X 1"MCAM, Alum
10	218-2100005-01	4	Isolator, Vibration
11	230-0200013-01	1	Nozzle, Cleaning Wand
12	235-0100026-01	1	Ball Stop For 1/4"Hose/Wand
13	235-0400017-01	1	Valve, Pressure Relief
14	240-0900003-02	1	Pull Handle, Modified Length
15	240-0900003-03	1	Pull Handle, Modified Length
16	248-5500SK1-01	1	Hose Reel Assembly, Supply
17	248-5500SK2-01	1	Hose Reel Assembly, Return
18	263-0300011-01	1	Extinguisher, 10LB
19	263-0300013-01	1	Bracket, Extinguisher, 10LB
20	274-0200002-01	1	Cleaning Gun, 4500PSI 10GPM
21	304-3000305-01	1	Manifold Block
22	320-0101847-01	1	CY5500SK Switch Box Mount

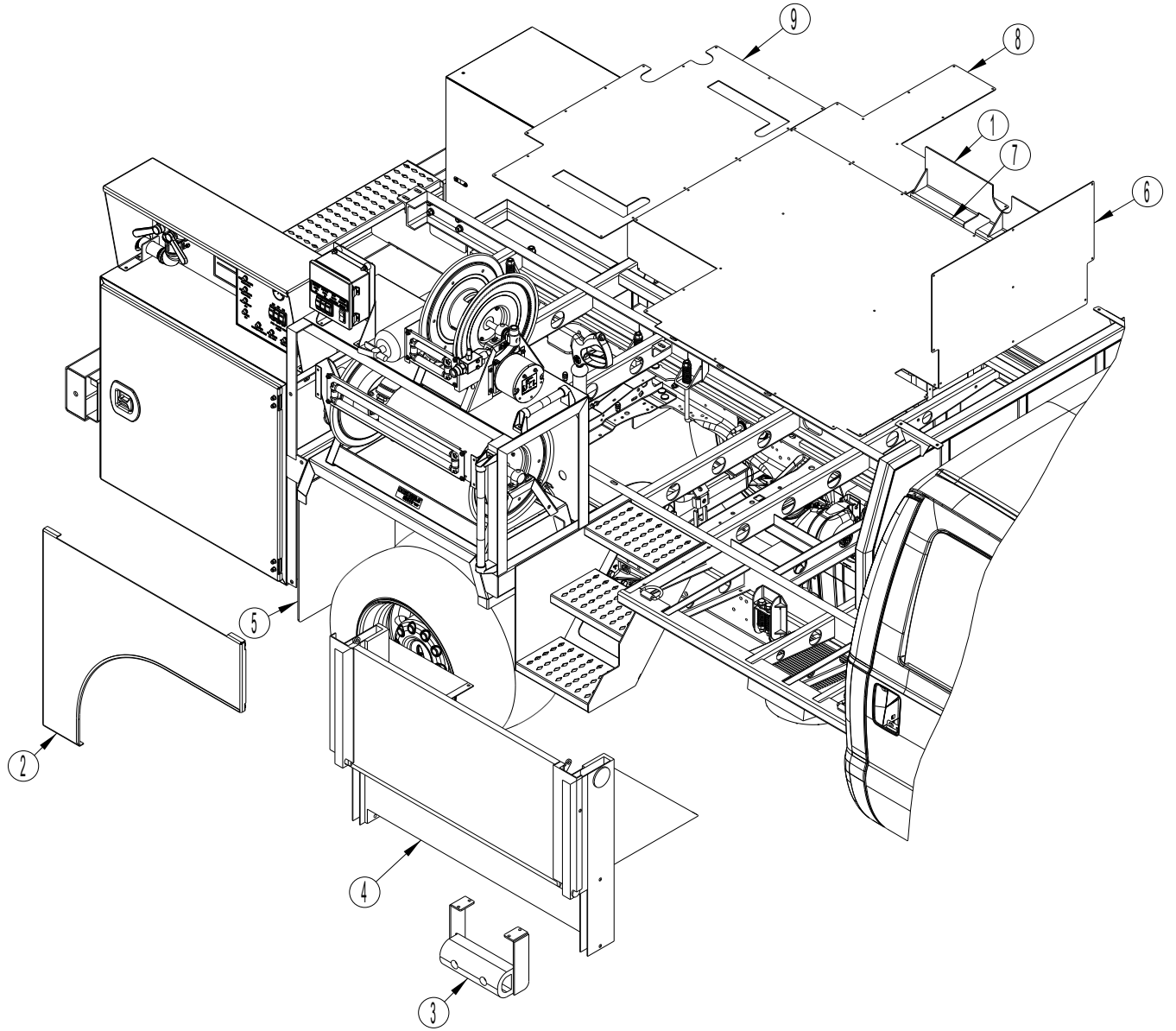
SIDING/DECKING AND EXTERNAL ATTACHMENTS



SIDING/DECKING AND EXTERNAL ATTACHMENTS

Item	Ref. No.	Qty.	Description
1	128-5500029-01	1	DS Front Panel Assembly
2	128-5500030-01	1	DS Rear Panel Assembly
3	128-5500034-01	1	CY5500SK Winch
4	220-0301001-01	1	Roller Winch Tread lead
5	231-0000SK1-01	1	20L Fuel Can Green W/Holder
6	411-0155001-01	1	Winch Mount

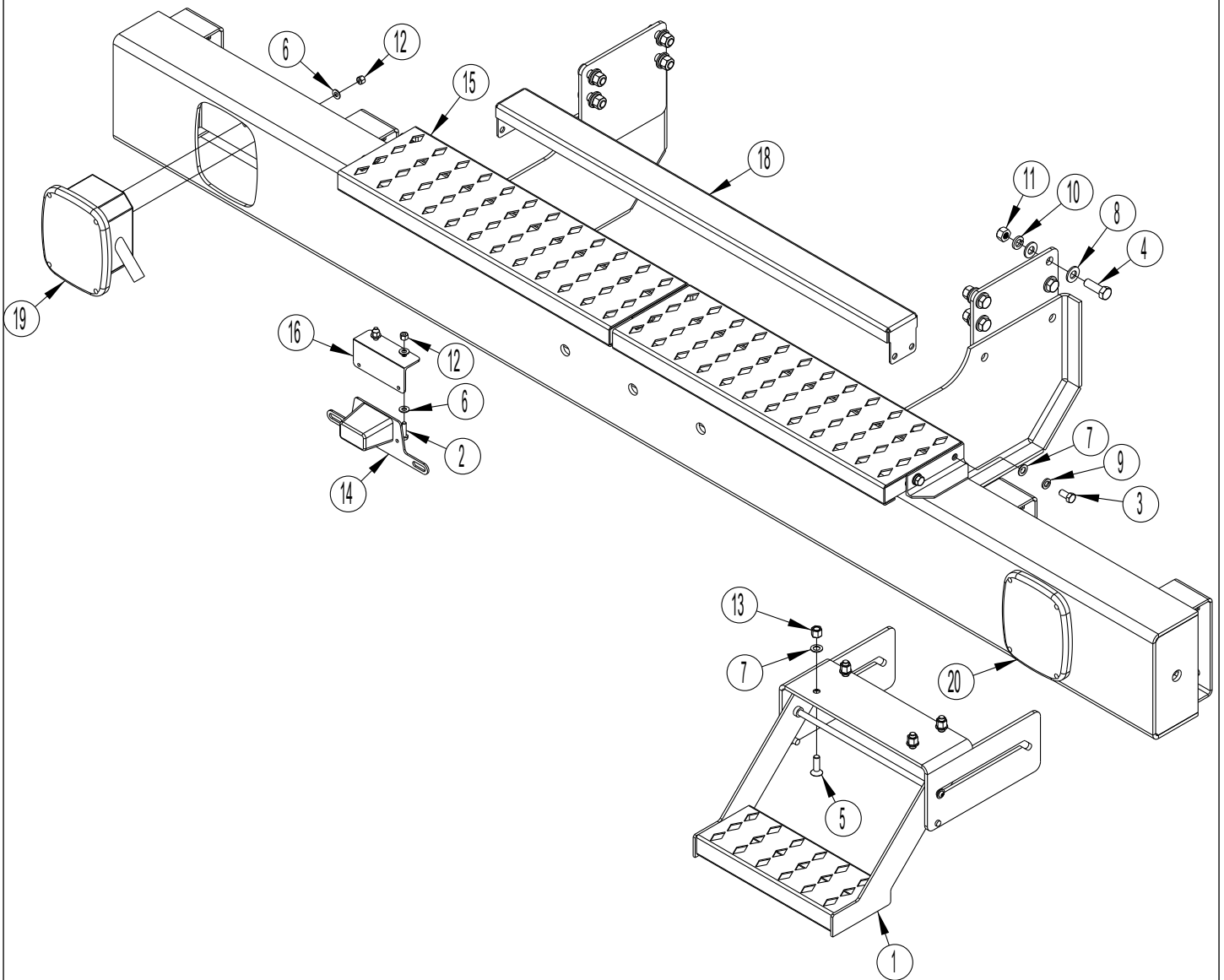
SIDING/DECKING AND EXTERNAL ATTACHMENTS (CONTINUED)



SIDING/DECKING AND EXTERNAL ATTACHMENTS (CONTINUED)

Item	Ref. No.	Qty.	Description
1	128-5500018-01	1	Hydraulic Reservoir Guard
2	128-5500031-01	1	PS Rear Panel Assembly
3	128-5500041-01	1	SK Bump Stop Bracket Assy.
4	128-SK00001-01	1	Lift Gate, CY5500SK, 1000LBS Aluminum
5	276-0300009-01	1	Modifications to Mud Flaps
6	320-0101524-01	1	Sub-Frame Front Panel
7	320-0101554-01	1	CY5500SK Main Deck Plate
8	320-0101557-01	1	CY5500SK Deck Plate 2
9	320-0101830-01	1	CY5500SK Deck Plate 3

REAR BUMPER ASSEMBLY



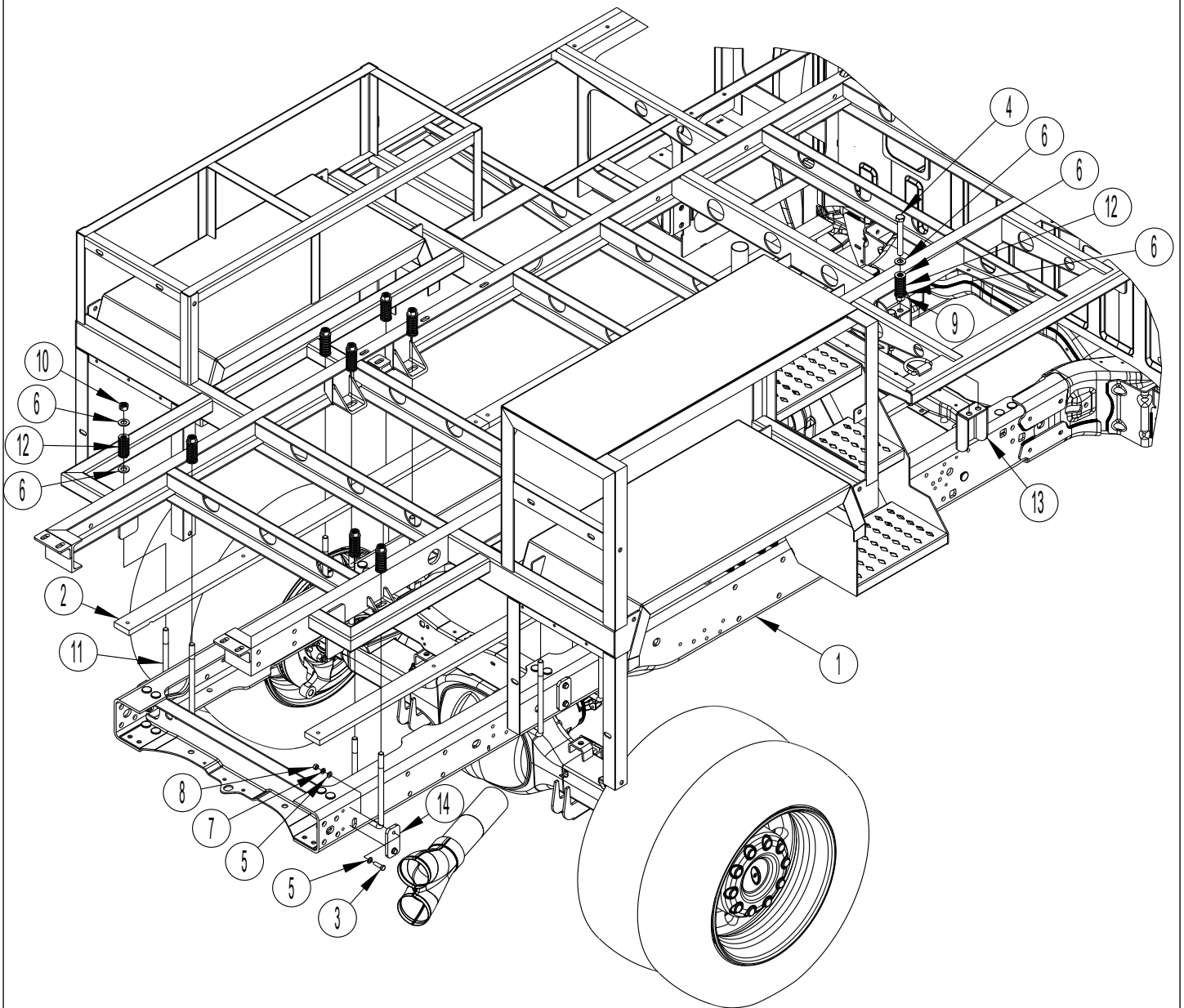
REAR BUMPER ASSEMBLY

Item	Ref. No.	Qty.	Description
1	128-5500028-01	1	Rear Bumper Step Assembly
2	204-0101004-07	2	Bolt, 1/4-20 X 1.0 Cap, G8, Zinc
3	204-0101027-07	4	Bolt, 3/8-16 X .75 Cap, G8, Zinc
4	204-0101046-07	8	Bolt, 1/2-13 X 1.5 Cap, G8, Zinc
5	204-0105012-02	4	Bolt, 3/8-16 X 1-1/4", FH, G8
6	204-0603003-07	10	Washer, 1/4", Flat, Zinc
7	204-0603006-07	8	Washer, 3/8" Flat, Hardened, SAE, Zinc
8	204-0603010-07	16	Washer, 1/2" Flat, Hardened, SAE, Zinc
9	204-0604003-07	4	Washer, 3/8" Lock, Zinc
10	204-0604005-07	8	Washer, 1/2" Lock, Zinc
11	204-0703007-07	8	Nut, 1/2-13, Hex, Zinc
12	204-0704002-07	6	Nut, Hex, 1/4-20 Lock, Nylon, Zinc
13	204-0704004-07	4	Nut, 3/8-16 Lock, Nylon, Zinc
14	223-0400021-01	1	License Plate Bracket
15	240-0800008-01	2	Ultra-Anti slip Steel Plank Grating
16	320-0101896-01	1	License Plate Bracket Mount
17	320-0101900-01	1	Bumper Step Link Plate
18	320-0101902-01	1	Bumper Guard
19	501-0101797-64	1	Driver Side Tail Light
20	501-0101797-65	1	Passenger Side Tail Light

Additional Components- Not Shown

A	218-0701017-01	4	Light, LED Taillight Replacement
---	----------------	---	----------------------------------

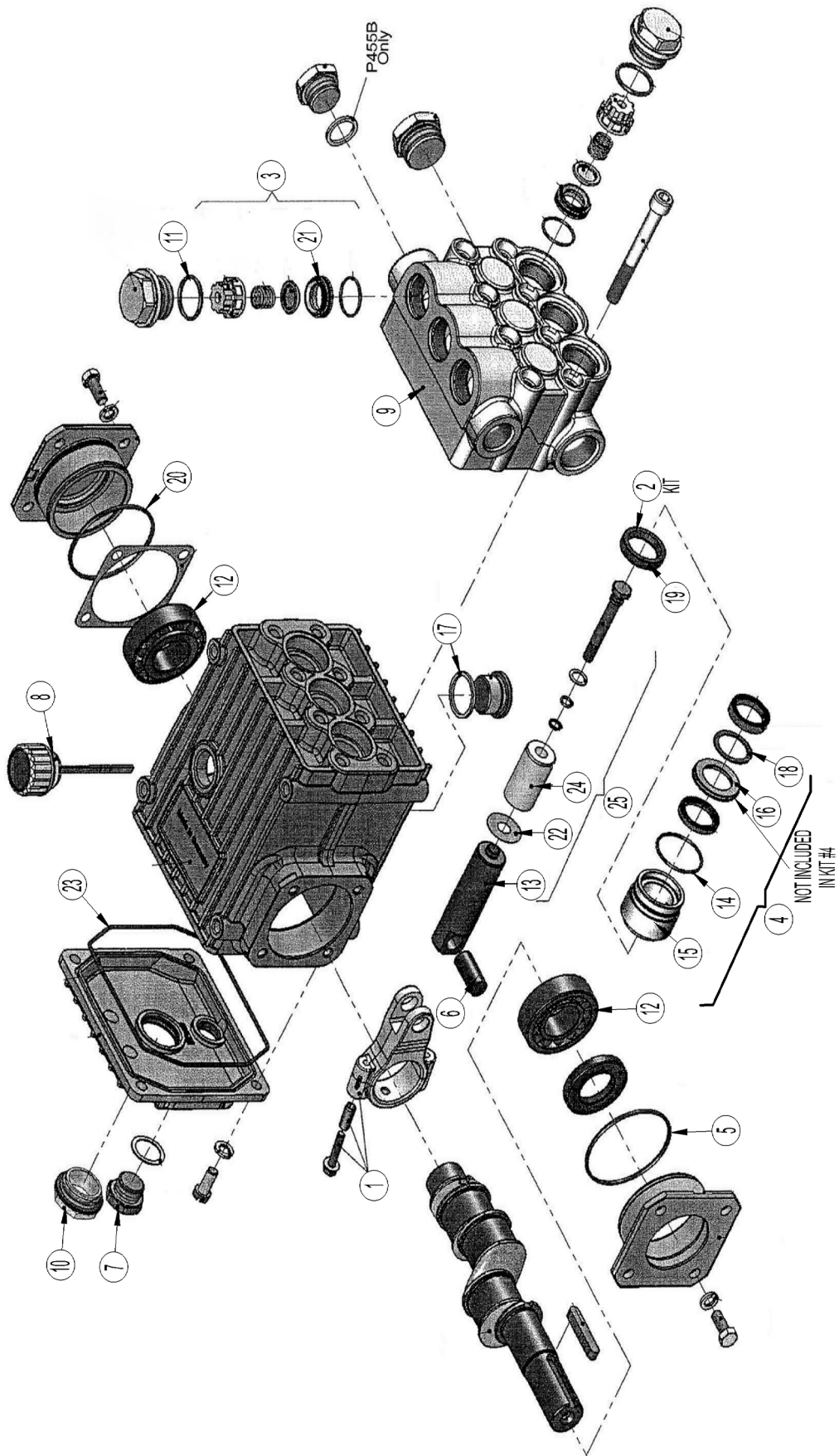
SUB-FRAME MOUNTING



SUB-FRAME MOUNTING

Item	Ref. No.	Qty.	Description
1	101-FD45001-01	1	Ford F450 STD Cab, 169 W/B SD
2	128-5500025-01	1	CY5500SK Sill Plate Assy
3	204-0101029-07	8	Bolt, 3/8-16 X 1.25 Cap, G8, Zinc
4	204-0101060-07	4	Bolt, 5/8-11 X 5.0 Cap, G8, Zinc
5	204-0603006-07	16	Washer, 3/8" Flat, Hardened, SAE, Zinc
6	204-0603013-07	36	Washer, 5/8" Flat, Hardened, SAE, Zinc
7	204-0604003-07	8	Washer, 3/8" Lock, Zinc
8	204-0703005-07	8	Nut, Hex, 3/8-16 G8, Zinc
9	204-0704009-07	4	Nut, 5/8-11 Lock, Nylon, Zinc
10	204-0704058-07	12	Nut, 5/8-18 Lock, All Metal
11	204-2500032-01	6	U-Bolt, 5/8-18 UNF, 4.375 X 10.438
12	246-0100014-01	16	Spring, Compression
13	320-0101793-01	2	Body Mount Lower Bracket
14	320-0101800-01	4	Lateral Fish Plate

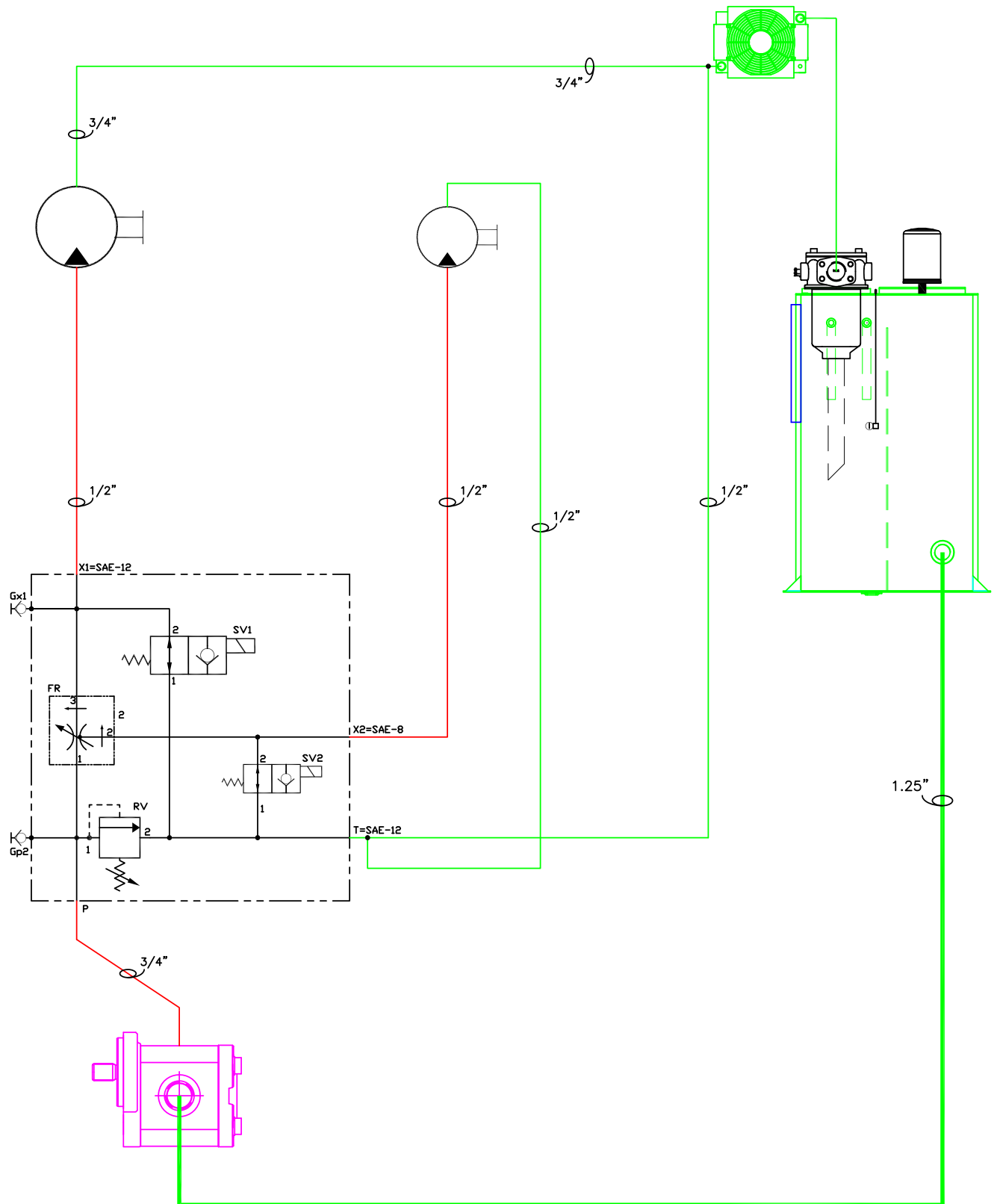
HIGH PRESSURE PUMP



HIGH PRESSURE PUMP

Item	Ref. No.	Qty.	Description
1	111-0701001-01	3	Connecting Rod, Giant P400-Series
2	116-4500016-01	1	Kit, Oil Seal
3	116-4500017-01	1	Discharge Valve Kit
4	116-4500018-01	1	Plunger Packing Kit
5	116-4506009-01	1	Seal, Radial Shaft Seal
6	204-2500022-01	3	Crosshead Pin, P400 Series
7	216-0802016-04	1	Oil Drain Plug
8	216-0814003-01	1	Plug, Oil Fill W/Gasket, Giant Pump
9	226-0600003-01	1	Pump Pressure Manifold
10	228-0100039-01	1	Oil Sight Glass W/ Gasket
11	228-0100058-01	6	O-Ring, Giant
12	228-0100058-02	2	Tapered Roller Bearing
13	228-0100059-02	3	Plunger, Base, Giant
14	228-0100069-01	3	O-Ring
15	228-1800001-01	3	Seal Casing, Giant
16	228-2000007-04	3	Seal, Weep Return Ring
17	228-2000010-01	1	Oil Drain Plug Gasket, Giant
18	228-2000012-01	3	Pressure Ring
19	228-2000017-01	3	Seal, Oil, Casing
20	228-2000033-01	2	O-Ring, Bearing Cover
21	228-2000034-01	6	Valve, Seat
22	228-2400003-01	3	Oil Slinger
23	228-2500005-01	1	O-Ring, Rear Oil Cover
24	242-0226006-01	3	Plunger Assy., 18mm
25	242-0413001-01	3	Plunger Pipe, Ceramic

HYDRAULIC SCHEMATIC



THIS PAGE INTENTIONALLY LEFT BLANK