

**OPERATION**

**SERVICE**

**PARTS**

**CARE**



## Ambassador Junior

**Model: C45014-01 (115V)**  
**C45014-02 (230V)**

## FOR COMMERCIAL USE ONLY

### IMPORTANT SAFETY INSTRUCTIONS

When using an electrical appliance, basic precautions should always be followed, including the following:

### READ ALL INSTRUCTIONS BEFORE USING

#### **WARNING** - To reduce the risk of fire, electric shock, or injury:

- Do not leave appliance when plugged in. Unplug from outlet when not in use and before servicing.

#### **WARNING**

To reduce the risk of electrical shock, do not expose to rain. Store indoors.

- Do not allow to be used as a toy. Close attention is necessary when used by or near children.
- Use only as described in this manual. Use only manufacturer's recommended attachments.
- Do not use with damaged cord or plug. If appliance is not working as it should, has been dropped, damaged, left outdoors, or dropped into water, return it to a service center.
- Do not pull or carry by cord, use cord as a handle, close a door on cord, or pull cord around sharp edges or corners. Do not run appliance over cord. Keep cord away from heated surfaces.
- Do not unplug by pulling on cord. To unplug, grasp the plug, not the cord.
- Do not handle plug or appliance with wet hands.
- Do not put any object into openings. Do not use with any opening blocked; keep free of dust, lint, hair, and anything that may reduce air flow.
- Keep hair, loose clothing, fingers, and all parts of body away from openings and moving parts.
- Do not pick up anything that is burning or smoking, such as cigarettes, matches, or hot ashes.
- Do not use without dust-bag and/or filters in place.
- Turn off all controls before unplugging.
- Use extra care when cleaning on stairs.
- Do not use to pick up flammable or combustible liquids such as gasoline or use in areas where they may be present.
- Connect to a properly grounded outlet only. See grounding instructions.

### SAVE THESE INSTRUCTIONS

# Table of Contents

<b>IMPORTANT SAFETY INSTRUCTIONS</b> .....	<b>2</b>
<b>INSPECTION</b> .....	<b>4</b>
<b>ELECTRICAL</b> .....	<b>4</b>
115V .....	<b>4</b>
230V .....	<b>4</b>
<b>WARNING</b> .....	<b>4</b>
<b>GROUNDING INSTRUCTIONS</b> .....	<b>4</b>
<b>DANGER</b> .....	<b>5</b>
<b>USER MAINTENANCE INSTRUCTIONS</b> .....	<b>5</b>
<b>DAILY MAINTENANCE</b> .....	<b>5</b>
<b>MONTHLY/BI-MONTHLY MAINTENANCE</b> .....	<b>6</b>
<b>CORD STORAGE</b> .....	<b>6</b>
<b>OPERATING INSTRUCTIONS</b> .....	<b>6</b>
<b>FILLING THE AMBASSADOR</b> .....	<b>6</b>
<b>CLEANING THE AMBASSADOR</b> .....	<b>6</b>
<b>AUXILIARY TOOL HOOK UP</b> .....	<b>7</b>
<b>CONTROL PANELS</b> .....	<b>8</b>
<b>EXPLODED VIEWS</b> .....	<b>10</b>
<b>TOP MAIN ASSEMBLY</b> .....	<b>10</b>
<b>BACK PANEL ASSEMBLY</b> .....	<b>12</b>
<b>BOTTOM MAIN ASSEMBLY</b> .....	<b>14</b>
<b>WIRING DIAGRAMS</b> .....	<b>17</b>
115V .....	<b>17</b>
230V .....	<b>18</b>
<b>RECOMMENDED CARPET CARE CHEMICALS and REPLACEMENT PARTS</b> .....	<b>19</b>
<b>WARRANTY</b> .....	<b>20</b>

## **INSPECTION**

Carefully unpack and inspect your machine for shipping damage. Each unit is tested and thoroughly inspected before shipment, and any damage is the responsibility of the delivery carrier who should be notified immediately.

## **ELECTRICAL**

### **115V**

This machine is designed to operate on a standard 15 amp, 115 volt, 60 hz, AC circuit. Voltages below 105 volts AC or above 125 volts AC could cause serious damage to the motor.

### **230V**

This machine is designed to operate on a standard 8 amp, 230 volt, 50 hz, AC circuit. Voltages below 210 volts AC or above 250 volts AC could cause serious damage to the motor.

## **WARNING**

Electric motors can cause explosions when operated near explosive materials or vapors. Do not operate this machine near flammable materials such as solvents, thinners, fuels, grain dust, etc.

## **GROUNDING INSTRUCTIONS**

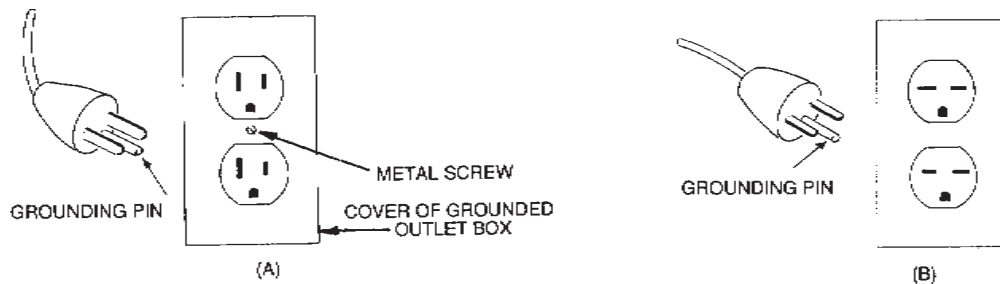
This appliance must be grounded. If it should malfunction or breakdown, grounding provides a path of least resistance for electric current to reduce the risk of electric shock. This appliance is equipped with a cord having an equipment-grounding conductor and grounding plug. The plug must be plugged into an appropriate outlet that is properly installed and grounded in accordance with all local codes and ordinances.

## DANGER

Improper connection of the equipment-grounding conductor can result in a risk of electric shock. Check with a qualified electrician or service person if you are in doubt as to whether the outlet is properly grounded. Do not modify the plug provided with the appliance — if it will not fit the outlet, have a proper outlet installed by a qualified electrician.

The 115V version of this appliance is for use on a nominal 120-volt circuit and has a grounding plug that looks like the plug illustrated in sketch A below. The 230V version of this appliance is for use on a nominal 230-volt circuit and has a grounding plug that looks like the plug illustrated in sketch B.

Make sure that the appliance is connected to an outlet having the same configuration as the plug. No adapter should be used with this appliance.



## USER MAINTENANCE INSTRUCTIONS

All service and repair should be performed by qualified vacuum service representative or electrician. No user serviceable components are employed in the electrical vacuum lid head assembly. No lubrication of the motor is required.

## DAILY MAINTENANCE

1. Solution tank should be emptied after each use. Flush pumping system with 2 or 3 gallons of clean hot water.
2. Check and clean vacuum inlet filter and solution inlet strainer daily.
3. Removable recovery tank should be rinsed clean daily.
4. Spray jets should be checked for correct spray pattern and cleaned if plugged. Spray jets are quick release 1/4 turn type. By twisting item 121 1/4 turn counter clockwise, jets can be removed for cleaning. Do not clean out spray tips with pins or wire, this may cause damage to the jet spray pattern and cause streaking.

5. Protect equipment from freezing. Severe pumping system damage can occur if allowed to freeze.
6. Inspect vacuum hoses for tight connections. Check electrical cable for abrasion or cuts in jacket. Cord should be replaced if worn or damaged.

## **MONTHLY/BI-MONTHLY MAINTENANCE**

The Ambassador Solution Pump System should be purged twice monthly to remove alkaline residue build-up. The system should be flushed twice, once with the jets installed and once with jets removed. To flush system out, use 1 quart of white vinegar to two gallons of clean hot water, followed by a clear 2 gallon rinse. Clean spray jets if required.

## **CORD STORAGE**

While not in use storage can be accomplished by winding cord around rear of machine. Cord hooks are provided.

- Do not use with damaged cord or plug. If appliance is not working as it should, has been dropped, damaged, left outdoors, or dropped into water, return to service center.
- Do not pull or carry by cord, use cord as handle, close a door on cord, or pull cord around sharp edges or corners. Do not run appliance over cord. Keep cord away from heated surfaces.
- Do not unplug by pulling cord. To unplug, grasp the plug, not the cord.
- Do not handle plug or appliance with wet hands.

This equipment should be stored indoors and not exposed to rain.

## **OPERATING INSTRUCTIONS**

### **FILLING THE AMBASSADOR**

Remove clear solution cover lid from front of machine. Fill solution tank with desired amount of warm water and add liquid cleaning chemical, Minuteman Extraction Shampoo order #902163. (See instructions on container for proper dilutions.) **DO NOT USE** powdered cleaning chemicals. Powders are unlikely to dissolve thoroughly, resulting in clogging the inline solution strainer. This can reduce or stop solution flow to the pump and spray jets.

Carpet should be thoroughly vacuumed and obstacles relocated before beginning the cleaning cycle. Heavy traffic lane areas should be pre-treated or spotted with Minuteman Pre-Treat order #902183 for best results.

### **CLEANING THE AMBASSADOR**

1. Always work away from the cord.
2. Machine operates by pulling backwards over carpet.

3. The vacuum lid assembly should be properly seated on the recovery tank for proper vacuum recovery.
4. See Control Panel section for switch identifications:  
**Normal Cleaning Mode:**
  1. Turn on vacuum switch (1).
  2. Turn on brush switch (2).
  3. Turn on pump switch to continuous (3).
  4. Adjust brush pressure at lower rear panel of machine, until brush pressure gauge reads in green zone (7).
  5. Solution pump should be turned off to the center switch position, (4), approximately 6" before the end of each cleaning pass.

During the cleaning cycle, care should be taken not to allow foam to build up in the recovery tank. If this should happen, the machine should be turned off. Defoamer order #910543 should be added to the recovery tank only, never into the solution tank. Foam should not be allowed to enter vacuum filter screen.

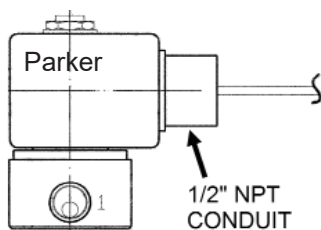
The recovery wastewater level can be viewed from the operator's position of the machine through the visible recovery dome. When waste water is within 2" of the top of the recovery tank, the tank should be emptied.

**NOTE:** Never tilt machine completely back with recovery tank in place. Always remove tank and set to the side before tilting complete machine.) Recovery tank can be emptied by lifting visible recovery dome and lifting out tank by front handle. A handle gripping area is provided in the front bottom of the recovery tank to tilt and pour the waste water out.

## AUXILIARY TOOL HOOK UP

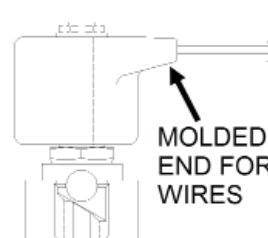
1. Remove grey hose fitting from clear recovery dome and install auxiliary hose assembly cuff to grey fitting by passing through rear of machine. Hook up solution hose to auxiliary out coupler at rear of machine.
2. Turn vacuum switch to on.
3. Turn pump auxiliary switch to on (page 5, item 6). All other switches should be off.

**NOTE:** To identify the Water Shutoff Solenoid, see Figures 1 & 2 below.



**FIG 1**

- 740492 (Parker)  
WATER SHUTOFF  
SOLENOID
1. Can be identified by 1/2" NPT Conduit.
  2. Port #1 - Outlet  
Port #2 - Inlet



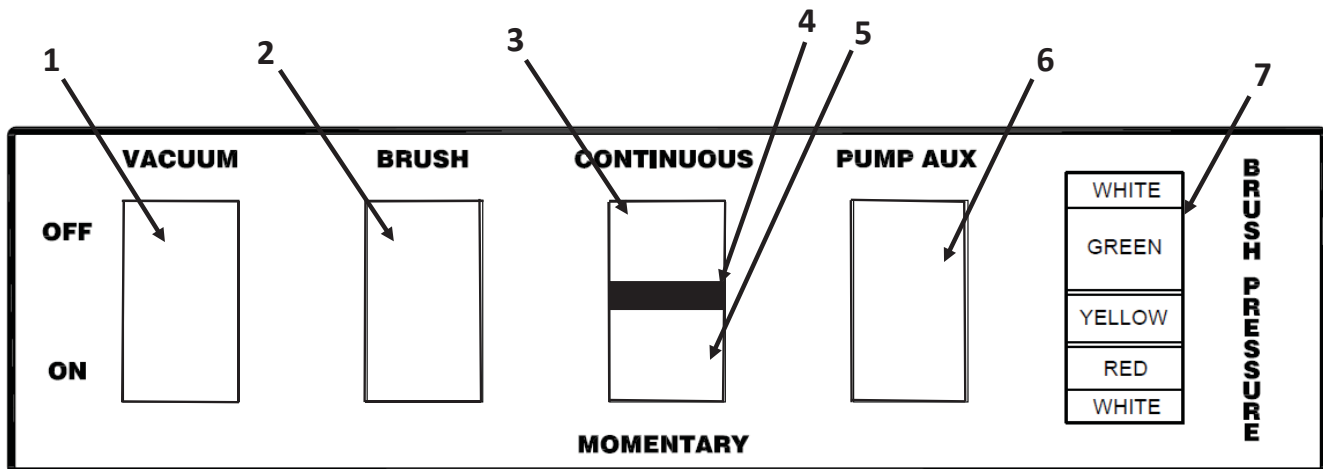
**FIG 2**

- 740245 (older versions)  
WATER SHUTOFF  
SOLENOID
1. Can be identified by molded end.
  2. Port #1 - Inlet  
Port #2 - Outlet

## CONTROL PANELS

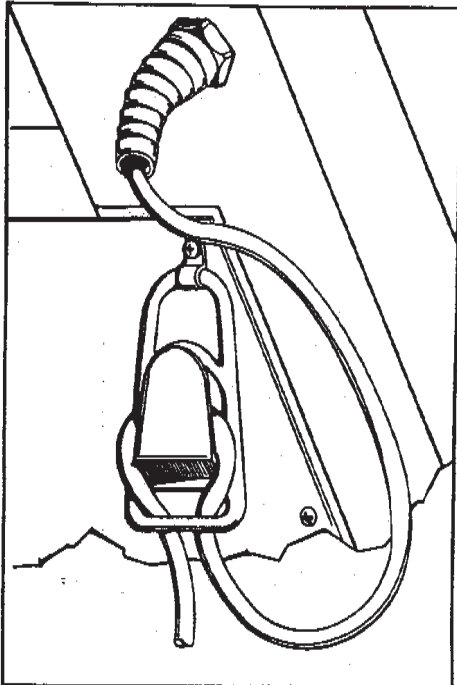
1. Vacuum switch
2. Brush switch
3. Pump spray switch, continuous operation position. Pump supplies solution to spray bar for cleaning in large open areas.
4. Center position is "off".
5. Momentary position is for intermittent spray for cleaning in smaller more confined areas. When released, switch will return to center off position.
6. Pump auxiliary when using separated floor tool or upholstery tool, switch must be switched to on position. See figure 2 for solution hose hook up - aux. out.
7. Brush pressure adjustment gauge.

The brush adjustment knob is located in the lower left back panel. Adjustments made to the brush pressure are shown on the brush pressure gauge (Item #7). Adjusting the brush past the green zone on gauge will shorten brush and brush drive motor life.

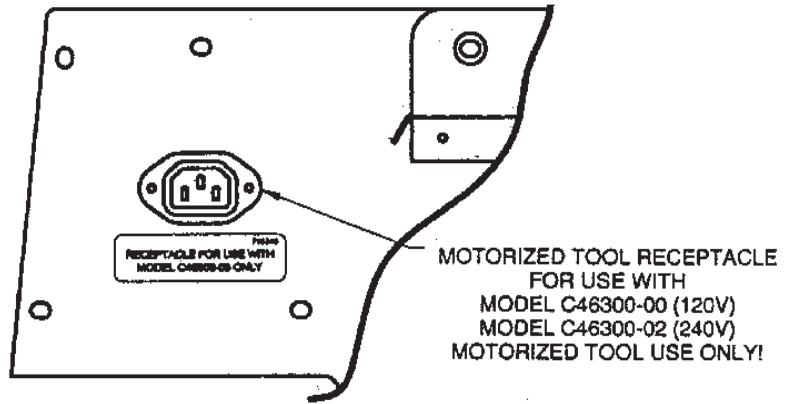




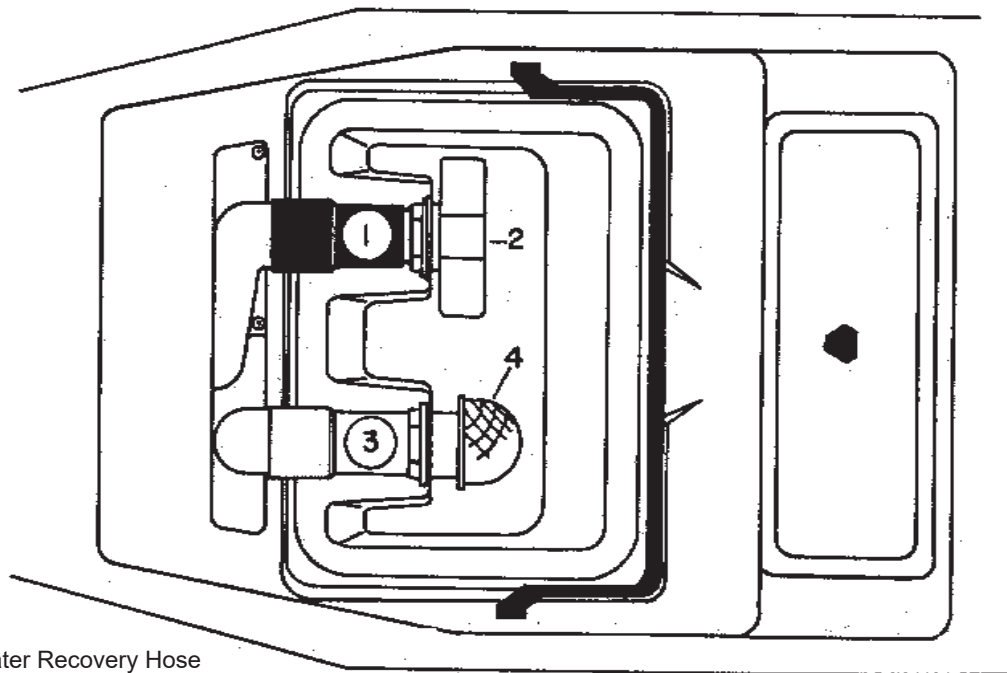
### CORD STRAIN RELIEF



### PARTIAL VIEW BACK PANEL



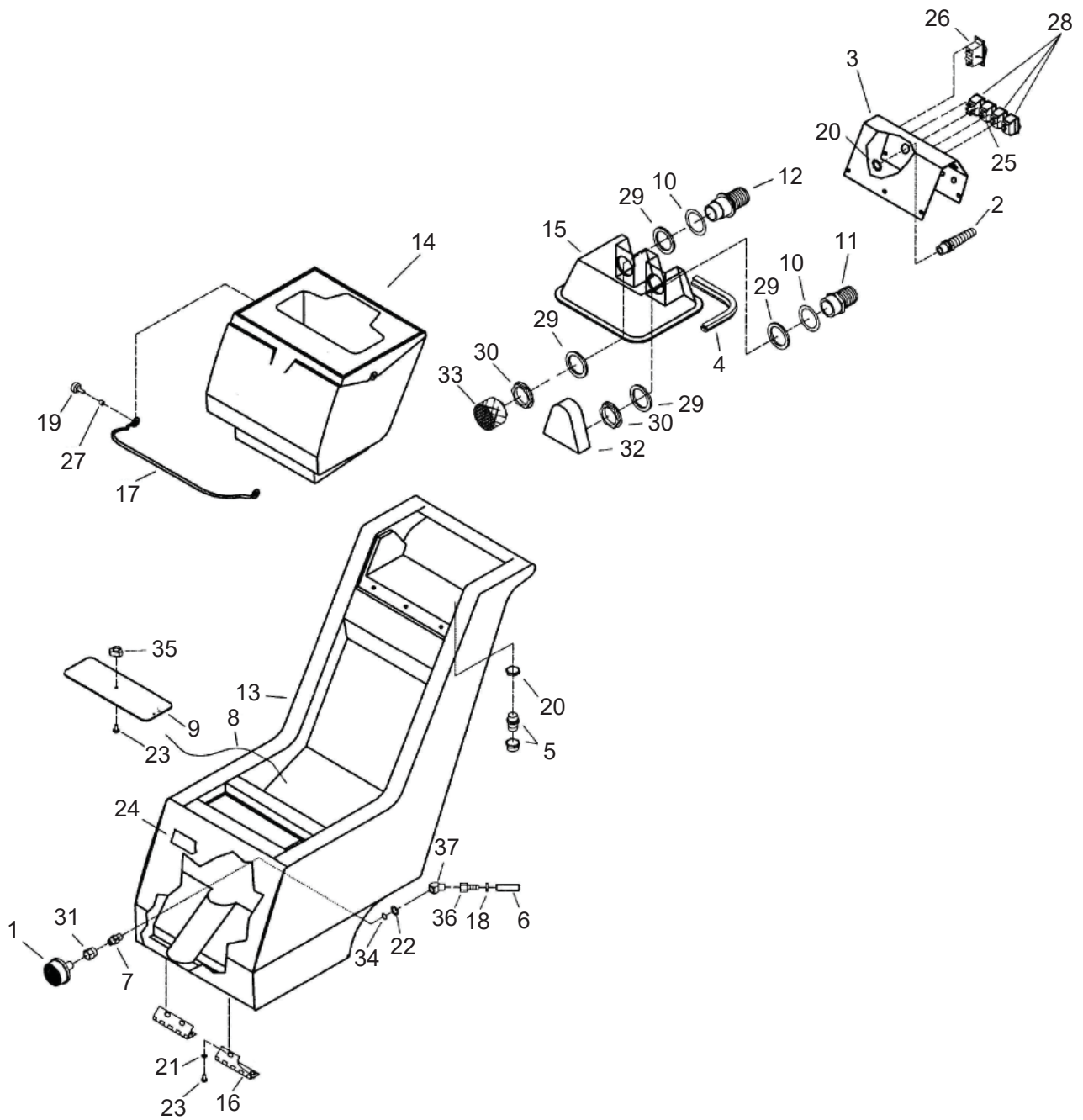
### OPERATOR VIEW VISIBLE RECOVERY SYSTEM



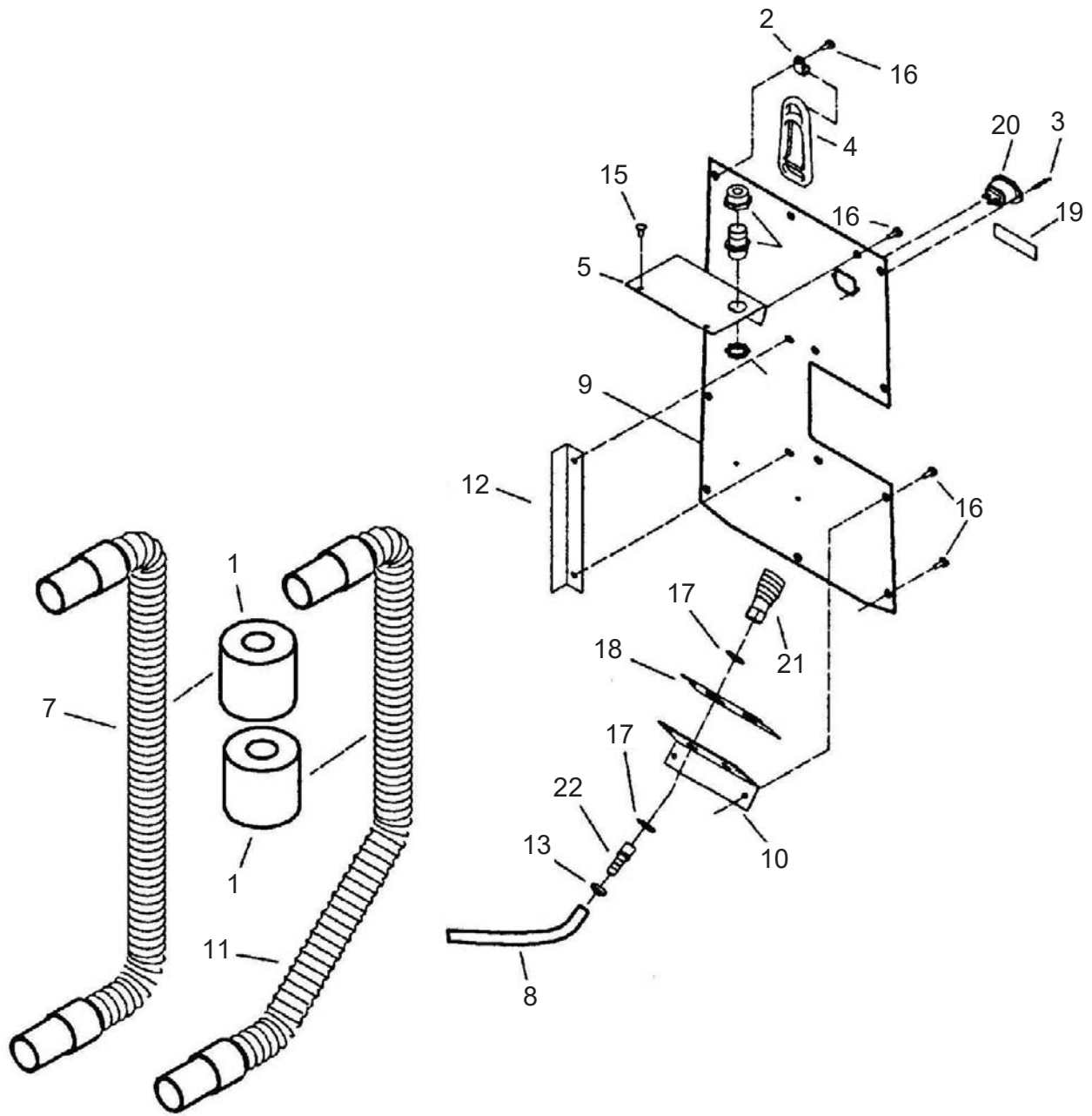
**FIG. 3**

1. Waste Water Recovery Hose  
(Grey hose cuff to grey fitting)
2. Recovery Waste Water Diffuser
3. Vac Hose White Cuff  
(White hose cuff to white fitting)
4. Vac Filter Screen

# EXPLODED VIEWS TOP MAIN ASSEMBLY

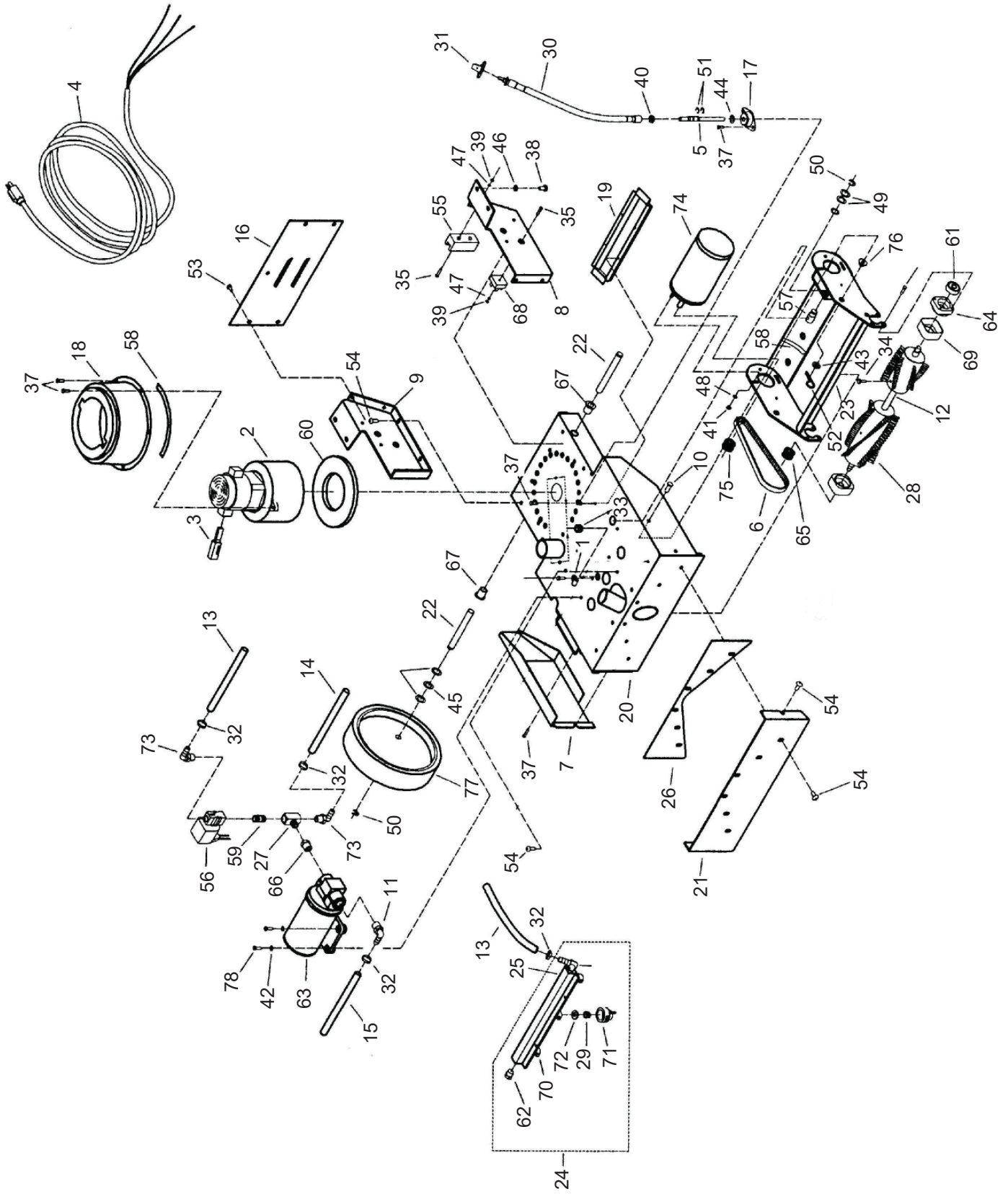


BILL OF MATERIAL			
ITEM	PART NO.	QTY	DESCRIPTION
1	130118	1	SOLUTION STRAINER M3-40
2	150004	1	RELIEF STRAIN HEYCO 3251
3	450043	1	DASHBOARD
4	450044	1	MOLDED RECOVERY DOME GASKET
5	450050	2	BUSHING HEYCO .875 X .875 X 1.
6	450057	1	HOSE 3/8 ID X 20.5
7	450059	1	FITTING BRASS 1/4 MPT 1/4 MPT
8	450062	1	CORD NYLON C/L 12"
9	450066	1	SOLUTION LID COVER
10	450081	2	WSR 1.908 X 2.41 X .03 SS
11	450082	1	INSERT FIT TA 102424 GREY
12	450083	1	INSERT FIT TA 102424 WHITE
13	450100MCHB	1	SOLUTION TANK JR BURGUNDY
14	450101B	1	TANK RECOVERY JR BURGUNDY
15	450102	1	RECOVERY DOME AMB JR
16	450112	2	HINGE AMB JR
17	450120PTD	1	HANDLE RECOVERY TANK AMB
18	452037	4	CLAMP CRIMP 170R SS
19	500033	2	LOCKING SCREW
20	711400	3	NUT-PIPE LOCK 1/2
21	711554	4	WSR-INTERNAL LOCK 1/4 ID
22	711594	11	WSR-FLAT .56 X .88 X .02 NI
23	712560	5	SCR-MCH 1/4-20 X .50 SS NYLOC
24	715385	1	DECAL MMN 1.4 X 9.68 LT GRY
25	740400	1	SWITCH MOMENTARY 15AMP
26	740402	1	GAUGE PRESSURE 0-3 (115V MODEL)
	740229		GAUGE-PRESSURE BRUSH 0-1.5 (230V MODEL)
27	762384	2	BUSHING .277 X .375 X .37 SS
28	809754	3	SWITCH ROCKER
29	828970	4	WSR NEOPRENE 1.87 X 2.4 X .125
30	828971	2	NUT 1 1/2 PIPE THREAD
31	829114	1	ADAPTER BR 3/8 FPT X 1/4 FPT
32	830448	1	DEFLECTOR
33	831621	1	FILTER-DOME VAC 1.5 #10
34	832326	1	O RING
35	833214	1	KNOB 3-SIDED 1/4 20 INSE
36	833473	1	FITTING BRASS 1/4 FPT 3/8 HOSE
37	833906	1	FITTING BRASS 45 1/4MPT 1/4 FPT



BILL OF MATERIAL			
ITEM	PART NO.	QTY	DESCRIPTION
1	169125	2	FILTER 1.44 X 3.5 X 3
2	381052	1	CLAMP PLASTIC 3/8 ID
3	410-4419AA	2	RIVET POP
4	450012	1	CORD STRAIN RELIEF
5	450036	1	COVER TOP AMB 17
6	450050	2	BUSHING HEYCO .875 X .875 X 1.
7	450053	1	VAC HOSE ASSY. WHITE SC17
8	450057	1	HOSE 3/8 ID X 20.5
9	450063	1	BACK PANEL ASSY AMB JR
10	450065	1	BRACKET QUICK DISCONNECT
11	450090	1	RECOVERY HOSE NEW STYLE
12	450109	1	L BRACKET BACK PANEL 450063
13	452037	4	CLAMP CRIMP 170R SS
14	711400	3	NUT-PIPE LOCK 1/2
15	711544	2	WSR-HELICAL 1/4
16	712101	19	SCR-MC HWSR 10-24 X .375 SS
17	712760	2	WSR-FLT .56 X 1.06 X .04 SS
18	715133	1	DECAL BRUSH ADJ. AMBASSADOR
19	715340	1	DECAL RECEIPT 115V (115V MODEL)
	715340-1		DECAL RECEIPT 230V (230V MODEL)
20	741038	1	RECEPTACLE-IEC 320
21	828370	1	BH2-60 FEMALE COUPLER
22	342435	2	FITTING-1/4MPT 3/8 HOSE BRASS

# BOTTOM MAIN ASSEMBLY

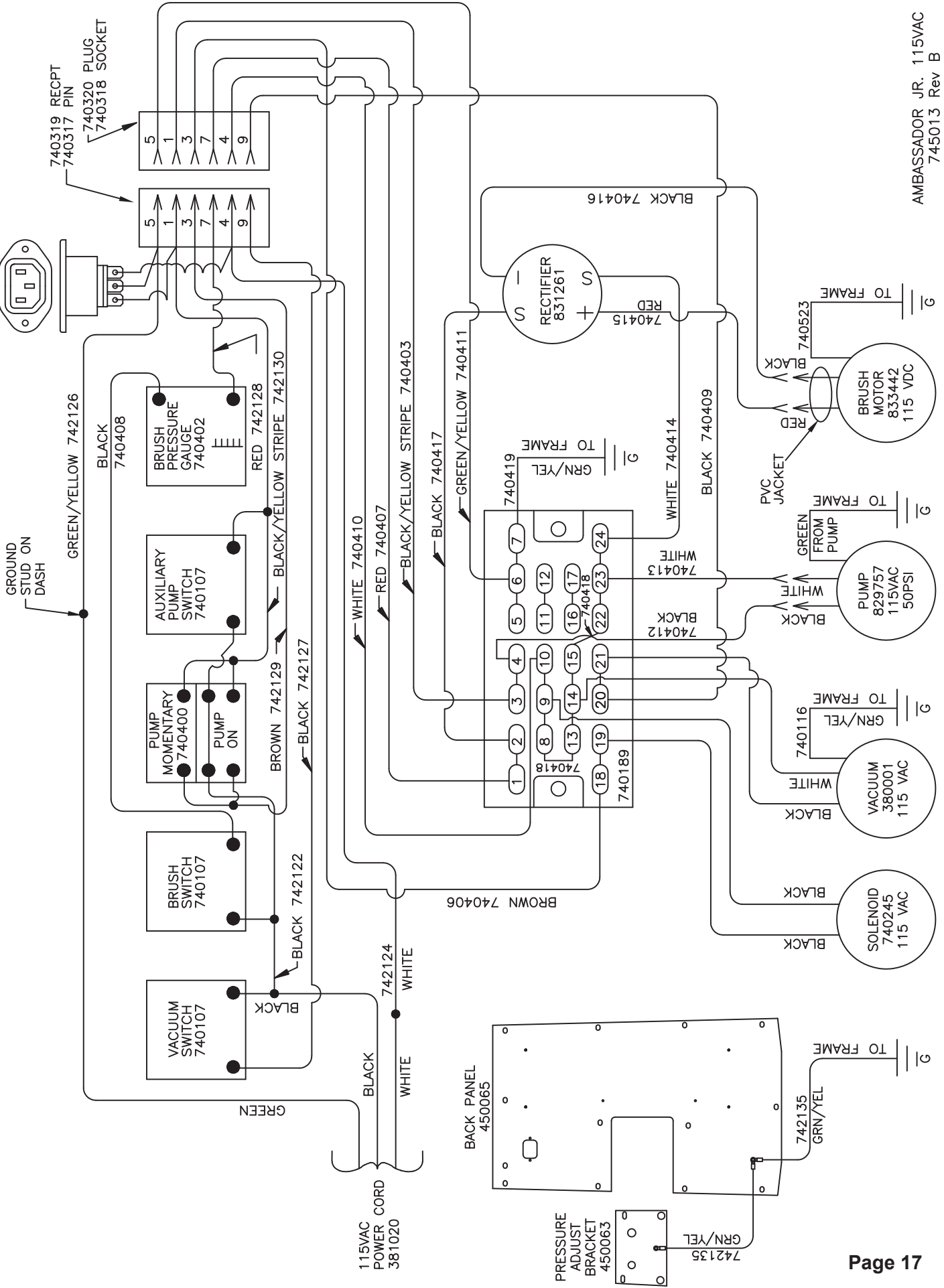


BILL OF MATERIAL			
ITEM	PART NO.	QTY	DESCRIPTION
1	250038	1	RETAINER, BAG CLIP
2	380001	1	VAC MOTOR 6336-00 120V (115V MODEL)
	740244		MOTOR-VAC 240V (230V MODEL)
3	380028	2	CARBON BRUSH REPLACEMENT
4	381020	1	CORD 16GA-3 50FT MED GREY (115V MODEL)
	740600		CORD, EUROPEAN 1.5MM 50FT GREY (230V MODEL)
5	450019	1	ADJ. ROD BRUSH
6	450022	1	BELT-BRUSH 399-3M-06K
7	450026	1	BELT GUARD SC17 PTD
8	450030	1	WHEEL WELL PLATE RH
9	450031	1	WHEEL WELL PLATE LH
10	450034	2	PIN CLEVIS 5/16 X .75
11	450040	1	ELBOW PLT 3/8 MPT X 3/8 BARB
12	450052	1	BRUSH SHAFT AMB. JR
13	450055	2	HOSE NYLO 3/8 ID X 9"
14	450056	1	HOSE NYLOBRAID C/L 21"
15	450057	1	HOSE 3/8 ID X 20.5
16	450064	1	LOWER REAR PANEL
17	450068	1	BEARING, FLANGE MOUNTED
18	450074PLT	1	MOTOR SHROUD ZINC PLATED
19	450104	1	VACUUM AIR MANIFOLD
20	450106	1	MAINFRAME WELDMENT
21	450110	1	FRONT SQUEEGEE PLATE
22	450111	1	AXLE REAR AMB JR
23	450113	1	BRUSH BRACKET WELDMENT
24	450116	1	SPRAY TUBE ASSY AMB JR
25	450117	1	SPRAY TUBE PVC
26	450118	1	FRONT PLATE NEOPRENE GASKET
27	450119	1	MALE BRANCH T 1/4 BRASS
28	450121	1	BRUSH CORE AMB. JR ASR
29	450122	3	UNIJET SPRAY TIP 6503
30	452010	1	CABLE FLEXIBLE ASSEMBLY
31	452029	1	KNOB 1520 X BLK 1/4 BRAS
32	452037	4	CLAMP CRIMP 170R SS
33	700287	1	GROMMET
34	710130	2	SCR-MC 8-32 X .62 NICKEL
35	710207	3	SCR-MC 6-32 X .87 ST PL
36	710528	8	SCR-MC 8-32 X .37 BR
37	711124	11	SCR-ST-B 10 X .37 ZINC
38	711202	2	BLT-HH 1/4-20 X .50 ST PL
39	711301	3	NUT-HEX 6-32 ST PL
40	711420	3	NUT-HEX JAM 5/16-18 ST PL

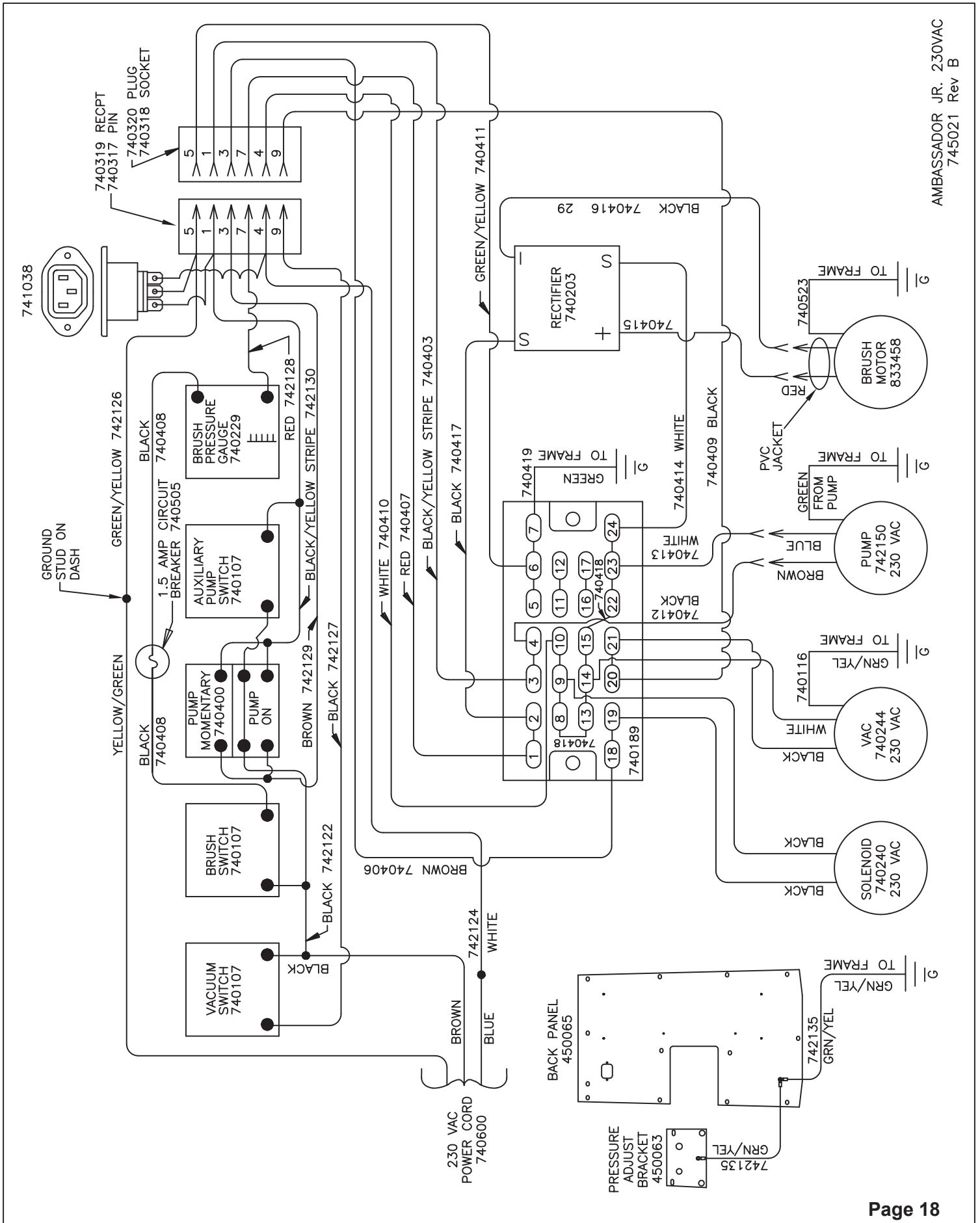
BILL OF MATERIAL			
ITEM	PART NO.	QTY	DESCRIPTION
40	711420	3	NUT-HEX JAM 5/16-18 ST PL
41	711427	2	NUT-FLANGED WIZZ 10-32
42	711503	4	WSR-FLAT #10
43	711506	2	WSR-FLAT (NARROW) 5/16 ST PL
44	711523	1	WSR-WAVE .37 X .68 X .08
45	711524	3	WSR-WAVE .52 X .87 X .01
46	711544	2	WSR-HELICAL 1/4
47	711552	3	WSR-INTERNAL LOCK #8
48	711553	7	WSR-INTERNAL LOCK #10
49	711594	11	WSR-FLAT .56 X .88 X .02 NI
50	711713	3	RET RING - E EXT. .50
51	711717	2	RET RING - E EXT. .37
52	711808	2	PIN - COTTER HAIRPIN #13
53	712101	19	SCR-MC HWSR 10-24 X .375 SS
54	712559	16	SCR-TR 1/4-20 X .62 TORX TR HD SEMS
55	740189	1	TERMINAL BLOCK-10471
56	740492	1	WATER SOLENOID 115V (115V MODEL)
	740240		SOLENOID-WATER 240V 50HZ (230V MODEL)
57	762257PLT	1	NUT, ADJUSTING RH ZINC DICROMATE
58	805042	1	GASKET
59	828981	1	FITTING BRASS NIPPLE 1/4MPT
60	828995	1	GASKET NEOP 2.5 X 6 X .62
61	829044	2	BEARING-BRUSH .3937 X 1.1811
62	829619	1	HEX HEAD PIPE PLUG 1/4 B
63	829757	1	50 PSI 115V FLOJET PUMP (115V MODEL)
	742150		PUMP-BYPASS 230V 50PSI (230V MODEL)
64	829758	2	BEARING BLOCK
65	829823	1	PULLEY HTD FLANGED 30T
66	830708	1	BUSHING BR 3/8 MPT X 1/4 FPT
67	831212	2	FLANGE BEARING
68	831261	1	RECTIFIER-12AMP 400V PY40F (115V MODEL)
	740203		RECTIFIER-BRIDGE 50A 1000V (230V MODEL)
69	831610	2	BRUSH SHIELD
70	833140	3	BODY INLET CONNECTOR
71	833141	3	CAP
72	833142	3	GASKET, CAP
73	833325	3	FITTING NYLON 90 1/4MPT 3/8HOS
74	833442	1	MOTOR BRUSH 1/8 HP 115V (115V MODEL)
	833458		MOTOR-PM 1/8HP 230VDC (230V MODEL)
75	833443	1	HTD FLANGED PULLEY 22 T.
76	840202	2	BUSHING-FLG .314 X .825 X .385
77	900008	2	8.00 DIA. WHEEL
78	711127	4	SCR-HI/LO 10-16 X 1.00 ZP



RECEPTACLE IEC 320  
741038





AMBASSADOR JR. 115VAC  
745013 Rev B



## RECOMMENDED CARPET CARE CHEMICALS and REPLACEMENT PARTS

<p><b>Extraction Shampoo</b> A highly concentrated low-foaming product. Contains detergents, emulsifiers, water-soluble solvents and optical brighteners for effective use in all types of carpet extraction equipment.</p>	<p><b>Product #</b> 902163</p>	<p><b>Back to 7</b> A mild acid formula that neutralizes alkaline residues and removes browning and de-icing salt residues.</p>	<p><b>Product #</b> 902053</p>
<p><b>Pre-Treat</b> A synthetic cleaner formulation used as a pre-spray to help speed the cleaning action of the shampoo process. Use for bonnet cleaning and also as an effective spotter.</p>	<p>902183</p>	<p><b>Take Charge</b> An effective, safe long lasting product designed to eliminate troublesome static electricity from carpet.</p>	<p>910033</p>
<p><b>Take-Out</b> An enzyme detergent spotter that dissolves protein carbohydrates, cellulose, vegetable oils, greases and both human and pet urine stains.</p>	<p>902198</p>	<p><b>Karpetreet II™</b> Contains DuPont "Teflon" carpet protector. A water-based, concentrated fluoro-chemical which forms a protective coating that inhibits resoiling of carpet.</p>	<p>902153</p>
<p><b>Carpet Spotter</b> A water-based spotter which contains organic solvents for use on spots created by material such as grease, tar and crayons</p>	<p>910678</p>	<p><b>SpinShield</b> Cleans and provides oil stain repellency to carpets in one step when spin-bonnet cleaning.</p>	<p>902073</p>
<p><b>Defoamer</b> A silicone-based defoamer for use in any cleaning equipment which generates foam.</p>	<p>910543</p>	<p><b>ExtracShield</b> An effective detergent system formulated with an optical brightener and carpet fiber protectant for use with hot water extraction equipment.</p>	<p>902063</p>
<p><b>Odor-Out</b> A concentrated water-based deodorant additive that can be sprayed, mopped or wiped on any surface that is not harmed by water.</p>	<p>902143</p>	<p><b>Carpet Spotting Kit</b> Contains five specialized carpet spot removers formulated to remove a wide assortment of stains from commercial and institutional carpeting. An easy to follow, color coded spotting guide simplifies effective spot removal with step-by-step instructions.</p>	<p>902000</p>

		<b>Part No.</b>	<b>Description</b>
A		828924	Hose Assembly
B		831255	Scrub Wand
C		390070	Stair & Upholstery Tool



## Minuteman International Made Simple Commercial Limited Warranty

### REVISION O EFFECTIVE 4/1/2016

Minuteman International, Inc. warrants to the original purchaser/user that the product is free from defects in workmanship and materials under normal use. Minuteman will, at its option, repair or replace without charge, parts that fail under normal use and service when operated and maintained in accordance with the applicable operation and instruction manuals. All warranty claims must be submitted through and approved by factory authorized repair stations.

This warranty does not apply to normal wear, or to items whose life is dependent on their use and care, such as belts, cords, switches, hoses, rubber parts, electrical motor components or adjustments. Parts manufactured by Minuteman are covered by and subject to the warranties and/or guarantees of their manufacturers. Please contact Minuteman for procedures in warranty claims against these manufacturers.

**Special warning to purchaser** -- Use of replacement filters and/or pre-filters not manufactured by Minuteman or its designated licensees, will void all warranties expressed or implied. A potential health hazard exists without original equipment replacement.

All warranted items become the sole property of Minuteman or its original manufacturer, whichever the case may be.

Minuteman disclaims any implied warranty, including the warranty of merchantability and the warranty of fitness for a particular purpose. Minuteman assumes no responsibility for any special, incidental or consequential damages.

This limited warranty is applicable only in the U.S.A. and Canada, and is extended only to the original user/purchaser of this product. Customers outside the U.S.A. and Canada should contact their local distributor for export warranty policies. Minuteman is not responsible for costs or repairs performed by persons other than those specifically authorized by Minuteman. This warranty does not apply to damage from transportation, alterations by unauthorized persons, misuse or abuse of the equipment, use of non-compatible chemicals, or damage to property, or loss of income due to malfunctions of the product.

If a difficulty develops with this machine, you should contact the dealer from whom it was purchased.

This warranty gives you specific legal rights, and you may have other rights which vary from state to state. Some states do not allow the exclusion or limitation of special, incidental or consequential damages, or limitations on how long an implied warranty lasts, so the above exclusions and limitations may not apply to you.

<b>Model</b>	<b>Parts</b>	<b>Labor</b>	<b>Poly</b>	<b>Travel**</b>
Cord Electric Group	5yrs	3yrs	12yrs	90 days
Battery Operated Group	5yrs	3yrs	12yrs	90 days


***Exceptions.....***

<b>Model</b>	<b>Parts</b>	<b>Labor</b>	<b>Poly</b>	<b>Travel**</b>
Port A Scrub, all models	1yr	6months	12yrs	90 days
A3S Blower	1yr	1yr	0	0
Phenom Dual Motor Upright Vacuums	2yrs	2yrs	0	0
Explosion Proof Vacuum	1yr	1yr	0	0
Propane Burnisher	1yr	1yr	0	90 days
**Travel, 2 hours max				

<i>Stand-alone Battery Chargers:</i>	One year
<i>Replacement Parts:</i>	Ninety days
<i>Batteries:</i>	0-3 months full replacement, 4-12 months pro-rate
<i>Polypropylene Plastic Tanks:</i>	12yr warranty, no additional labor

# ***“Excellence Meets Clean”***

**Minuteman is a Full Line Manufacturer of Sweepers and Scrubbers,  
for Industrial Facilities.**



14N845 U.S. Route 20, Pingree Grove, IL 60140 USA  
Phone (800) 323-9420 - [www.minutemanintl.com](http://www.minutemanintl.com)  
*A Member of the Hako Group*